

2019  
PRICE CATALOG

*Americana*<sup>TM</sup>  
CAPITAL *series*



Supersedes all prior versions  
Effective February 2019

# CONTENTS

---



## General Information

Contact Information	1
Policies & Procedures	2-6
Capital Series Order Form	7
Cabinet Specifications	8-9
Custom Modifications	10-12
Product Awareness	13
Door Styles	14-15
Finishes	16-17
Finish Agreement	18
Cabinet Care and Cleaning	19

## Cabinets

Wall Cabinets	20-33
Base Cabinets	36-46
Universal Access Cabinets	48-55
Tall Cabinets	56-61
Vanity Cabinets	62-71

## Accessories & Details

Wall Accessories	34-35
Base Accessories	47
Details	72-75
Molding	76-77
Sales Support Tools	78-79
Finishing & Parts	80

Warranty	81
----------	----

---



## INDEX BY NOMENCLATURE

2TC18	Double Trash Can Base Cabinet	46
2TCD18	Double Trash Can Base Cabinet with Drawer	46
3012-4242	12" - 42" High Wall Cabinets	20-25
ACH30-36	Arch Canopy Wood Hood	34
B12-B48	Base Cabinets	36-37
B3/4	Batten Molding	76
BB10	Bar Bracket	35
BEP-BEP6	Base End Panel	47
BLS36	Base Lazy Susan - 1/2" Overlay	42
BLOCKS-M	Color Block	78
BM	Base Molding	77
BMC27-BMC36	Base Microwave Cabinet	40
BS	Base Skins	72
BT9	Base Tray Divider Cabinet	36
BTD12-BTD36	Base Triple Drawer	40
BWPS24-BWPS36	Base Cabinet w/ Pullout Shelves	39
C2430-C4842	Blind Corner Wall	29-31
C3/4	Corner 3/4 Molding	76
CAP	Cap Molding	77
CB36-CB48	Corner Blind Base	45
CBK-CS	Capital Color Block Kit	78
CE	Counter Edge Molding	77
CF3-CF342	Corner Filler	73
CM8-CM10	Crown Molding 8 & 10	76
CRB33-CRB39	Country Sink/Range Base	38
CS33-CS36	Corner Susan Base	43
CSB33-CSB36	Corner Sink Base	43
CS-RCK	Capital Door Rack Only	79
CVS24B-CVS3618B	Combination Vanity Sink Base	64
CVS24BT-CVS3618BT	Tall Combination Vanity Sink Base	70
DC2430-DC2742	Diagonal Corner Wall	27
DCSB36	Diagonal Corner Sink Base	44
DCSF-DSCF42	Diagonal Corner Sink Front	41
DEP	Desk End Panel	47
DO3084-DO3696	Double Oven Cabinets	59
DS2430-DS2742	Diagonal Corner Susan Wall	27
DSK-CS	Dealer Starter Kit	79
DSP-CS	Dealer Display	79
F3-F696	Fillers	73
FAD-Hinges	1-9/16" Overlay Hinges	80
FBP4896-FBP9648	Finished Back Panel	73
FSFK	Framed Sample Fronts	78
HAD-Hinges	1/2" Overlay Hinges	80
IC3/4	Inside Corner 3/4 Molding	76
ISC-Hinges	Soft-Close Hinges	80
LNRWH30-36	Liner (Canopy Hood)	34
LRM	Light Rail Molding	76

## INDEX BY NOMENCLATURE



MBEP .....	Matching Base End Panel .....	46
MTEP1284-MTEP2496 .....	Matching Tall End Panel .....	61
MVEP-MVEP18 .....	Matching Vanity End Panel .....	66
MVEPT-MVEP18T .....	Tall Matching Vanity End Panel .....	71
MW2730-MW3042 .....	Microwave Wall .....	28
MWEP30-MWEP42 .....	Matching Wall End Panel .....	33
O2784-O3396 .....	Oven Cabinets .....	58
OBSL36 .....	Base Lazy Susan - 1 9/16" Overlay .....	42
OD27-OD33 .....	Oven Drawer .....	57
OCM .....	Outside Corner .....	77
OM135 .....	135° Outside Molding .....	77
PB36-PB48 .....	Peninsula Base Cabinets .....	42
PRICE-CS .....	Price Book - Capital Series .....	78
PW3018-PW3630 .....	Peninsula Wall Cabinets .....	32
REP2484E-REP2496E .....	Refrigerator End Panel - Edgebanded, 3/4" .....	74
REP2484-REP2496 .....	Refrigerator End Panel .....	74
RBM .....	Round Base Molding .....	77
RM .....	Rope Molding .....	76
RW3312-RW3924 .....	Refrigerator Walls .....	26
S1 1/4 .....	Scribe 1 1/4 Molding .....	76
S3/4 .....	Scribe 3/4 Molding .....	76
SCB54-60 .....	Corner Blind Sink Base .....	45
SCF_CML-SCF_CMR .....	Cabinet Mounting Bracket .....	80
SCFA15-SCFA24 .....	Full Access Drawer Guide Sets .....	80
SCH30-36 .....	Straight Canopy Wood Hood .....	34
SCVMD .....	Small Cove Molding .....	76
SCW2430-SCW2442 .....	Square Corner Wall .....	31
SD .....	Sample Doors .....	78
SF24-SF36 .....	Sink Front .....	41
SFF24-SFF4242 .....	Sink Front Flooring .....	47
SHV .....	Shelving .....	73
SIGN-CS .....	Capital Display Sign .....	79
SKP1812-SK3624 .....	Shelf Kits, Plywood .....	74
SM .....	Shoe Molding .....	77
SRB24-SRB48 .....	Sink/Range Base Cabinets .....	37
SSB36 .....	Super Susan Base .....	44
SSK15-SSK24 .....	Sliding Shelf Kits .....	75
STAIN .....	Pint of Stain .....	80
TC18 .....	Trash Can Base Cabinet .....	46
TRI-CS .....	Trifold-Capital Series .....	78
TSC4 .....	Toe Space Cover .....	74
TSC8 .....	Universal Access Toe Space Cover .....	54
TUK .....	Touch Up Kit .....	80
U181284-U362496 .....	Utility Cabinets .....	60
UAB12-UAB36 .....	Universal Access Base Cabinets .....	48
UABFH18-UABFH36 .....	Universal Base Cabinet with Full Height Door .....	49
UABMC27-UABMC36 .....	Universal Access Base Microwave .....	52
UACB36-UACB48 .....	Universal Access Corner Blind Base .....	53
UACSB33-UACSB36 .....	Universal Access Corner Sink Base .....	51
UADB12-UADB24 .....	Universal Access Drawer Base .....	50
UADCSB36 .....	Universal Access Diagonal Corner Sink Base .....	52



## INDEX BY NOMENCLATURE

UAFSB30-UAFSB36 . . . . .	Universal Access Floating Sink Base Cabinet	49
UAMBEP . . . . .	Universal Access Matching Base End Panel	54
UAO3084-UAO3684 . . . . .	Universal Access Oven Cabinets	55
UASSB36 . . . . .	Universal Access Super Susan Base	51
UATC15 . . . . .	Universal Access Trash Base Cabinet	54
UCM8 . . . . .	Universal Crown Molding	76
UMW3030-UMW3042 . . . . .	Universal Microwave Wall	28
US2496 . . . . .	Utility Skins	72
USK18-USK36 . . . . .	Utility Sliding Shelf Kits	75
V48-V72 . . . . .	Straight Valance	35
VB12-VB2418 . . . . .	Vanity Bases	62
VB12T-VB2418T . . . . .	Tall Vanity Bases	68
VDB12-VDB2418 . . . . .	Vanity Drawer Base	67
VKD36-VKD3618 . . . . .	Vanity Knee Drawer	66
VNT-01 . . . . .	Ventilator (250 CFM)	34
VS-18VS . . . . .	Vanity Skins	72
VS24B-VS3618B . . . . .	Vanity Sink Base with Drawer Blanks	63
VS24BT-VS3618BT . . . . .	Tall Vanity Sink Base with Drawer Blanks	69
VS24-VS3618 . . . . .	Vanity Sink Base	62
VS24T-VS3618T . . . . .	Tall Vanity Sink Base	68
VS36-VSB5418 . . . . .	Vanity Sink Base with Drawers	63
VS36T-VSB5418T . . . . .	Tall Vanity Sink Base with Drawers	69
VSD60-VSD6018 . . . . .	Combination Vanity Sink Drawer Base	64
VSD60T-VSD6018T . . . . .	Tall Combination Vanity Sink Drw Base	70
VSDE57-VSDE5718B . . . . .	Vanity Sink Base Extended Stiles	65
VSDE57T-VSDE5718BT . . . . .	Tall Vanity Sink Base Extended Stiles	71
VSSK15-VSSK2418 . . . . .	Vanity Sliding Shelf Kits	75
VTD12T-VTD2418T . . . . .	Tall Vanity Triple Drawer Base	67
WR2430-WR3018 . . . . .	Wine Racks	35
WS42 . . . . .	Wall Skins	72

## CONTACT INFORMATION

---



**2212 Airport Blvd.  
Alexander City, AL 35010  
(800) 846.2562**

### To Order, Email or Fax

---

Orders are accepted 24 hours a day by fax or by email on the Americana Capital Series order form or a computer design program (2020 Design, ProKitchen & Quick Quote)

	EXT.	EMAIL	DIRECT FAX
--	------	-------	------------

### ACCOUNT SERVICES

ACCOUNT REP			
Crystal Thornton	233	<a href="mailto:cth Thornton@wellbornforest.com">cth Thornton@wellbornforest.com</a>	256.215.3303
Tracey Denney	227	<a href="mailto:tdenney@wellbornforest.com">tdenney@wellbornforest.com</a>	256.215.3325



## POLICIES & PROCEDURES

### Questions and Information

For questions and information regarding our policies and procedures, please call Customer Service at (800) 846-2562.

### Placing an Order

Wellborn Forest accepts orders 24 hours a day by fax or by email on the Wellborn Forest order form or a computer design program (2020 Design & ProKitchen).

Customer Service Emails & Faxes:

- cthornton@wellbornforest.com /256.215.3303
- tdenney@wellbornforest.com /256.215.3325

### To Place an Order

1. Orders may be placed using order forms provided by Wellborn Forest (free of charge), or a computer design program form of the following:

- 2020 Design - fax or email the 2020 manufacturer codes quote report along with a Capital Series order form with specifics as a cover page (\*When emailing, export report as a pdf or html file).
- Wellborn Forest nomenclature must be used to avoid delays in processing.

2. Specify on each order the **finish, door style, species, hinge preference** (left, right or both), and **drawer box**. **\*Please remember when placing an order, only one door style, finish and box style per order!**

3. Specify **shipping method** (truckload, cycle truck, or customer pickup), and **Customer Purchase Order #**.

4. Orders are entered for production on a first entered/first scheduled basis. Orders exceeding our daily capacity will be entered to produce on the next production schedule.

### Cut-Off Time

Wellborn Forest ships within an ten (10) working day lead-time schedule. To ensure that your delivery arrives within the lead-time schedule, you may place your order **in advance** or on your **ZONE Cut-off Day**. The cut-off date is actually the **last day** that you may **make changes to** an order. See chart below for ZONE Cut-off times.

	CUT-OFF DATE	CUT-OFF TIME	SUBMIT CHANGES TO ORDERS BY
ZONE A	Monday	8:00 am CST	Noon
ZONE B	Tuesday	8:00 am CST	Noon
ZONE C	Wednesday	8:00 am CST	Noon
ZONE D	Thursday	8:00 am CST	Noon
ZONE E	Friday	8:00 am CST	Noon

### Order Processing

Wellborn Forest enters orders using the nomenclature listed in this Price Catalog.

Itemized order acknowledgements are faxed by 10:00 am on your Cut-off Date. It is the customer's responsibility to check the itemized order confirmation for accuracy and notify account services immediately if a change is necessary. If you do not receive an acknowledgement by 10:00 am, consider that we did not receive the order and contact account services.

### Change Order Procedures

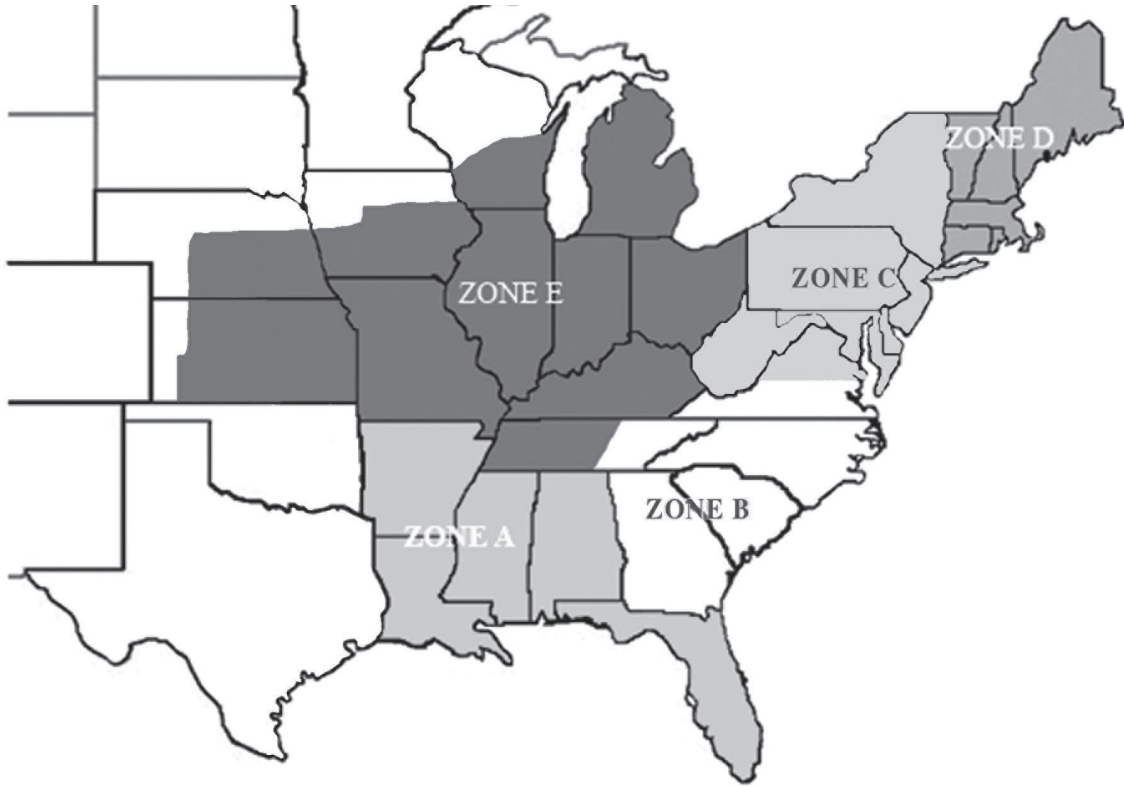
**Review of orders and changes must be submitted no later than 24 hours after receipt of confirmation or no later than (12:00pm) CST on your cut-off day, depending on which is earliest.** Please be aware that changes to orders between the time you send Wellborn Forest the order and receipt of itemized acknowledgement may result in duplication of order. Changes to orders should be made to the itemized order confirmation to avoid production delays. (If we do not hear from you, we will assume the acknowledgement correctly reflects your cabinet order.) All changes or corrections to orders must be faxed. Changes to orders such as: complete door style, wood species, or finish change will result in cancellation of the order and reorder for the next available production week.

Changes, including cancellations, made to orders after (12:00pm) CST on your Cut-off Date will be subject to a 25% (of the cost of the item) Change Order Processing fee. These changes will delay the production and shipment of the order until the next available production date for your zone. **No changes will be allowed 48 hours after cut-off or on Custom Modification cabinets. All changes or corrections to orders must be faxed.**

Cancellations and change requests will not be accepted for any orders received that are tagged **WFex**. Due to the efforts of our purchasing department to order and receive goods in a short amount of time, we find many times that these orders are already produced, packaged and due to be shipped when cancellation and change requests are made. As a result, we will no longer accept cancellations or changes on those orders.

### Pricing Discrepancy

Wellborn Forest strives to insure all pricing programs are identical to avoid pricing/quoting errors. If a pricing discrepancy exists between 20/20, ProKitchen, and the Price Book, use the current year's price book as the rule. **The Price Book supersedes all pricing programs, 20/20, ProKitchen & Price Quote.** If you are in doubt of any pricing, contact your account service representative.



	CUT-OFF DATE	CUT-OFF TIME	SUBMIT CHANGES TO ORDERS BY
ZONE A	Monday	8:00 am CST	Noon
ZONE B	Tuesday	8:00 am CST	Noon
ZONE C	Wednesday	8:00 am CST	Noon
ZONE D	Thursday	8:00 am CST	Noon
ZONE E	Friday	8:00 am CST	Noon





## POLICIES & PROCEDURES

### Freight

#### Truckload

##### **\*All deliveries are sold f.o.b. factory**

Wellborn Forest may utilize contract carriers for truckload deliveries. Truckload freight rates may be obtained by contacting the transportation department at Wellborn Forest (**ext. 337**).

- Maximum Cubic Feet Per Truckload
  - 48' Trailer - 2700 cubic feet
  - 53' Trailer - 3200 cubic feet

Once loaded, truckload shipments held by the customer for delivery will incur a \$100.00 per day demurrage fee from the date the order is ready to ship.

**Customers requesting expedited shipment (overnight or second day delivery) of replacement item(s) will be responsible for freight charges. These charges will be invoiced to the customer.**

#### Cycle Trucks (Kitchens)

Product shipped on the Wellborn Forest Cycle truck is sold at the factory cost multiplier and freight charges are calculated at a per cabinet freight rate, based on the ship to location, incurred at invoicing. **Fuel surcharge may be applicable based on percentage of freight cost.**

**Cabinets are charged the per cabinet rate, not accessories, moldings, etc.** The per cabinet freight rate may be obtained through account services or your sales representative.

**A minimum freight charge of \$80.00 will apply to shipments of less than five cabinets or other items delivered (Ex. sale aids, moldings, literature, etc...).**

Orders loaded on the cycle truck and held for shipment by the customer or credit department will incur a **\$150.00 redelivery charge.**

#### UPS Shipments

**All UPS shipments will be charged freight plus a \$10 handling fee.**

**Cabinets and all cabinet parts exceeding 70 lbs., 108" in length, or 165" in size combining length and girth cannot be shipped UPS.**

#### Ten Year Warranty

Warranty claims are different than Damaged or Defective Goods claims. Warranty claims are made after the product is installed. Refer to Americana Capital Series Lifetime Warranty for complete warranty details. If you are making a Warranty Claim, check and fill out the Warranty Service Request box on the Capital Series Order form. Be sure to complete all information on the order form and fax it to account services. This order will be processed to produce on the next date of order placement and ship on the next available Wellborn Forest truck, LTL carrier or UPS.

**Warranty orders may require field inspection and a signed authorization from our sales representative.** All Warranty Service Request orders will be invoiced at the standard cost plus freight.

**NOTE:** A credit will not be issued until a warranty order has been invoiced. We are crediting the original, not the replacement.

Disposition of the defective product may include returning it to Wellborn Forest. **If return of the item is requested, must be authorized by VP of Sales.**

#### Damage

If a product has been determined damaged beyond use while unloading, or with visible damage at the time of unloading use the Capital Series Order Form to submit orders for product. A "Damage Replacement" check box is available to you to order replacement items. Please provide the original order number in the field indicated. Product noted on the BOL/Shipper and ordered under these circumstances will be shipped at no charge.

If only the door is damaged, order only the door. If only the box is damaged, order the box only. If a component part will remedy the damage (i.e. drawer, drawer guide, hinge or shelves) order the necessary component. This will greatly speed the replacement process.

All replacements for damage, including parts, reported within the 30 days of invoicing will be shipped at no charge. Wellborn Forest will determine the best method to ship the replacement item(s), including the preferred Wellborn Forest Cycle Truck.

Customers requesting expedited shipment (overnight or second day delivery) of replacement items will be responsible for freight charges. These charges will be invoiced to the customer.

Note the damage on the Bill of Lading (BOL/Shipper) and obtain the driver's signature and contact account services immediately to reorder the damaged item(s).

Refer to the appropriate type carrier below to determine disposition of the damaged item. If delivered by:

- Wellborn Forest Company Owned Truck
  - return the item on the truck
- Contract Carrier Independent Carrier
  - accept the item since the carrier is not returning to Wellborn Forest
- Common Carrier
  - Wellborn Forest will not accept responsibility for damage to product shipped by common carrier when the customer chooses this method of shipment. We highly discourage this method of shipment.
- UPS
  - Contact UPS to file a claim. Original packaging must be available for inspection by a UPS representative.

## POLICIES & PROCEDURES

---



### Damage (continued)

#### Concealed Damage

Product(s) discovered to have sustained concealed damage will be replaced by Wellborn Forest at no additional charge.

**The items must be reported to customer services within 10 days from the date of delivery and held for inspection and final disposition by a Wellborn Forest Sales Representative.**

Credit will not be issued if damage notification exceeds 30 days from the date of invoice. Please be advised that an invoice for the replacement item(s) may be generated if the item(s) is/are not available for inspection.

\*All damage replacement items submitted within 30 days from the date of delivery will be produced on the next available Production date at no charge. Exceptions: Items not stocked in inventory.

### Defective Materials

#### Doors

Doors that are warped 1/4" or less must be allowed to hang through two seasons (Ex. Spring to Summer) before a no charge replacement will be considered. Some doors may warp slightly after installation due to high or low humidity levels in the home. The door will usually return to a normal flat position after going through the seasonal change. Please ensure that the door is warped rather than the cabinet being racked or out of square.

#### Cabinets or Parts

Wellborn Forest will replace, at no charge, up to two cabinets or six doors per kitchen order that are deemed defective. Replacements above this level will be shipped out at a charge and a Return Materials Authorization number will be issued. If upon return, the product is determined to be defective a credit will be issued at that time.

#### Finish

Complaints concerning stain, paint, or glaze finish must be inspected by a Wellborn Forest Account Representative. Wellborn Forest reserves the option of approving a field repair or returning the product to factory for repair or replacement. Exposure to smoke, water, or extreme sunlight may alter the original appearance. Slight variations in grain and color are not considered defects, as this is the natural character of wood. **Veneered panel doors are not guaranteed to match solid wood framing on the same door in either the raw or finished state. Veneers will absorb stain differently than solid wood. The mismatch of solid and veneers is not considered defective.**

#### Return Policy

Returns will be handled on a case-by-case basis. Contact account services when an RMA is considered necessary.

**NOTE:** The return policy pertains to defective, damaged, warranty, or Wellborn Forest administrative errors only. RMA does not include customer errors.

Items must be returned within 90 days of delivery. Items returned after 90 days will not receive credit. Issuance of RMA does not guarantee issuance of credit. **Returned products not found to agree with claim upon inspection may be returned to the customer. VP of Sales must approve return of items.**

#### Shortages

##### Wellborn Forest Truck or Contract Carrier

Note the shortage on the shipper and obtain the driver's signature. Fax the signed shipper with a list of the shortage(s) to account services immediately. Shortages will be produced to ship at no charge.

**Shortages reported after 10 days will be charged.**

Wellborn Forest will determine the best method to ship the shorted item(s), including the preferred Wellborn Forest Cycle Truck. Customers requesting expedited shipment (overnight or second day delivery) of shorted item(s) will be responsible for freight charges. This charge will be invoiced to the customer.

#### Backorders

Backorders are parts that do not ship with the order and are indicated as such on the packing list. Backorders can and do occur, the result of various reasons including material out of stock and damage or defective parts occurring in process. Backorders are not invoiced until they are shipped, generally within five days of the original shipment.



## POLICIES & PROCEDURES

### General Policy Statement

Wellborn Forest conducts business in a fair and equitable manner toward maintaining customer satisfaction.

### Credit Management

A signed and complete credit application must be received and approved to establish an account and to place orders with Wellborn Forest for Americana Capital Series. All credit references are checked and a credit bureau investigation is completed to determine the credit worthiness of the company and/or principals. If insufficient credit history or incomplete information exists, Wellborn Forest may request additional references, financial statements or other pertinent information.

Billing terms will be established once credit is approved. Violation of the established terms may result in a change to the terms and/or a credit hold. Quick pay 2% discounts are applied to purchased items only excluding freight and taxes.

Orders submitted to Wellborn Forest are subject to review by the credit manager. Wellborn Forest will withhold orders from customers with past due accounts or balances in excess of established credit limits at our discretion. The credit manager will release orders when account payment issues are resolved. Production will be based on order release, not order placement.

We respectfully request our customers refrain from making unapproved payment deductions from invoices for damaged, defective or shorted items. Reconciliation of your account may result in your account being placed on credit hold if you make deductions. Discuss any adjustments to your account with your sales representative.

The **WFex** program is for customers requesting shelf items.

- Orders may be submitted daily by 11:00 AM CST
- **WFex** must be checked on the order form. No order will be entered **WFex** without the **WFex** box marked, no matter how small the order.
- A 20% upcharge will apply to non-warranty orders
- Orders entered as **WFex** will be available for shipment in 4 business days
  - Freight charged minimum \$80, LTL carrier rate or UPS rate
  - Limited to Parts Only

The customer must designate UPS, LTL carrier or next available WF Truck on the order. If the customer does not designate shipping method, Wellborn Forest will determine best method of shipping.

### Delivery

**The transportation department notifies customers via fax or email prior to delivery. Delivery will be made either morning or afternoon. Contact transportation department (ext. 337) for delivery information if you have not received delivery notification. ETA available to view on [www.mywfpdata.com](http://www.mywfpdata.com).**

Specific delivery times cannot be arranged, however, fleet drivers are to contact customers 24 hours prior to delivery. **Wellborn Forest will determine the best method of shipment if not noted on order.**

**Wellborn Forest delivers only to the customer's place of business. Job site deliveries are prohibited by the size of trailers and liability concerns.**

Wellborn Forest drivers will assist in tailgating the product. The dealer must furnish personnel to unload and check off the shipment.

Customers will be notified in the event of delivery delays resulting from mechanical breakdowns, production delays and other circumstances beyond our control.

**Note: Requests to delay shipments from the acknowledged delivery date may incur storage fees. Customer Pickup items will be invoiced once produced and a storage fee may be applied if left at the Wellborn Forest location for more than 1 week.**



**ORDER FORM**

Crystal Fax: 256-215-3303 • cthornton@wellbornforest.com  
Tracey Fax: 256-215-3325 • tdenney@wellbornforest.com  
Phone: 800-846-2562

Order Date: \_\_\_\_\_  
Page \_\_\_\_\_ Of \_\_\_\_\_

OFFICE USE ONLY  
Q CODE

Please do not use this box for shortages, or concealed damage replacements.

**WARRANTY SERVICE REQUEST**

Original Order # \_\_\_\_\_

Original P.O. # \_\_\_\_\_

- Warranty orders require field inspection and a signed authorization from our sales rep
- All defective product replacement orders will be scheduled to produce on the next WFEX date of order placement (excludes purchased doors)
- All orders will be scheduled on a WF truck or UPS
- No changes or cancellations may be made after the order is processed

**DAMAGE REPLACEMENT**

Original Order #: \_\_\_\_\_

No charge if notified within 30 days from invoice date

**Must select ship method Standard or WFEX**

**Standard Shipping**

- Cycle Truck
- UPS

**OR**

**WFEX (ADD 20%)**

- WF Truck
- UPS
- LTL

**RESIDENCE CODE:**

- NEW CONSTRUCTION**
- REMODEL**

**Alpha Code** \_\_\_\_\_

**PO #** \_\_\_\_\_

REQUIRED ENTRY

Invoice To:

Street \_\_\_\_\_

City \_\_\_\_\_

State \_\_\_\_\_ Zip \_\_\_\_\_

Phone \_\_\_\_\_

Email \_\_\_\_\_

**Designer Name:** \_\_\_\_\_

**ID#:** \_\_\_\_\_

\*\*\*NOTE: No job sites or home deliveries • Use this area only if ship to: is different\*\*\*

Ship To:

Street \_\_\_\_\_

City \_\_\_\_\_

State \_\_\_\_\_

Zip \_\_\_\_\_

**DOOR** (SPECIFY DOOR STYLE/SPECIES) \_\_\_\_\_

**5 PIECE DRAWER FRONT OPTION**

- Add \$50 Per Drawer

**FINISH** FINISH AGREEMENT REQUIRED ON GLAZES, PAINTS

ITEM	QTY	ENDS L/R/B	MODIFICATION DESCRIPTION (ONLY ONE DOOR STYLE, FINISH, AND BOX STYLE PER ORDER)	MOD MARKUP		HINGE L/R/DECO	LIST PRICE	MULTIPLIER APPLIED
				%LIST	\$LIST			

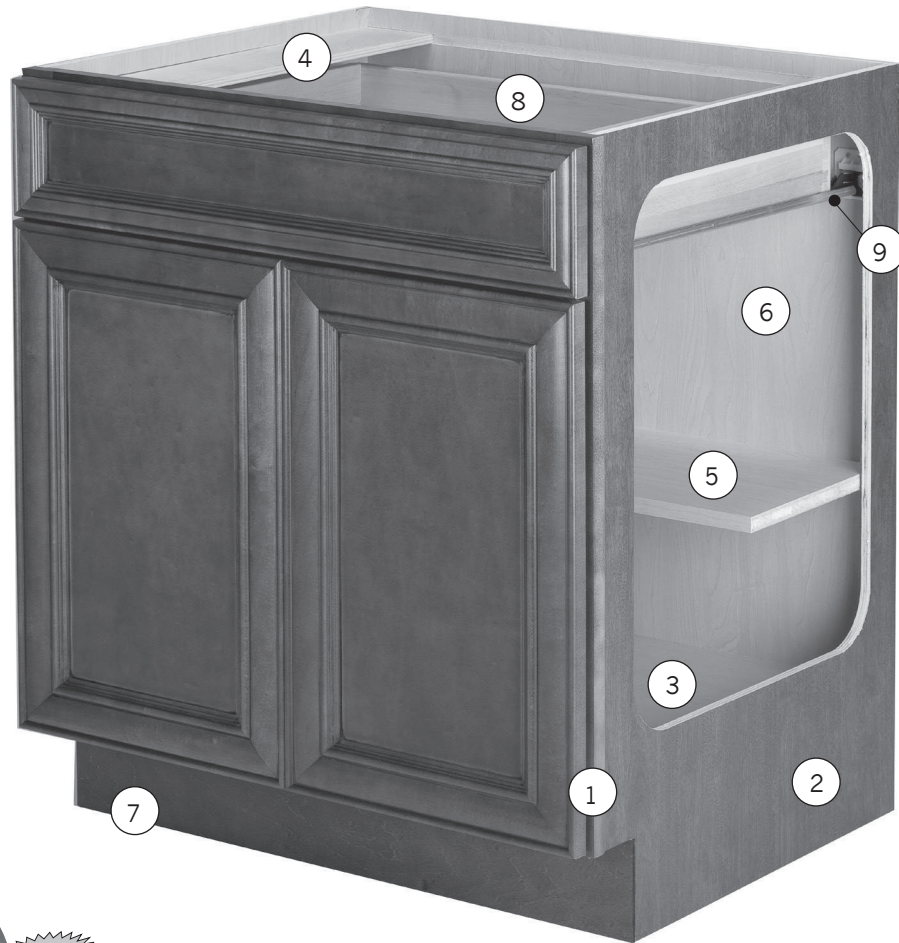
**BEFORE ORDERING, PLEASE NOTE**

- Order is subject to credit approval
- Must specify finished ends L, R, B
- Specify the blind side on corner cabinets
- Specials must be approved prior to order placement

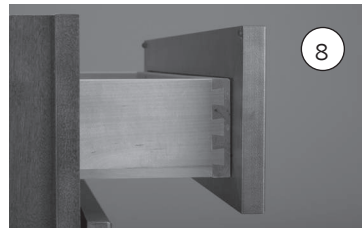
Truckload Order: Max 2700 Cubic Ft. 48' Trailer/Max 3200 Cubic Ft. 53' Trailer

\_\_\_\_\_  
Authorized Signature:

MKT1002-2/19



**NEW**  
SOFT-CLOSE  
HINGE



See page 9 for cabinet specifications

## CABINET SPECIFICATIONS

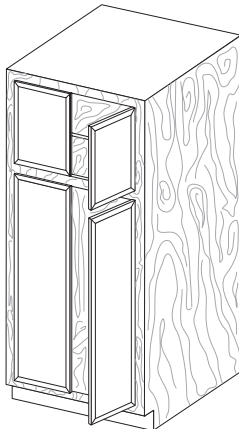


①	FACE FRAMES	3/4" x 1 3/4" kiln dried maple stiles & rails, joined with wood screws.
②	END PANELS	1/2" plywood veneer, laminated natural maple wood grain interior. Exterior veneer matches face frame wood species and is finished to match when finished end is specified.
③	TOPS & BOTTOMS	1/2" plywood veneer with laminated natural maple wood grain interior.
④	I-BEAM RAILS	1/2" plywood dadoed, glued & stapled into face frame and end panels & then stapled to back panel.
⑤	SHELVES	Adjustable, 3/4" thick laminated plywood shelving, front edge is maple edgebanded. Base cabinet shelves are 1/2 depth of cabinet.
⑥	BACKS	3/16" hardwood laminated backs.
⑦	TOE SPACE	1/2" x 4 1/2" plywood on base cabinets.
⑧	DRAWER BOX	Full length, four-sided, 5/8" solid wood with 3/16" plywood bottom grooved into four sides. Dovetail joinery on four sides.
⑨	DRAWER GUIDES	Soft-close full access drawer guide: <ul style="list-style-type: none"> <li>• 75 pound load capacity</li> <li>• Full-access – 7/8 extension, soft-closing feature</li> <li>• Strong, resilient tracks and precision steel ball bearings</li> <li>• Installed with plug-in, adjustable rear brackets for positive placement and stability.</li> <li>• Tool-free height adjustment</li> <li>• Made in the USA</li> <li>• Lifetime Warranty</li> </ul>
⑩	HINGES	<b>NEW</b> Soft-close integrated into cup hinge. 110° opening. Lifetime Warranty.

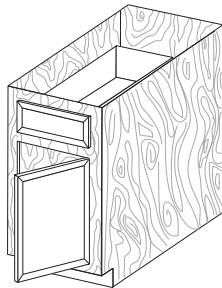
## CUSTOM MODIFICATIONS

When ordering a cabinet with a custom modification, please specify custom modification code on order form. Each modification will be priced accordingly. Requests for non-published modifications may be treated as a Custom Order which will require feasibility, pricing and leadtime review and approval. Please check with your account services representative before placing your order.

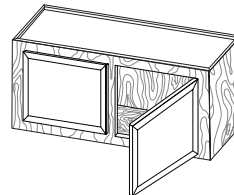
Modification Option Code	Application	Description/Limitations	Pricing		
			WALL	BASE	TALL
<b>Finished Interior FIN</b>	Most cabinets	<ul style="list-style-type: none"> <li>• Finishes the interior and end panels of the cabinet.</li> <li>• Interior stained to match exterior; matching wood species.</li> <li>• Finished interior cabinets are bored for shelf clips.</li> </ul>	WALL	BASE	TALL
			250	375	695



Tall cabinets

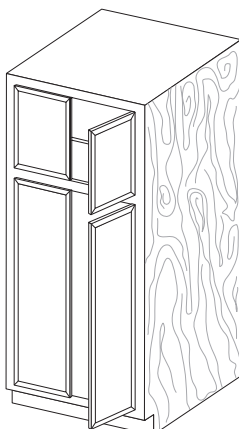


Base cabinets

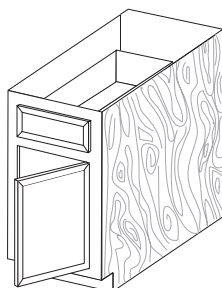


Wall cabinets

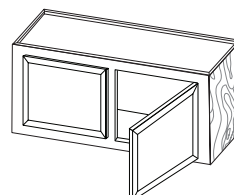
Modification Option Code	Application	Description/Limitations	Pricing		
			WALL	BASE	TALL
<b>Finished Ends</b>	Most cabinets with sides	<ul style="list-style-type: none"> <li>• Must specify finished ends left, right, or both</li> <li>• Creates a matching finished veneer plywood exterior with UV clear coat interior.</li> <li>• Finished ends same species as face frame</li> <li>• Finished ends are standard on finished interior cabinets</li> </ul>	WALL	BASE	TALL
			20	40	60



Tall cabinets



Base cabinets



Wall cabinets

## CUSTOM MODIFICATIONS



Modification Option Code	Application	Description/Limitations	Pricing	
Increase Depth DP	Most wall cabinets	<ul style="list-style-type: none"> <li>Increases the depth of a wall cabinet in 1" increments to a maximum depth of 27".</li> <li>To order, use actual size (ex. 18DP)</li> <li>Available on wall cabinets with drawers in 3" increment, up to 24".</li> <li>Not available on the following cabinets: DC, DS, DWEP, SCW, WR</li> </ul>	WALL	
			225	
	Most base, tall, vanity cabinets	<ul style="list-style-type: none"> <li>Increases the depth of a base, tall and vanity and office cabinet in 3" increments to a maximum depth of 30".</li> <li>When depth beyond 24" is desired, base cabinet will have drawer blanks, no drawers.</li> <li>To order, use actual size (ex. 18DP)</li> <li>Not available on the following cabinets: BLS, BWPS, CS, CSB, DCS, DCSB, OBL, PBWN, RWPS, SSB, SSK, SWB, TC18, UACSB, UADCSB, USK, UASSB, UATC15, VSSK, VUSK</li> </ul>	BASE	TALL
350			575	
	End Panels and Skins	<ul style="list-style-type: none"> <li>MBEP, MWEP, MTEP, MVEP, MVEPT, OMEP, BEP, REP, UAMBEP, WEP depth can only be increased 3" increments.</li> <li>Skins can be increased in 1" increments.</li> </ul>	50% Upcharge	

Modification Option Code	Application	Description/Limitations	Pricing	
Decrease Depth DP	Most wall cabinets	<ul style="list-style-type: none"> <li>Reduces the depth of a wall cabinet in 1" increments to a minimum depth of 6".</li> <li>To order, use actual size (ex. 18DP)</li> <li>Not available on the following cabinets: DC, DS, DWEP, SCW, WR</li> </ul>	WALL	
			195	
	Most base, tall and vanity cabinets	<ul style="list-style-type: none"> <li>Reduces the depth of a base, tall, and vanity cabinet in 3" increments. Reduce to 21", 18" and 15" only.</li> <li>When depth less 15" is desired, base cabinet will have drawer blanks, no drawers.</li> <li>Undermount full extension guides available for 15", 18", &amp; 21" deep cabinets with dovetail only</li> <li>To order, use actual size (ex. 18DP)</li> <li>Not available on the following cabinets: BLS, BWPS, CS, CSB, DCS, DCSB, OBL, PBWN, RWPS, SSB, SSK, SWB, TC18, UACSB, UADCSB, USK, UASSB, UATC15, VSSK, VUSK</li> </ul>	BASE	TALL
295			450	
	End Panels and Skins	<ul style="list-style-type: none"> <li>Matching Wall End Panel depth can only be reduced 3" increments.</li> <li>Pilasters and skins can be reduced in 1" increments.</li> </ul>	50% Upcharge	



## CUSTOM MODIFICATIONS

When ordering a cabinet with a custom modification, please specify custom modification code on order form. Each modification will be priced accordingly. Requests for non-published modifications may be treated as a Custom Order which will require feasibility, pricing and leadtime review and approval. Please check with your account services representative before placing your order.

Modification Option Code	Application	Description/Limitations	Pricing
<b>Full Height Door FHD</b>	Base & vanity cabinets only	<ul style="list-style-type: none"> <li>This option is designed to replace a drawer &amp; door combination with a full height door</li> </ul>	No Upcharge

<b>Prep For Glass PFG</b>	Most cabinets	<ul style="list-style-type: none"> <li>Back side of door routed to accept 1/8" glass</li> <li>Glass not included</li> <li>Specify finished interior</li> <li>PFG-Bottom Not Available for Utility cabinets</li> </ul>	95 Per Door

## PRODUCT AWARENESS



The natural hardwoods and plywood veneers used in Wellborn Forest cabinetry vary in color and grain pattern. Colors may vary from white, to red, to black, and even green, sometimes in the same door or drawer front. Some wood species such as maple have smooth even grain patterns, while oak has a more open and sometimes even wild grain variation. Some wood species display mineral streaks, worm tracks, small knots and pitch pockets. Some woods, particularly cherry and maple, are susceptible to light and the environment, causing the wood tone to mellow and darken over time. These variations are created by nature and are generally acknowledged as the beauty of wood and are not considered a manufacturing defect.

### Cabinets And The Environment

By its very nature, wood moves to expand and contract as it absorbs and releases moisture into the environment. As the wood absorbs moisture, the wood grain expands, and conversely, when the wood releases moisture the wood grain contracts or shrinks. The wood will expand and contract disproportionately meaning in unequal directions. The resulting movements can emphasize joints on cabinet doors, drawer fronts and face frames to be more pronounced even though they are a finished product with stain, sealer coat, and top coat applied. Miter joints are more susceptible to open or gap as a result in humidity level fluctuations. In most cases, the wood product will return to normal position if not exposed to extremes of humidity for a prolonged period and maintained in a stable atmospheric environment. These changes are not considered a manufacturing defect.

### Humid Environments

Humid environments contain a high amount of moisture in the air. Cabinets exposed to these high humidity levels will absorb excessive moisture and therefore expand or swell. This means that joints, scratches and other imperfections may become more pronounced and visible to the naked eye. If wood products are exposed to humid conditions for a prolonged period of time, they may not return to their normal condition once the atmospheric conditions become more stable.

### Arid Environments

Arid or dry climates can also result in wood movement. The moisture in the wood product has been absorbed by the environment causing the wood to dry. Shrinkage of wood can cause joints to open and become more pronounced and magnify any scratches and other imperfections even though the product has a stain, sealer coat, and top coat applied. Wood products exposed to arid environments for a shortened period of time may regain moisture and return to their normal condition in the appropriate atmospheric conditions.

### Climate Equilibrium

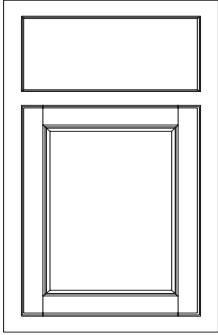
Proper steps can insure an appropriate climate for your Wellborn Forest cabinetry.

- Minimize exposure to sunlight, smoke, and household cleaners.
- Maintain the appropriate climate control systems within the home or storage areas to reduce the occurrence of moisture related issues. It is recommended to maintain the temperature in your home within a range of 60 - 90°F.
- Cabinetry should not be too close or directly facing air vents or radiant heat sources.
- Choose the appropriate wood species for your area. Remember solid wood is created from a single piece of wood. Engineered wood is made from several layers of wood and is designed to withstand higher levels of humidity.

Your cabinetry will perform and look beautiful for many years by following these suggestions to maintain a stable atmosphere. The warranty does not cover damage from exposure to extreme fluctuations in humidity levels or temperature or product concerns related to improper control of humidity or moisture levels.

Group A

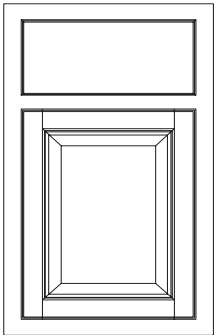
Concord Maple



- 1/2 inch overlay
- 2 inch solid maple stiles and rails; 3/4 inch thick
- 3/16 inch maple plywood panel
- Mortise & tenon construction
- Concealed hinge
- Solid maple drawer front matches door edge profile

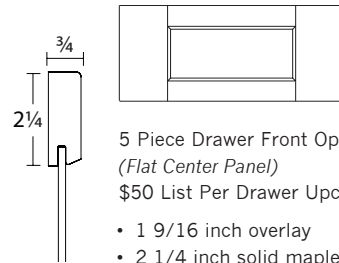
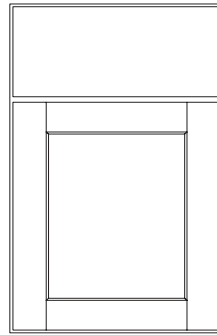
Group B

Concord Raised Panel Maple



- 1/2 inch overlay
- 2 inch solid maple stiles and rails; 3/4 inch thick
- 7/16 inch veneer raised center panel
- Mortise & tenon construction
- Concealed hinge
- Solid maple drawer front matches door edge profile

**NEW** Winslow Maple

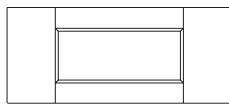
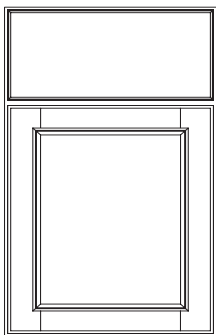


5 Piece Drawer Front Option  
(Flat Center Panel)  
\$50 List Per Drawer Upcharge

- 1 9/16 inch overlay
- 2 1/4 inch solid maple stiles and rails; 3/4 inch thick
- 3/16 inch maple plywood panel
- Mortise & tenon construction
- Concealed hinge
- Solid maple drawer front matches door edge profile

**NEW** Wyatt Maple

**NEW**  
2-1/4 inch stiles and rails &  
Eased outside edge profile



**NEW**  
5 pc drawer front  
option

5 Piece Drawer Front Option  
(Flat Center Panel)  
\$50 List Per Drawer Upcharge

- 1 9/16 inch overlay
- 2 1/4 inch solid maple stiles and rails; 3/4 inch thick
- 3/16 inch maple plywood panel
- Mortise & tenon construction
- Concealed hinge
- Solid maple drawer front matches door edge profile

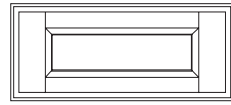
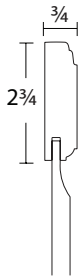
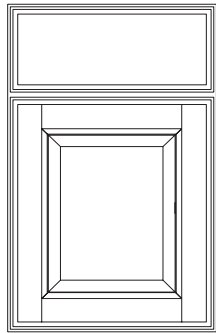
(formerly Lawrence)

# DOOR STYLES



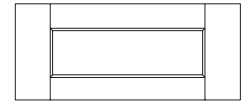
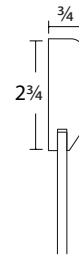
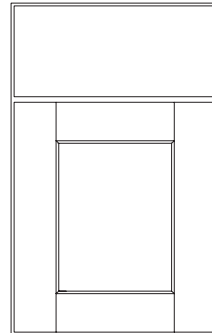
## Group C

**NEW** Chandler Raised Panel  
Maple



- 5 Piece Drawer Front Option  
(Flat Center Panel)  
\$50 List Per Drawer Upcharge
- 1 9/16 inch overlay
  - 2 3/4 inch solid maple stiles and rails; 3/4 inch thick
  - 7/16 inch veneer raised center panel
  - Two step edge profile
  - Mortise & tenon construction
  - Concealed hinge
  - Solid maple drawer front matches door edge profile

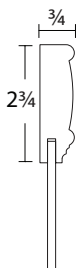
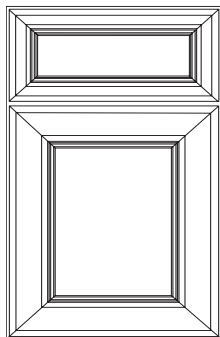
Dover Maple **NEW PRICE GROUP**



- 5 Piece Drawer Front Option  
(Flat Center Panel)  
\$50 List Per Drawer Upcharge
- 1 9/16 inch overlay
  - 2 3/4 inch solid maple stiles and rails; 3/4 inch thick
  - 3/16 inch maple plywood panel
  - Mortise & tenon construction
  - Concealed hinge
  - Solid maple drawer front matches door edge profile

## Group D

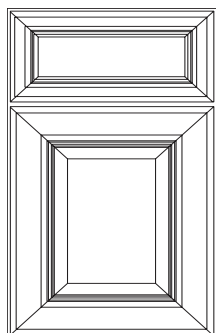
Atlanta Maple



- 1 9/16 inch overlay
- 2 3/4 inch solid maple stiles and rails; 3/4 inch thick
- 3/16 inch maple plywood panel
- Mitered corners
- Concealed hinge
- 5 piece drawer front with flat center panel

## Group E

Atlanta Raised Panel  
Maple



- 1 9/16 inch overlay
- 2 3/4 inch solid maple stiles and rails; 3/4 inch thick
- 7/16 inch veneer raised center panel
- Mitered corners
- Concealed hinge
- 5 piece drawer front with flat center panel



## Stains

---

Earl Grey: Mid-tone grey stain	Java: Dark brown to black stain
Ginger: Mid-tone golden brown stain	Nutmeg: Dark brown stain
Hazelnut: Warm dark sepia brown stain	Rose': Reddish brown stain
Honey: Light golden brown stain	

## Paints - 12% Upcharge

### Signed Finish Agreement Required

These color paint finishes are available without glazing. Paint finishes are applied on hardwood or plywood veneer products. Due to our finishing process, some wear-through or sand-through may occur on the sharper edge profiles of doors and drawer fronts. This is not considered a manufacturing defect.

Please note that wood naturally expands and contracts with seasonal changes in temperature and humidity. As wood moves at joints, this movement will be more apparent with painted finishes than stained finishes and will look like a small fracture or seam at the joint. The joints on mitered door styles may be more noticeable than mortise & tenon construction. Also, some grain patterns of wood may be apparent through painted finishes. These characteristics are inherent and will not be considered defective.

For homeowners concerned about day-to-day mishaps in high activity kitchens or baths, Wellborn Forest does not recommend Paint finishes due to the finish application process.

### Paints

Arctic: White finish  
Champagne: Soft beige finish  
Oyster: Light grey finish

## Glazes

### Signed Finish Agreement Required

### Glazes on Stain - 10% Upcharge

### Glazes on Paint - 20% Upcharge

Refer to the Finish Availability Chart for door style and finish availability

Glazing is a finishing process where a base stain or paint is applied to the wood for consistent color coverage. A flood coat of glaze is then applied and hand-wiped to create hang-up of varying tones from light to dark in the detail areas (corners, door grooves, profiles, and woodgrains) of the door or drawer front. Glazing hang-up is uneven and inconsistent creating a unique look that mimics antique, old world finishes. **Certain doors and drawer fronts may not be conducive for glazing due to less detailing of the profiles.** A veneer center panel absorbs more of the glaze resulting in a slightly darker color than on the solid wood components of the door frame.

The amount of hang-up will vary by wood species, by door profile, by stain or paint and glaze color, and especially by how much glaze is removed from the product. The variation must be judged for its overall effect in the entire finished installation and not in one single door or cabinet. Again, this is a hand-wiped process and due to its lack of automation or standardization, the glazed finish will vary from piece to piece, door to door, cabinet to cabinet, and job to job.

### Glazes

Chocolate: Dark brown glaze  
Shadow: Black glaze

# FINISHES



## Finish Chart

FINISH	% Upcharge	Atlanta	Atlanta Raised Panel	Chandler RP	Concord	Concord Raised Panel	Dover	Winslow	Wyatt
Earl Grey		•	•	•	•	•	•	•	•
Ginger		•	•	•	•	•	•	•	•
Hazelnut		•	•	•	•	•	•	•	•
Honey		•	•	•	•	•	•	•	•
Nutmeg		•	•	•	•	•	•	•	•
Rose'		•	•	•	•	•	•	•	•
Java		•	•	•	•	•	•	•	•
Earl Grey Shadow	<b>10%</b>	•	•	•	•	•	•	•	•
Ginger Chocolate	<b>10%</b>	•	•	•	•	•	•	•	•
Ginger Shadow	<b>10%</b>	•	•	•	•	•	•	•	•
Hazelnut Shadow	<b>10%</b>	•	•	•	•	•	•	•	•
Honey Chocolate	<b>10%</b>	•	•	•	•	•	•	•	•
Honey Shadow	<b>10%</b>	•	•	•	•	•	•	•	•
Nutmeg Chocolate	<b>10%</b>	•	•	•	•	•	•	•	•
Nutmeg Shadow	<b>10%</b>	•	•	•	•	•	•	•	•
Rose' Shadow	<b>10%</b>	•	•	•	•	•	•	•	•
Champagne	<b>12%</b>	•	•	•	•	•	•	•	•
Arctic	<b>12%</b>	•	•	•	•	•	•	•	•
Oyster	<b>12%</b>	•	•	•	•	•	•	•	•
Champagne Chocolate	<b>20%</b>	•	•	•	•	•	•	•	•
Arctic Chocolate	<b>20%</b>	•	•	•	•	•	•	•	•

• Available Finish

Upcharge for Paints & Glaze Finishes



## Glazes and Paints Finishes

I understand that the variation in pattern and color visible in Glaze or Paint finished cabinetry is an element in the beauty of the wood and artistry, not a defect. As the cabinetry goes through the finish process, the color of each component is matched as closely as possible. Variations in the wood are emphasized in certain finishes, such as Glazes finishes. No attempt is made by craftsmen to tone down or cover up these color variations present in the wood.

I also understand that when medium or dark finishes are applied to maple, there is the potential for exaggerated light and dark effects, blotchiness and or mottling. Soft spots in the wood and end-grain surfaces will also accept these finishes, predictably darker.

For glaze finishes, a base stain or paint is applied to the wood for consistent color coverage before any glaze detailing is applied. A flood coat of glaze is then applied and hand wiped off. Glaze may hang-up or remain in any corners of the door or drawer profile. Because the glaze is an hand applied procedure, detailing can differ from piece to piece. Glaze can hang-up in varying tones of light to dark in the detail areas of the door or drawer front. Due to our finishing process, some wear-through or sand-through may occur on the sharper edge profiles of doors and drawer fronts. Glazing hang-up is uneven and inconsistent creating a unique look that mimics antique, old world finishes. This is not considered a manufacturing defect. These potential variations are natural occurrences and are within the standards established by Wellborn Forest in their finishing process.

Veneered panel doors are not guaranteed to match solid wood framing on the same door in either the raw or finished state. Veneers will absorb more of the stain and glaze resulting in a slightly darker color than the solid wood components of the door frame. The mismatch of solid and veneers is not considered defective.

Wellborn Forest offers several types of painted finishes on cabinetry. Painted finishes are exceedingly different from the standard stained finish. Since normal movement is typical in wood products, certain climatic conditions can cause finish breaks, recesses, and joint and panel lines. Joint separation can be more visible on mitered doors. Joint lines and variations are common attributes of painted finishes and will not be considered sufficient reasons for product replacement. Joint Lines: Expansion and contraction in doors and face frames can cause visible lines at the joints. The finish will still protect the surface and the structural integrity of the joint will not be affected. An open joint line is not considered a defect.

I find the uniqueness of those variations desirable and agree not to hold Wellborn Forest, nor my Americana Capital Series dealer (whose name appears below) responsible in the event that I find those variations to be less than desirable than I had expected.

For further explanation of finish and wood species variation, refer to the Finish Selections.

The following finishes require a signed Finish Agreement:

- Glazes on Stain
- Paints
- Glazes on Paint

Fill in the finish of your order: \_\_\_\_\_

\_\_\_\_\_  
Consumer Signature

\_\_\_\_\_  
Date

\_\_\_\_\_  
Consumer Name (please print)

\_\_\_\_\_  
Dealer Signature & Company  
(Please Print Company Name and P.O. Number for Reference)

\_\_\_\_\_  
Date

\_\_\_\_\_  
Dealer Name/City/State (please print)

\_\_\_\_\_  
Dealer P.O. Number



## CABINET CARE AND CLEANING



Wellborn Forest meet or exceed Kitchen Cabinet Manufacturer Association (KCMA) standards for resistance to stains and surface damage that can be caused by common household chemicals. The finish protects the wood and enhances its natural beauty. Please follow these simple special care and maintenance guidelines which will allow you to enjoy your cabinets for many years to come.

### Cabinet Interiors

- Wipe with a clean, soft, damp cloth and dry immediately. Never use kitchen cloths or sponges that might have detergent or grease on them, or embedded abrasives.
- To remove food residue or grease, use any common dish washing liquid (not detergent) or solution of mild soap and water. Wipe with a clean damp cloth. Dry thoroughly. If a spill occurs, clean and dry immediately. Left unattended, a spill can soak through the laminate or wood surface and cause damage.

### Cabinet Exteriors, Stained and Painted

Your cabinets have been finished with a coating that exhibits excellent resistance to foods, beverages and household agents typically found in the kitchen or bath. However, from time to time, your cabinets will need regular cleaning and care.

- Clean at least once a month to protect the wood by wiping the surface with a clean, damp cloth, then dry immediately. Do not use a dishcloth for cleaning. It could contain remnants of grease or detergents. **Never use soap pads, steel wool, or cleaners that contain bleach, ammonia or abrasives.** These agents may cause discoloration, marring or dulling of the finish. Do not wax or polish cabinet surfaces. Wax build-up will leave a residue that is difficult to remove. Polishes containing silicone should not be used. Products such as Murphy's Oil Soap contain no wax, petroleum or silicones.
- Excess moisture can damage any cabinet finish. Areas near the sink, range, dishwasher, oven and baseboards are most susceptible. With all cabinets, take a little extra care on bottom edges of base cabinets and base cabinet doors where invisible moisture often collects. Keep these surfaces dry.
- Avoid draping damp cloths or dish towels over the cabinet doors. Over a period of time, this moisture could cause permanent damage to your cabinet finish.

### Cabinet Environment

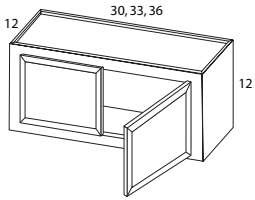
- Routine cleaning will help prevent long term damage from smoke and grease. They should be avoided because they can form a hard film over time, dulling the finish.
- When possible, keep cabinets out of direct sunlight or close curtains during the sunniest part of the day. Direct sunlight will cause cabinets to lighten or darken over time.
- Try to avoid exposing your cabinets to very hot and cold environments. Extremes in temperature and moisture can cause wood to expand and contract, eventually damaging the finish.





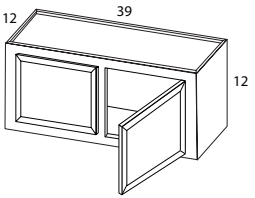
Item Description	A	B	C	D	E
Concord Maple					
Concord RP Maple Winslow Maple Wyatt Maple					
Chandler RP Maple Dover Maple					
Atlanta Maple					
Atlanta RP Maple					

### 12" High Wall



3012	218	236	242	244	285
3312	234	252	258	262	304
3612	246	267	272	276	324

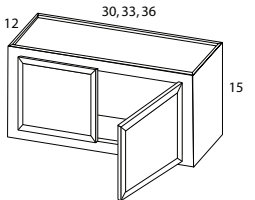
- No shelf
- Butt doors



3912	270	291	297	301	350
------	-----	-----	-----	-----	-----

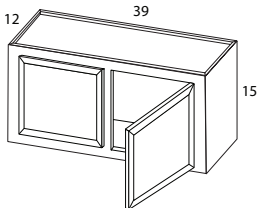
- No shelf

### 15" High Wall



3015	270	282	289	293	324
3315	283	299	306	310	342
3615	294	314	320	324	359

- No shelf
- Butt doors



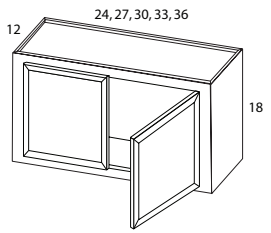
3915	306	322	328	333	368
------	-----	-----	-----	-----	-----

- No shelf



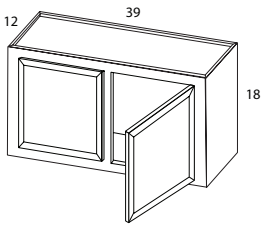
Item Description	A	B	C	D	E
Concord Maple					
Concord RP Maple Winslow Maple Wyatt Maple					
Chandler RP Maple Dover Maple					
Atlanta Maple					
Atlanta RP Maple					

**18" High Wall**



2418	284	301	307	311	341
2718	290	306	314	318	348
3018	298	315	321	325	356
3318	314	331	338	345	377
3618	331	350	357	361	401

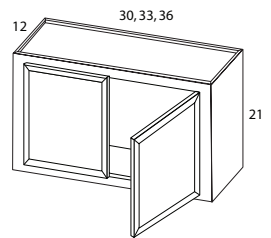
- No shelf
- Butt doors



3918	351	369	376	380	416
------	-----	-----	-----	-----	-----

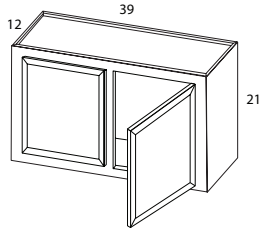
- No shelf

**21" High Wall**



3021	314	329	335	341	374
3321	328	347	355	358	394
3621	345	363	371	375	415

- No shelf
- Butt doors



3921	378	398	406	412	453
------	-----	-----	-----	-----	-----

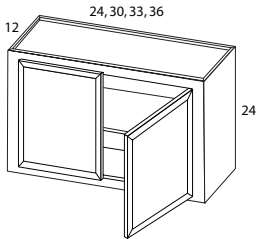
- No shelf

WALL CABINETS



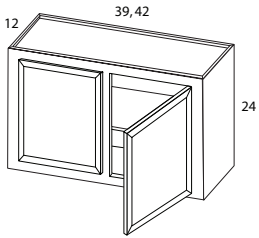
Item Description	A	B	C	D	E
Concord Maple					
Concord RP Maple Winslow Maple Wyatt Maple					
Chandler RP Maple Dover Maple					
Atlanta Maple					
Atlanta RP Maple					

### 24" High Wall



2424	328	346	354	358	394
3024	333	354	361	364	400
3324	355	374	381	387	427
3624	366	388	397	402	442

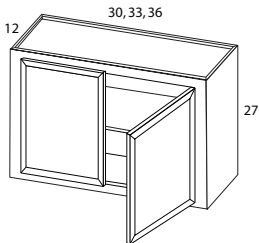
- 1 Adj. full depth shelf
- Butt doors



3924	379	401	409	414	455
4224	390	413	423	427	472

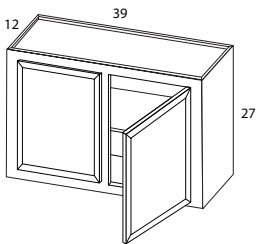
- 1 Adj. full depth shelf

### 27" High Wall



3027	356	374	381	388	427
3327	379	401	409	414	457
3627	396	416	426	432	475

- 1 Adj. full depth shelf
- Butt doors



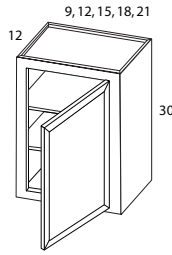
3927	411	435	444	449	493
------	-----	-----	-----	-----	-----

- 1 Adj. full depth shelf



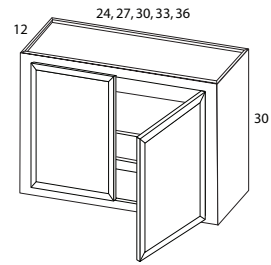
Item Description	A	B	C	D	E
Concord Maple					
Concord RP Maple Winslow Maple Wyatt Maple					
Chandler RP Maple Dover Maple					
Atlanta Maple					
Atlanta RP Maple					

**30" High Wall**



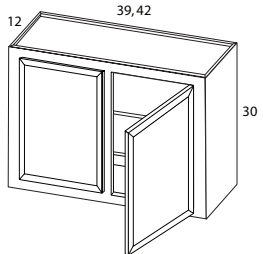
930	204	220	224	238	249
1230	223	234	241	244	270
1530	244	254	260	265	292
1830	273	290	296	299	330
2130	326	346	354	358	395

- 2 Adj. full depth shelves
- Specify L/R hinge



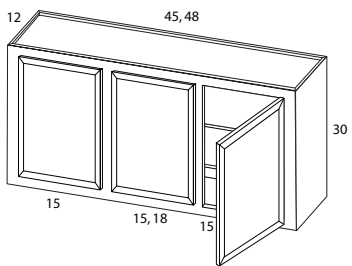
2430	361	383	393	399	442
2730	369	392	400	405	448
3030	377	398	406	412	458
3330	402	421	431	436	486
3630	420	442	452	459	509

- 2 Adj. full depth shelves
- Butt doors



3930	444	467	478	484	533
4230	462	489	500	507	564

- 2 Adj. full depth shelves



4530	536	566	579	587	644
4830	553	585	596	606	669

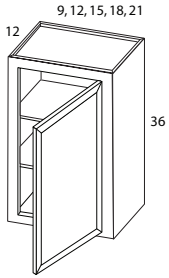
- 2 Adj. full depth shelves
- Doors hinged L, R, R

WALL CABINETS



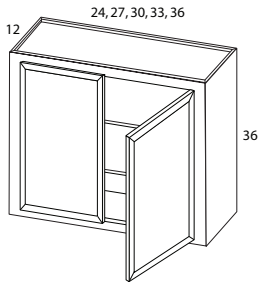
Item Description	A	B	C	D	E
Concord Maple					
Concord RP Maple Winslow Maple Wyatt Maple					
Chandler RP Maple Dover Maple					
Atlanta Maple					
Atlanta RP Maple					

### 36" High Wall



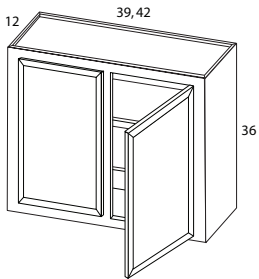
936	260	274	280	284	314
1236	275	291	297	301	330
1536	298	315	321	325	356
1836	330	347	355	358	394
2136	399	419	429	434	479

- 2 Adj. full depth shelves
- Specify L/R hinge



2436	403	429	437	442	490
2736	415	438	447	454	498
3036	439	464	475	481	530
3336	462	492	503	510	559
3636	491	520	531	538	591

- 2 Adj. full depth shelves
- Butt doors



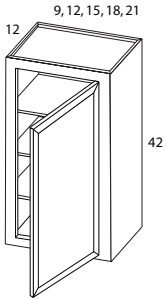
3936	520	546	558	566	623
4236	544	576	587	593	655

- 2 Adj. full depth shelves



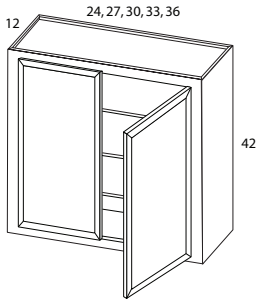
Item Description	A	B	C	D	E
Concord Maple					
Concord RP Maple Winslow Maple Wyatt Maple					
Chandler RP Maple Dover Maple					
Atlanta Maple					
Atlanta RP Maple					

**42" High Wall**



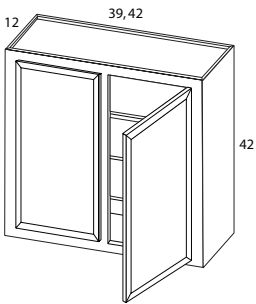
942	363	380	389	396	434
1242	373	396	404	409	451
1542	403	426	435	440	485
1842	423	445	454	461	508
2142	454	480	489	497	544

- 3 Adj. full depth shelves
- Specify L/R hinge



2442	564	594	608	616	678
2742	570	603	615	624	689
3042	614	652	664	672	741
3342	650	689	702	712	779
3642	691	732	746	758	829

- 3 Adj. full depth shelves
- Butt doors



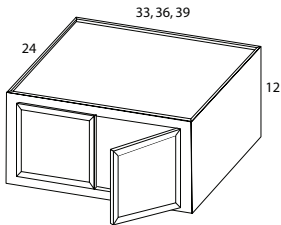
3942	724	752	767	778	856
4242	759	773	790	800	880

- 3 Adj. full depth shelves



Item Description	A	B	C	D	E
Concord Maple					
Concord RP Maple Winslow Maple Wyatt Maple					
Chandler RP Maple Dover Maple					
Atlanta Maple					
Atlanta RP Maple					

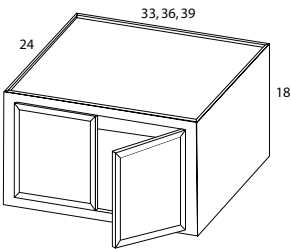
### 12" High Refrigerator Wall



RW3312	297	321	327	331	386
RW3612	312	337	346	351	410
RW3912	342	369	376	381	445

- No shelf
- 33" - 36" Wide cabinets have butt doors
- 39" Wide will have center mullion

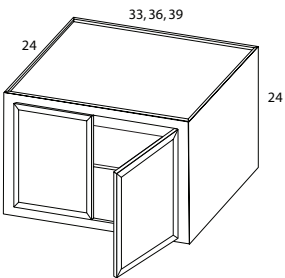
### 18" High Refrigerator Wall



RW3318	398	421	431	438	479
RW3618	420	442	452	459	508
RW3918	446	467	478	483	529

- No shelf
- 33" - 36" Wide cabinets have butt doors
- 39" Wide will have center mullion

### 24" High Refrigerator Wall



RW3324	450	476	485	490	542
RW3624	464	491	502	510	561
RW3924	481	509	520	527	578

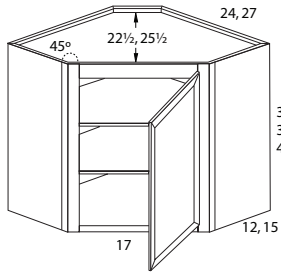
- 1 adj. full depth shelf
- 33" - 36" Wide cabinets have butt doors
- 39" Wide will have center mullion

**NOTE:** Refrigerator Wall cabinets can not be installed independently. These require additional support by fastening to adjacent cabinet, soffit or end panels



Item Description	A	B	C	D	E
Concord Maple	Concord RP Maple	Winslow Maple	Wyatt Maple	Chandler RP Maple	Dover Maple
Atlanta Maple	Atlanta RP Maple				

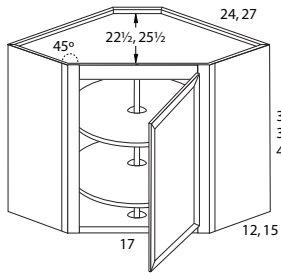
### Diagonal Corner Wall



DC2430	383	405	413	420	493
DC2436	461	487	498	504	564
DC2442	609	640	655	663	728
DC2730	577	610	622	682	688
DC2736	693	733	747	793	809
DC2742	916	966	986	1051	1072

- 30" & 36" High: 2 adj. full depth shelves
- 42" High: 3 adj. full depth shelves
- **DC27s have finished ends**

### Diagonal Corner Susan Wall



DS2430	484	509	520	528	623
DS2436	582	614	627	636	711
DS2442	715	756	771	782	892
DS2730	725	772	789	845	876
DS2736	873	923	943	1003	1023
DS2742	1077	1136	1160	1235	1260

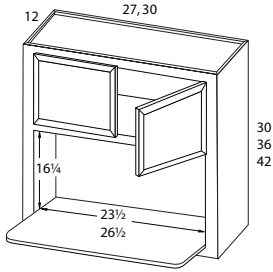
- 30" & 36" High: (2) · 18" Diameter rotating shelves and pole shipped installed
- 42" High: (3) · 18" Diameter rotating shelves and pole shipped installed
- **DS27s have finished ends**





Item Description	A	B	C	D	E
	Concord Maple	Concord RP Maple Winslow Maple Wyatt Maple	Chandler RP Maple Dover Maple	Atlanta Maple	Atlanta RP Maple

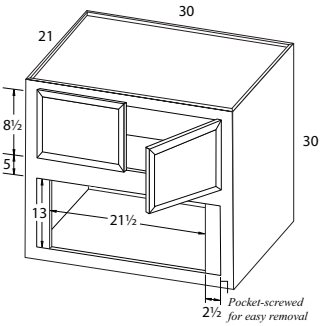
### Microwave Wall



MW2730	901	907	925	985	1005
MW2736	1034	1043	1063	1136	1159
MW2742	1103	1116	1139	1213	1237
MW3030	910	925	945	1000	1008
MW3036	1097	1109	1133	1207	1231
MW3042	1189	1206	1230	1311	1331

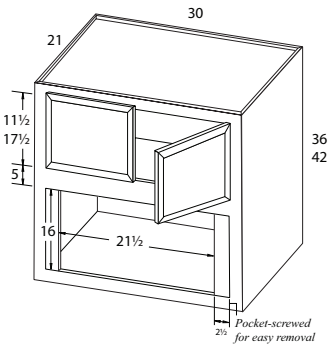
- 3/4" Thick shelf
- 17" Deep plywood shelf shipped loose
- Butt doors
- Plywood construction
- Finished interior

### Universal Microwave Wall



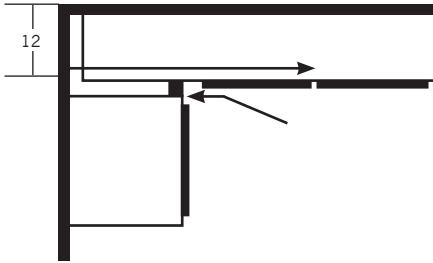
UMW3030	1137	1157	1180	1250	1262
UMW3036	1371	1387	1416	1505	1535
UMW3042	1488	1506	1538	1638	1671

- Butt doors
- Plywood construction
- Finished interior
- Floor is flush with top of rail





Item Description	A	B	C	D	E
	Concord Maple	Concord RP Maple Winslow Maple Wyatt Maple	Chandler RP Maple Dover Maple	Atlanta Maple	Atlanta RP Maple



When installing with hardware:

On all 1/2" overlay door styles, cabinet must be pulled 1 1/4" & use a 1 1/4" filler with the adjoining cabinet to obtain a 90° clearance.

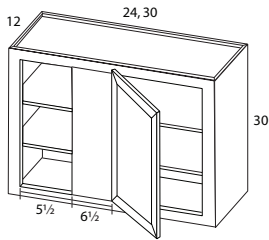
On all 9/16" overlay door styles, cabinet must be pulled 2 1/4" & use a 2 1/4" filler with the adjoining cabinet to obtain a 90° clearance.

WALL SPACE

UNIT	MIN	MAX	ACTUAL CASE SIZE
C24	24"	28 <sup>3</sup> / <sub>4</sub> "	24"
C30	30"	34 <sup>3</sup> / <sub>4</sub> "	30"
C36	36"	40 <sup>3</sup> / <sub>4</sub> "	36"
C42	42"	46 <sup>3</sup> / <sub>4</sub> "	42"
C48	48"	52 <sup>3</sup> / <sub>4</sub> "	48"

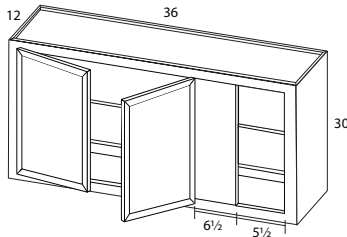
WALL CABINETS

Blind Corner Wall, 30" High



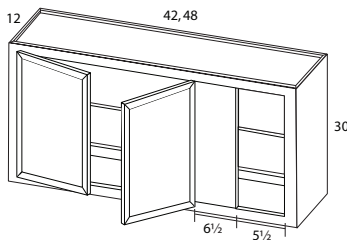
C2430	256	268	273	277	303
C3030	338	356	363	368	406

- 2 Adj. full depth shelves
- Door hinged to mullion
- Specify blind L/R



C3630	396	414	424	430	477
-------	-----	-----	-----	-----	-----

- 2 Adj. full depth shelves
- Butt doors
- Specify blind L/R



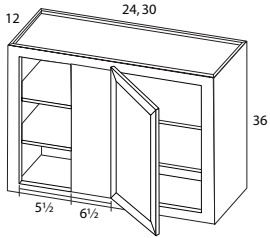
C4230	403	421	431	436	486
C4830	438	459	468	476	522

- 2 Adj. full depth shelves
- Butt doors
- Specify blind L/R



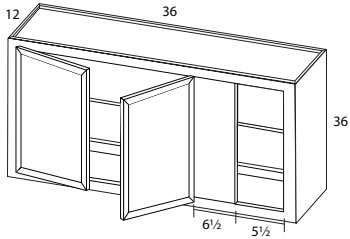
Item Description	A	B	C	D	E
Concord Maple	Concord RP Maple Winslow Maple Wyatt Maple	Chandler RP Maple Dover Maple	Atlanta Maple	Atlanta RP Maple	

### Blind Corner Wall, 36" High



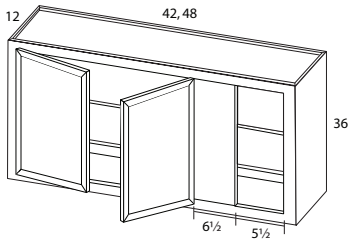
C2436	334	350	357	360	398
C3036	353	368	375	380	415

- 2 Adj. full depth shelves
- Door hinged to mullion
- Specify blind L/R



C3636	403	421	431	436	480
-------	-----	-----	-----	-----	-----

- 2 Adj. full depth shelves
- Butt doors
- Specify blind L/R



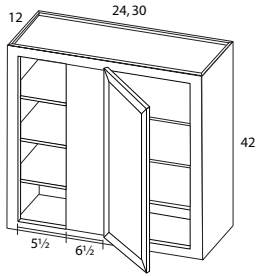
C4236	415	435	444	449	493
C4836	508	533	543	551	605

- 2 Adj. full depth shelves
- Butt doors
- Specify blind L/R

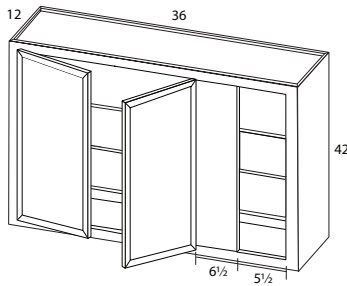


Item Description	A	B	C	D	E
Concord Maple					
Concord RP Maple Winslow Maple Wyatt Maple					
Chandler RP Maple Dover Maple					
Atlanta Maple					
Atlanta RP Maple					

Blind Corner Wall, 42" High						
C2442	389	407	415	421	460	
C3042	408	427	436	441	483	

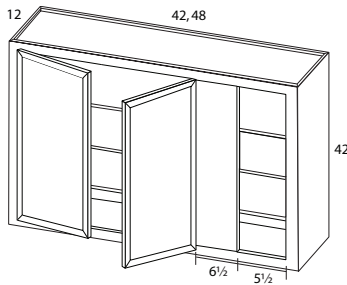


- 3 Adj. full depth shelves
- Door hinged to mullion
- Specify blind L/R



C3642	445	465	476	482	531
-------	-----	-----	-----	-----	-----

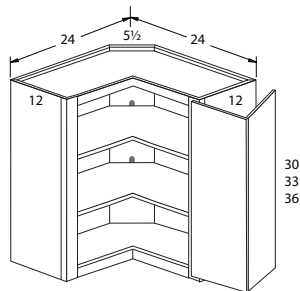
- 3 Adj. full depth shelves
- Butt doors
- Specify blind L/R



C4242	462	487	498	504	554
C4842	617	649	662	670	735

- 3 Adj. full depth shelves
- Butt doors
- Specify blind L/R

Square Corner Wall						
SCW2430	739	782	798	850	867	
SCW2436	876	927	947	1006	1026	
SCW2442	1014	1075	1097	1167	1190	



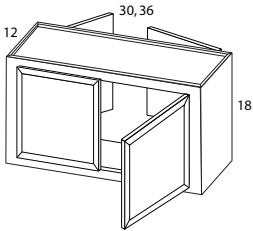
- 30" & 36" High: 2 adj. full depth shelves
- 42" High: 3 adj. full depth shelves
- Finished ends
- Depth modifications not available

WALL CABINETS



Item Description	A	B	C	D	E
Concord Maple					
Concord RP Maple Winslow Maple Wyatt Maple					
Chandler RP Maple Dover Maple					
Atlanta Maple					
Atlanta RP Maple					

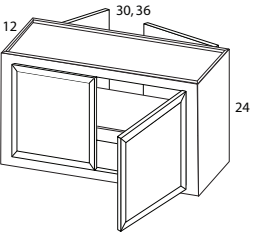
### Peninsula Wall Cabinet, 18" High



PW3018	551	580	591	600	662
PW3618	567	602	614	623	688

- No shelf
- Butt doors

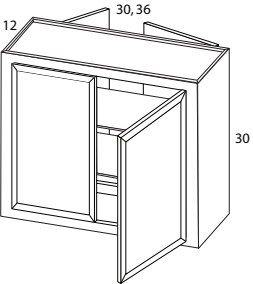
### Peninsula Wall Cabinet, 24" High



PW3024	624	659	671	683	751
PW3624	643	676	692	702	771

- 1 Adj. full depth shelf
- Butt doors

### Peninsula Wall Cabinet, 30" High



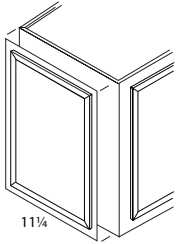
PW3030	670	711	725	737	810
PW3630	748	792	808	819	902

- 2 Adj. full depth shelves
- Butt doors



Item Description	A	B	C	D	E
	Concord Maple	Concord RP Maple Winslow Maple Wyatt Maple	Chandler RP Maple Dover Maple	Atlanta Maple	Atlanta RP Maple

**Matching Wall End Panel**



MWEP30	142	147	150	152	168
MWEP36	165	176	180	181	197
MWEP42	195	204	208	211	231

- 3/16" Panel
- Panel & door shipped loose

**Door Dimensions**

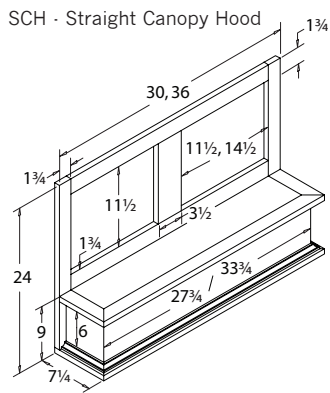
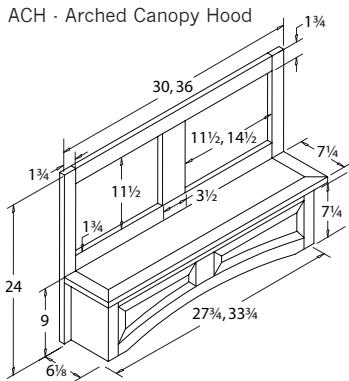
	1/2" Overlay	1 9/16" Overlay
30	9-1/2" W x 27-1/2" H	11-5/8" W x 29-5/8" H
36	9-1/2" W x 33-1/2" H	11-5/8" W x 35-5/8" H
42	9-1/2" W x 39-1/2" H	11-5/8" W x 41-5/8" H



Item Description	A	B	C	D	E
	Concord Maple	Concord RP Maple Winslow Maple Wyatt Maple	Chandler RP Maple Dover Maple	Atlanta Maple	Atlanta RP Maple

## Wall Accessories

### Canopy Wood Hood - Arch & Straight



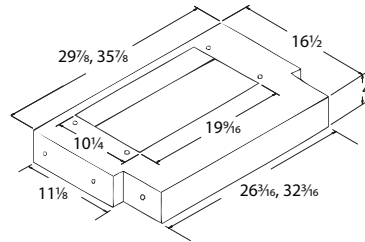
ACH3024	2980	3165	3229	3240	3289
ACH3624	3272	3501	3571	3602	3656
SCH3024	2328	2526	2576	2609	2648
SCH3624	2587	2827	2884	2937	2981

- Hinged doors attached
- Liner sold separately, see LNRWH30, 36
- Ventilator sold separately, see VNT-01

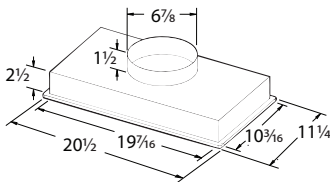
### Liner for Canopy Wood Hood

LNRWH30	301
LNRWH36	349

- Silver metallic powder coated finish



Canopy wood hood liner



### Ventilator for Canopy Wood Hood

VNT-01	542
--------	-----

- 250 CFM / 8 Sones. Silver metallic finish
- Two-speed motor, rocker switch control
- Dual 40 watt lighting (not included; recommended bulbs: two 40 watt small base candelabra bulbs)

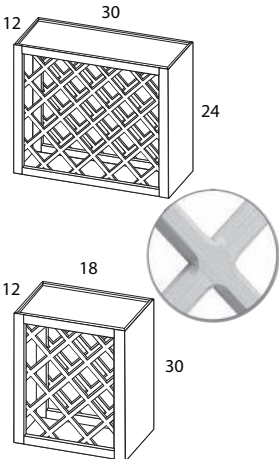




<b>Item Description</b>	Maple
-------------------------	-------

**Wall Accessories**

**Wine Racks**

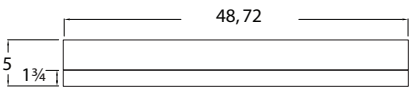


WR2430	<b>716</b>
WR3024	<b>716</b>

WR1830	<b>685</b>
WR3018	<b>685</b>

- All wood construction
- Finished interior & ends
- Beveled mouldings with routed face
- Bottle openings are 3 3/4" x 3 3/4"
- Panels produced from mouldings 7/16" thick x 3/4" wide
- Depth modifications not available

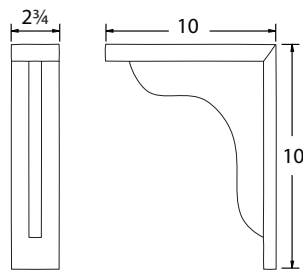
**Straight Valance**



V48	<b>100</b>
V72	<b>112</b>

- 3/4" Thick
- Solid wood construction

**Bar Bracket**



BB10	<b>102</b>
------	------------

- 3/4" Thick
- Solid wood construction



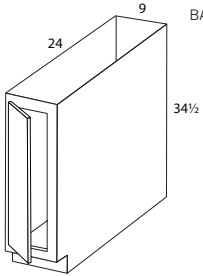
WALL CABINETS





Item Description	A	B	C	D	E
	Concord Maple	Concord RP Maple Winslow Maple Wyatt Maple	Chandler RP Maple Dover Maple	Atlanta Maple	Atlanta RP Maple

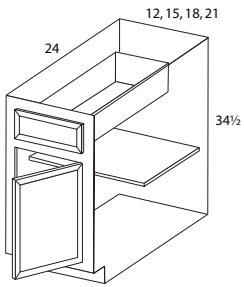
### Base Cabinets, 34 1/2" High



BASE TRAY DIVIDER CABINET

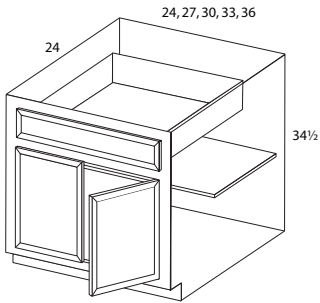
BT9	318	329	335	338	370
-----	-----	-----	-----	-----	-----

- No shelf
- Specify L/R hinge
- 4 1/2" Toe kick



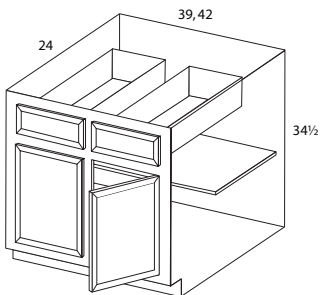
B12	397	416	426	431	476
B15	416	438	447	453	498
B18	440	463	474	481	530
B21	464	487	498	506	557

- 1 Adj. 1/2 depth shelf
- Specify L/R hinge
- 4 1/2" Toe kick



B24	590	624	637	646	689
B27	611	643	656	665	731
B30	659	694	708	718	770
B33	694	731	745	757	811
B36	727	767	783	794	862

- 1 Adj. 1/2 depth shelf
- 1 Drawer
- Butt doors
- 4 1/2" Toe kick



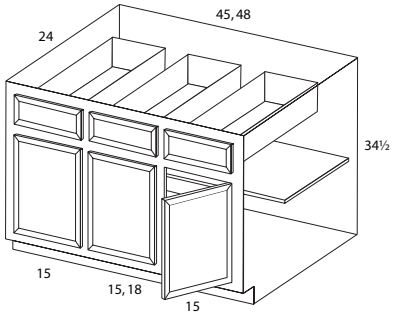
B39	875	910	928	931	1014
B42	914	951	970	976	1061

- 1 Adj. 1/2 depth shelf
- 2 Drawers
- 4 1/2" Toe kick



Item Description	A	B	C	D	E
	Concord Maple	Concord RP Maple Winslow Maple Wyatt Maple	Chandler RP Maple Dover Maple	Atlanta Maple	Atlanta RP Maple

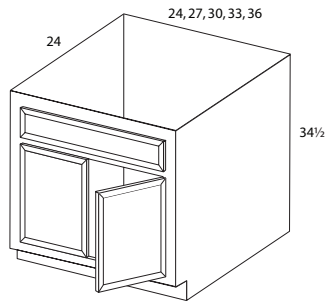
**Base Cabinets, 34 1/2" High**



B45	1138	1163	1186	1207	1272
B48	1185	1203	1226	1259	1312

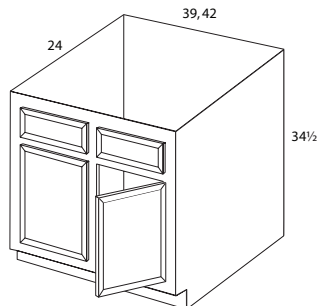
- 1 Adj. 1/2 depth shelf
- 3 Drawers
- Doors hinged L, R, R
- 4 1/2" Toe kick

**Sink/Range Base Cabinets, 34 1/2" High**



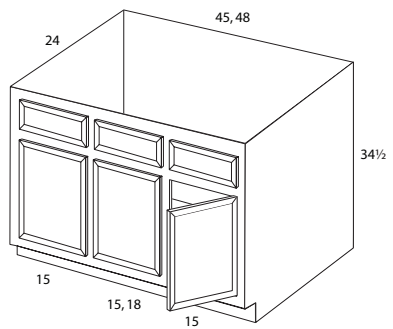
SRB24	545	564	575	585	587
SRB27	576	595	605	615	619
SRB30	597	621	634	644	648
SRB33	620	651	664	675	684
SRB36	640	673	686	694	721

- No shelf
- 1 Drawer front
- Butt doors
- **TUK included; ships w/ order as a separate item**
- 4 1/2" Toe kick



SRB39	666	697	712	721	785
SRB42	690	722	735	748	816

- No shelf
- 2 Drawer fronts
- **TUK included; ships w/ order as a separate item**
- 4 1/2" Toe kick



SRB45	793	832	849	858	909
SRB48	849	896	912	925	941

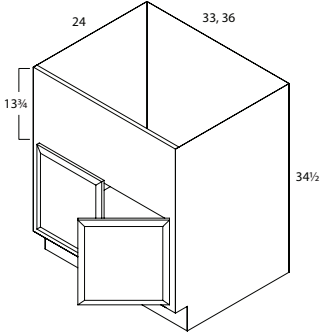
- No shelf
- 3 Drawer fronts
- Doors hinged L, R, R
- **TUK included; ships w/ order as a separate item**
- 4 1/2" Toe kick

BASE CABINETS



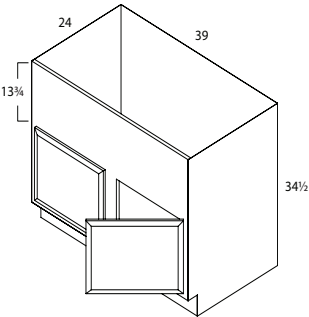
Item Description	A	B	C	D	E
	Concord Maple	Concord RP Maple Winslow Maple Wyatt Maple	Chandler RP Maple Dover Maple	Atlanta Maple	Atlanta RP Maple

**Country Sink/Range Base Cabinets, 34 1/2" High**



CRB33	620	651	664	675	684
CRB36	640	673	686	694	721

- No shelf
- Butt doors
- **TUK included; ships w/ order as a separate item**
- 4 1/2" Toe kick



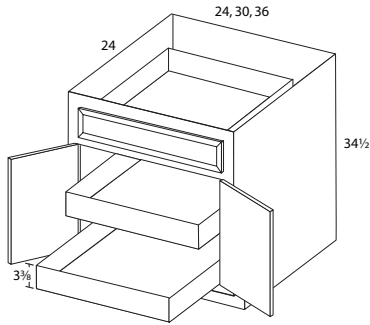
CRB39	666	697	712	721	785
-------	-----	-----	-----	-----	-----

- No shelf
- **TUK included; ships w/ order as a separate item**
- 4 1/2" Toe kick



Item Description	A	B	C	D	E
	Concord Maple	Concord RP Maple Winslow Maple Wyatt Maple	Chandler RP Maple Dover Maple	Atlanta Maple	Atlanta RP Maple

**Base Cabinet with Pullout Shelves , 34 1/2" High**



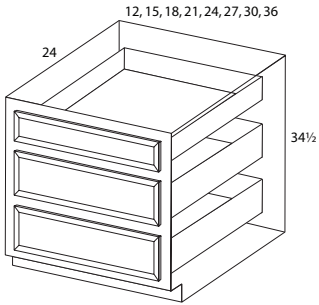
BWPS24	1105	1112	1135	1137	1160
BWPS30	1198	1206	1230	1242	1267
BWPS36	1295	1304	1330	1343	1370

- 1 Top drawer
- Butt doors
- 2 Pullout dovetail shelves have full extension ball-bearing drawer guides
- Depth modifications not available
- 4 1/2" Toe kick



<b>Item Description</b>	Concord Maple Concord RP Maple Winslow Maple Wyatt Maple	Chandler RP Maple Dover Maple	Atlanta Maple Atlanta RP Maple
-------------------------	---	----------------------------------	-----------------------------------

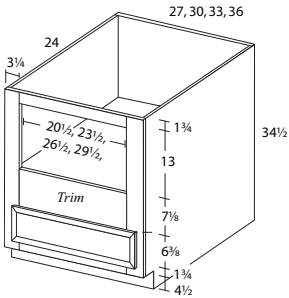
### Base Triple Drawer, 34 1/2" High



BTD12	866	873	890
BTD15	916	929	943
BTD18	973	992	1011
BTD21	1016	1049	1082
BTD24	1091	1121	1150
BTD27	1118	1171	1224
BTD30	1144	1204	1264
BTD36	1268	1314	1360

- 3 Drawers
- 4 1/2" Toe kick

### Base Microwave Cabinet, 34 1/2" High



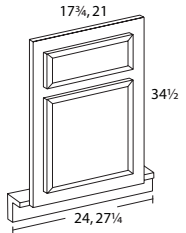
BMC27	597	687	716
BMC30	611	701	759
BMC33	637	734	800
BMC36	659	761	849

- 1 Drawer
- Adjustable floor
- 4 1/2" Toe kick



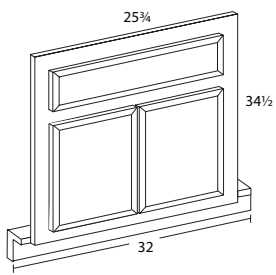
Item Description	A	B	C	D	E
Concord Maple					
Concord RP Maple Winslow Maple Wyatt Maple					
Chandler RP Maple Dover Maple					
Atlanta Maple					
Atlanta RP Maple					

**Sink Fronts, 34 1/2" High**



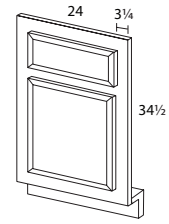
DCSF	269	333	341	347	379
DCSF39	289	361	369	373	410

- Not trimmable
- 4 1/2" Toe kick



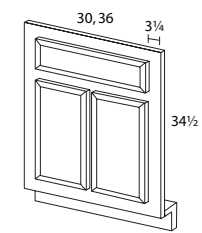
DCSF42	321	396	404	409	452
--------	-----	-----	-----	-----	-----

- Not trimmable
- 4 1/2" Toe kick



SF24	291	361	369	373	411
------	-----	-----	-----	-----	-----

- Trimmable to 1 1/2" each side
- 4 1/2" Toe kick



SF30	301	372	379	386	423
SF36	312	387	396	401	440

- Trimmable to 1 1/2" each side
- Butt doors
- 4 1/2" Toe kick

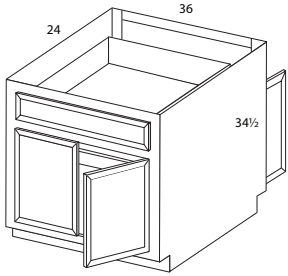
BASE CABINETS



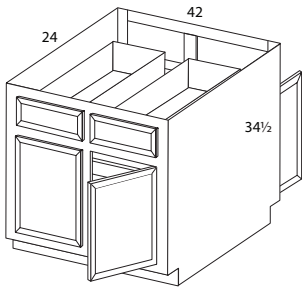
Item Description	A		B		C		D		E	
	Concord Maple	Concord RP Maple Winslow Maple Wyatt Maple	Chandler RP Maple Dover Maple	Atlanta Maple	Atlanta RP Maple					

**Peninsula Base, 34 1/2" High**

PB36	1100	1142	1166	1212	1257
------	------	------	------	------	------

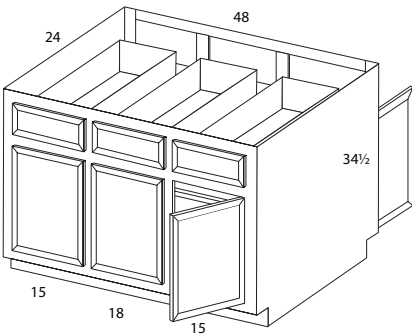


- 1 Drawer
- Butt doors
- 1 Adj. full depth shelf
- 4 1/2" Toe kick



PB42	1363	1435	1465	1498	1530
------	------	------	------	------	------

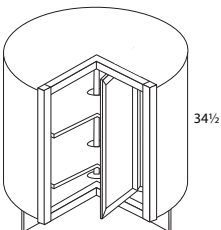
- 2 Drawers
- 1 Adj. full depth shelf
- 4 1/2" Toe kick



PB48	1703	1788	1825	1853	1880
------	------	------	------	------	------

- 3 Drawers
- 1 Adj. full depth shelf
- Doors hinged L, R, R
- 4 1/2" Toe kick

**Base Lazy Susan, 34 1/2" High**



BLS36	726	*798	NA	NA	NA
OBLS36	NA	*1054	1054	1054	1142

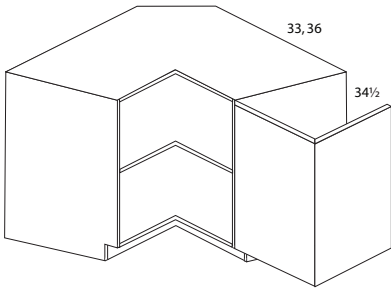
- 24" Diameter rotating polymer shelves
- BLS/OBLS back: is not constructed of all plywood
- OBLS36: cabinet has double face frame
- 4 1/2" Toe kick shipped loose

\*BLS36 - Available in 1/2" overlay doors (Concord, Concord Raised Panel)  
 \*OBLS36 - Available in 1 9/16" overlay doors (Atlanta, Atlanta Raised Panel, Chandler RP, Dover, Winslow, Wyatt)



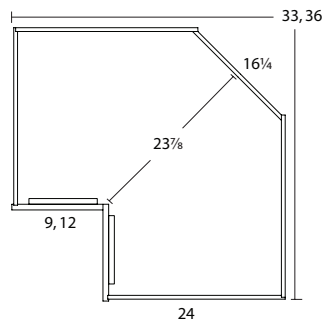
Item Description	A	B	C	D	E
Concord Maple	Concord RP Maple	Winslow Maple	Wyatt Maple	Chandler RP Maple	Dover Maple
	Atlanta Maple	Atlanta RP Maple			

**Corner Sink Base, 34 1/2" High**

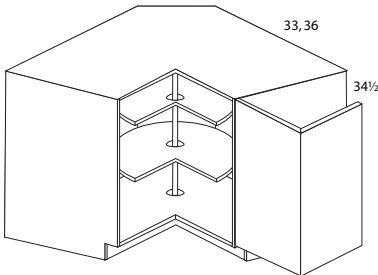


CSB33	999	1059	1082	1135	1188
CSB36	1007	1066	1089	1142	1196

- Fixed shelf
- Plywood ends
- Specify finish ends if ends exposed
- 4 1/2" Toe kick

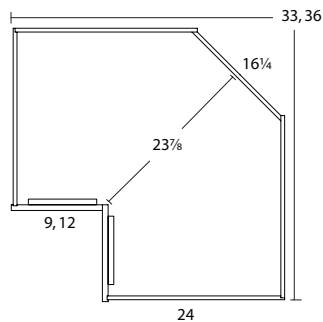


**Corner Susan Base, 34 1/2" High**



CS33	1625	1659	1694	1765	1767
CS36	1636	1674	1708	1777	1778

- 33" Wide: (2) · 24" Diameter rotating polymer shelves
- 36" Wide: (2) · 28" Diameter rotating polymer shelves
- Plywood ends
- Specify finish ends if ends exposed
- 4 1/2" Toe kick



BASE CABINETS

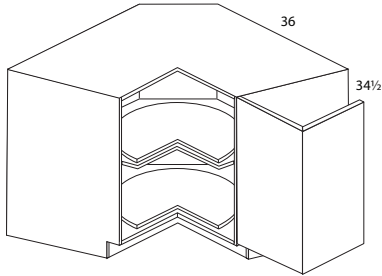




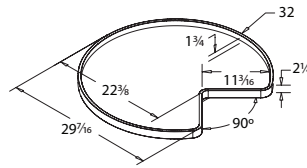
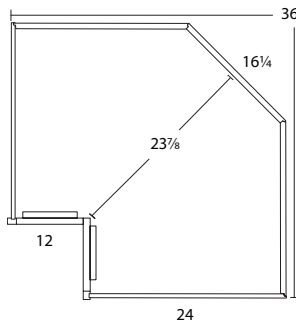
Item Description	A	B	C	D	E
	Concord Maple	Concord RP Maple Winslow Maple Wyatt Maple	Chandler RP Maple Dover Maple	Atlanta Maple	Atlanta RP Maple

**Super Susan Base, 34 1/2" High**

SSB36	1645	1742	1778	1853	1928
-------	------	------	------	------	------

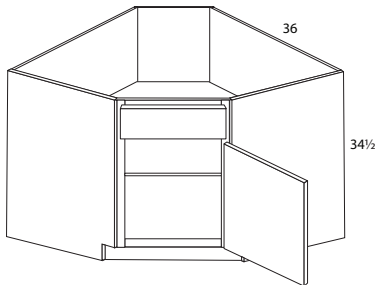


- (2) - 32" Diameter wood susans mounted to shelves
- Plywood ends
- Specify finish ends if ends exposed
- 4 1/2" Toe kick

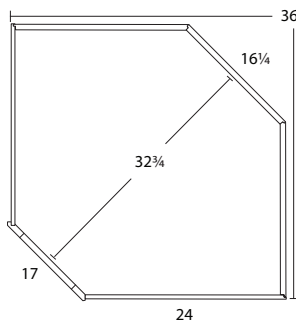


**Diagonal Corner Sink Base, 34 1/2" High**

DCSB36	1111	1176	1201	1259	1317
--------	------	------	------	------	------



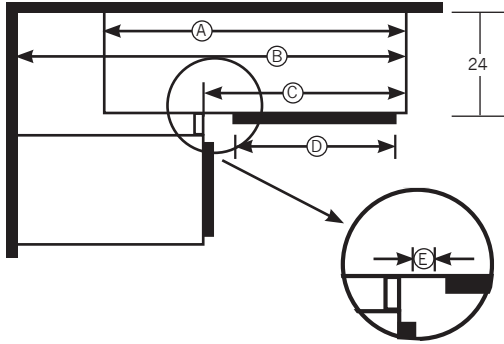
- 3/4" Thick adj. shelf
- 1 Drawer front, standard height door
- Plywood ends
- Specify finish ends if ends exposed
- No top
- 4 1/2" Toe kick





Item Description	A	B	C	D	E
	Concord Maple	Concord RP Maple Winslow Maple Wyatt Maple	Chandler RP Maple Dover Maple	Atlanta Maple	Atlanta RP Maple

### Corner Blind Base Installation



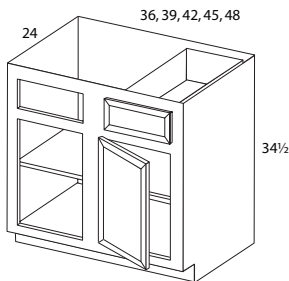
On all 1 9/16" overlay door styles, the adjoining cabinet requires a minimum 1 1/4" filler when installing without hardware. Requires 2 1/4" filler when installing hardware.

- A = CABINET WIDTH
- B = DISTANCE FROM WALL PULLED INCLUDING CABINET WIDTH
- C = WIDTH OF REVEALED CABINET
- D = DOOR WIDTH
- E = DOOR REVEAL

		A	B		C	D	E
			MIN	MAX			
CB36	STD OVERLAY	36	36	40 <sup>3</sup> / <sub>4</sub>	12	9 <sup>1</sup> / <sub>2</sub>	1 <sup>1</sup> / <sub>4</sub>
	1 9/16 OVERLAY	27	37 <sup>7</sup> / <sub>16</sub>	40 <sup>3</sup> / <sub>4</sub>	12	11 <sup>5</sup> / <sub>8</sub>	3 <sup>3</sup> / <sub>16</sub>
CB39	STD OVERLAY	39	39	43 <sup>3</sup> / <sub>4</sub>	15	12 <sup>1</sup> / <sub>2</sub>	1 <sup>1</sup> / <sub>4</sub>
	1 9/16 OVERLAY	33	40 <sup>7</sup> / <sub>16</sub>	43 <sup>3</sup> / <sub>4</sub>	15	14 <sup>5</sup> / <sub>8</sub>	3 <sup>3</sup> / <sub>16</sub>
CB42	STD OVERLAY	42	42	46 <sup>3</sup> / <sub>4</sub>	18	15 <sup>1</sup> / <sub>2</sub>	1 <sup>1</sup> / <sub>4</sub>
	1 9/16 OVERLAY	39	43 <sup>7</sup> / <sub>16</sub>	46 <sup>3</sup> / <sub>4</sub>	18	17 <sup>5</sup> / <sub>8</sub>	3 <sup>3</sup> / <sub>16</sub>
CB45	STD OVERLAY	45	45	49 <sup>3</sup> / <sub>4</sub>	21	18 <sup>1</sup> / <sub>2</sub>	1 <sup>1</sup> / <sub>4</sub>
	1 9/16 OVERLAY	45	46 <sup>7</sup> / <sub>16</sub>	49 <sup>3</sup> / <sub>4</sub>	21	20 <sup>5</sup> / <sub>8</sub>	3 <sup>3</sup> / <sub>16</sub>
CB48	STD OVERLAY	48	48	51 <sup>1</sup> / <sub>4</sub>	22 <sup>1</sup> / <sub>2</sub>	20	1 <sup>1</sup> / <sub>4</sub>
	1 9/16 OVERLAY	48	49 <sup>7</sup> / <sub>16</sub>	51 <sup>1</sup> / <sub>4</sub>	22 <sup>1</sup> / <sub>2</sub>	22 <sup>1</sup> / <sub>8</sub>	3 <sup>3</sup> / <sub>16</sub>
SCB54	STD OVERLAY	54	54	58 <sup>3</sup> / <sub>4</sub>	30	27 <sup>1</sup> / <sub>2</sub>	1 <sup>1</sup> / <sub>4</sub>
	1 9/16 OVERLAY	54	55 <sup>7</sup> / <sub>16</sub>	58 <sup>3</sup> / <sub>4</sub>	30	29 <sup>5</sup> / <sub>8</sub>	3 <sup>3</sup> / <sub>16</sub>
SCB57	STD OVERLAY	57	57	61 <sup>3</sup> / <sub>4</sub>	33	30 <sup>1</sup> / <sub>2</sub>	1 <sup>1</sup> / <sub>4</sub>
	1 9/16 OVERLAY	57	58 <sup>7</sup> / <sub>16</sub>	61 <sup>3</sup> / <sub>4</sub>	33	32 <sup>5</sup> / <sub>8</sub>	3 <sup>3</sup> / <sub>16</sub>
SCB60	STD OVERLAY	60	60	64 <sup>3</sup> / <sub>4</sub>	36	33 <sup>1</sup> / <sub>2</sub>	1 <sup>1</sup> / <sub>4</sub>
	1 9/16 OVERLAY	60	61 <sup>7</sup> / <sub>16</sub>	64 <sup>3</sup> / <sub>4</sub>	36	35 <sup>5</sup> / <sub>8</sub>	3 <sup>3</sup> / <sub>16</sub>

BASE CABINETS

### Corner Blind Base, 34 1/2" High

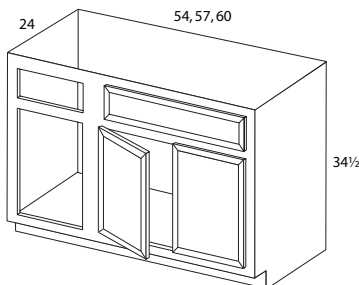


	CB36	CB39	CB42	CB45	CB48
CB36	554	587	600	609	630
CB39	580	609	621	629	682
CB42	590	628	640	649	720
CB45	623	656	668	680	748
CB48	680	720	736	746	823

- 1 Adj. 1/2 depth shelf
- Specify blind L/R
- Door hinged to mullion
- 4 1/2" Toe kick

	CB36	CB39	CB42	CB45	CB48
Mullion	6 1/2"	6 1/2"	6 1/2"	6 1/2"	6 1/2"
Blind Opening	8 1/2"	11 1/2"	14 1/2"	17 1/2"	19"

### Corner Blind Sink Base, 34 1/2" High



	SCB54	SCB57	SCB60
SCB54	709	737	752
SCB57	742	776	793
SCB60	767	809	826

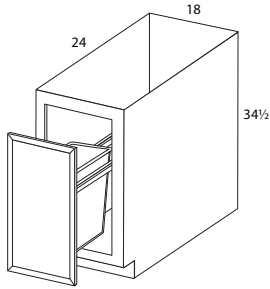
- No shelf
- 1 Drawer front
- Butt doors
- Specify blind L/R
- Door hinged to mullion
- 4 1/2" Toe kick

	SCB54	SCB57	SCB60
Mullion	6 1/2"	6 1/2"	6 1/2"
Blind Opening	17 1/2"	17 1/2"	17 1/2"



Item Description	A	B	C	D	E
	Concord Maple	Concord RP Maple Winslow Maple Wyatt Maple	Chandler RP Maple Dover Maple	Atlanta Maple	Atlanta RP Maple

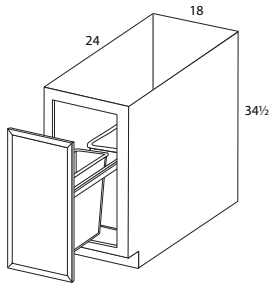
### Trash Can Base Cabinet, 34 1/2" High



TC18	648	667	682	829	874
------	-----	-----	-----	-----	-----

- Includes (1) - 50 qt. trash can
- Includes storage space for trash bags
- Decrease depth not available
- Full extension ball bearing slides
- 4 1/2" Toe kick

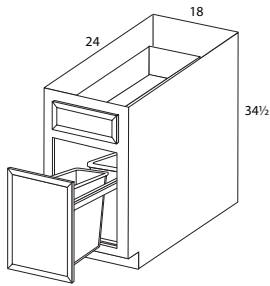
### Double Trash Can Base Cabinet, 34 1/2" High



2TC18	777	800	819	995	1049
-------	-----	-----	-----	-----	------

- (2) 35 qt. waste container
- Solid wood construction pullout w/full extension over-travel slides
- Includes front side mounting brackets, rear adj. mounting brackets and preassembled door mounting brackets
- Depth modifications not available
- 4-1/2" Toe kick

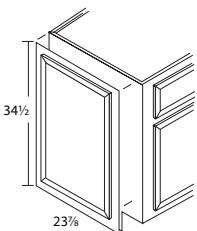
### Double Trash Can Base Cabinet with Drawer, 34 1/2" High



2TCD18	855	880	900	1095	1143
--------	-----	-----	-----	------	------

- (2) 35 qt. waste container
- Solid wood construction pullout w/full extension over-travel slides
- Includes front side mounting brackets, rear adj. mounting brackets and preassembled door mounting brackets
- Depth modifications not available
- 4-1/2" Toe kick

### Matching Base End Panel, 34 1/2" High



MBEP	228	285	292	295	323
------	-----	-----	-----	-----	-----

- 3/16" Plywood panel
- Panel & door shipped loose
- Toe space field notched

#### Door Dimensions

1/2" Overlay	1 5/16" Overlay
21 1/2" W x 27 1/2" H	23 5/8" W x 29 5/8" H

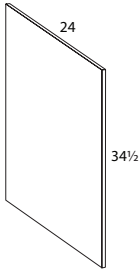


<b>Item Description</b>	Maple
-------------------------	-------

**Base Accessories**

**Base End Panel**

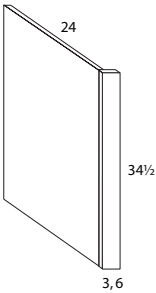
<b>BEP</b>	<b>121</b>
------------	------------



- 1/2" hardwood veneer on one side with front edgebanded

**Base End Panel, 3" or 6" Stile**

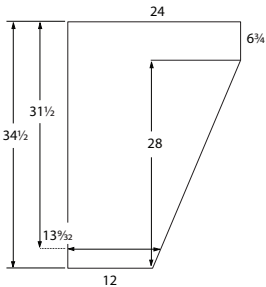
<b>BEP3</b>	<b>158</b>
<b>BEP6</b>	<b>188</b>



- 1/2" plywood with 3" or 6" stiles

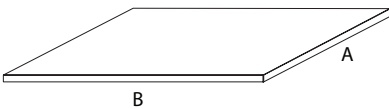
**Desk End Panel**

<b>DEP</b>	<b>151</b>
------------	------------



- 3/4" Plywood, finished on both sides
- Trimmable to desired height

**Sink Front Flooring**



<b>SFF24</b>	<b>90</b>
<b>SFF36</b>	<b>101</b>
<b>SFF48</b>	<b>110</b>
<b>SFF3636</b>	<b>102</b>
<b>SFF4242</b>	<b>107</b>

	A	B
SFF24	23-1/8"	22-5/16"
SFF36	23-1/8"	34-5/16"
SFF48	23-1/8"	46-5/16"
SFF3636	36-1/2"	36-1/2"
SFF4242	42-1/2"	42-1/2"

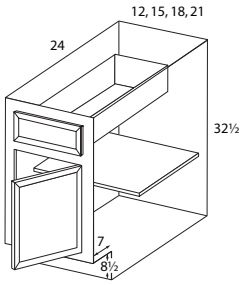
- 1/2" plywood

BASE CABINETS



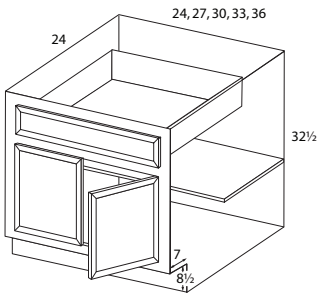
Item Description	A	B	C	D	E
	Concord Maple	Concord RP Maple Winslow Maple Wyatt Maple	Chandler RP Maple Dover Maple	Atlanta Maple	Atlanta RP Maple

### Universal Access Base Cabinets, 32 1/2" High



UAB12	397	416	426	431	474
UAB15	416	438	447	453	498
UAB18	440	463	474	481	530
UAB21	464	487	498	506	557

- 1 Adj. 1/2 depth shelf
- Specify L/R hinge
- 8 1/2" High x 7" Deep toe kick



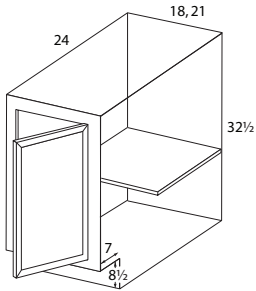
UAB24	590	624	637	646	650
UAB27	611	643	656	665	682
UAB30	659	694	708	718	741
UAB33	694	731	745	757	783
UAB36	727	767	783	794	826

- 1 Adj. 1/2 depth shelf
- 1 Drawer
- Butt doors
- 8 1/2" High x 7" Deep toe kick



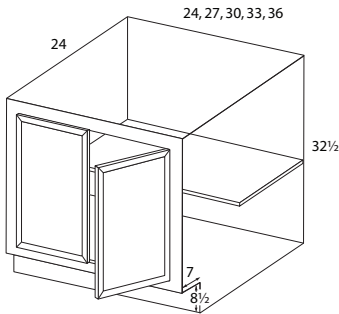
Item Description	A	B	C	D	E
Concord Maple					
Concord RP Maple Winslow Maple Wyatt Maple					
Chandler RP Maple Dover Maple					
Atlanta Maple					
Atlanta RP Maple					

### Universal Access Base Cabinets with Full Height Door, 32 1/2" High



UABFH18	367	387	396	401	442
UABFH21	387	406	414	421	463

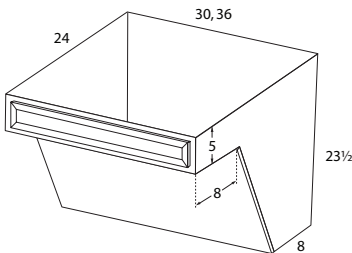
- 1 Adj. 1/2 depth shelf
- Specify L/R hinge
- 8 1/2" High x 7" Deep toe kick



UABFH24	492	520	531	538	594
UABFH27	509	536	546	554	612
UABFH30	550	579	590	597	661
UABFH33	579	609	621	630	696
UABFH36	607	639	654	662	730

- 1 Adj. 1/2 depth shelf
- Butt doors
- 8 1/2" High x 7" Deep toe kick

### Universal Access Floating Sink Base Cabinet, 23 1/2" High



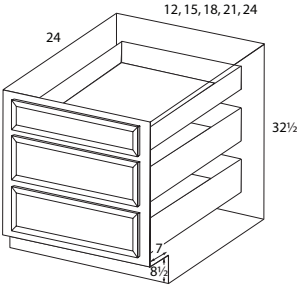
UAFSB30	516	543	554	590	602
UAFSB36	570	601	613	654	667

- 1 Drawer front
- 1/2" Plywood
- **Slab drawer front standard; 5 piece option not available**
- Removable front panel; no edgebanding
- Removable front panel protrudes 1/4" on each side to be flush to adjacent cabinet once installed



<b>Item Description</b>	Concord Maple Concord RP Maple Winslow Maple Wyatt Maple	Chandler RP Maple Dover Maple	Atlanta Maple Atlanta RP Maple
-------------------------	---	----------------------------------	-----------------------------------

**Universal Access Drawer Base, 32 1/2" High**



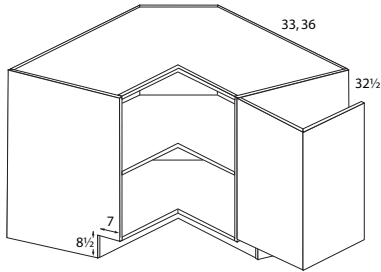
UADB12	<b>786</b>	<b>789</b>	<b>804</b>
UADB15	<b>845</b>	<b>849</b>	<b>868</b>
UADB18	<b>908</b>	<b>912</b>	<b>929</b>
UADB21	<b>971</b>	<b>974</b>	<b>994</b>
UADB24	<b>1033</b>	<b>1036</b>	<b>1057</b>

- 3 Drawers
- 8 1/2" High x 7" Deep toe kick



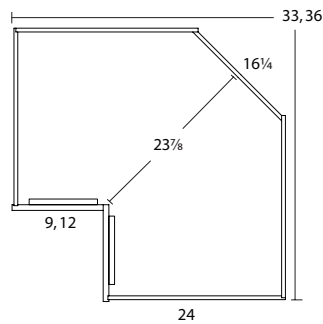
Item Description	A	B	C	D	E
Concord Maple					
Concord RP Maple Winslow Maple Wyatt Maple					
Chandler RP Maple Dover Maple					
Atlanta Maple					
Atlanta RP Maple					

**Universal Access Corner Sink Base, 32 1/2" High**

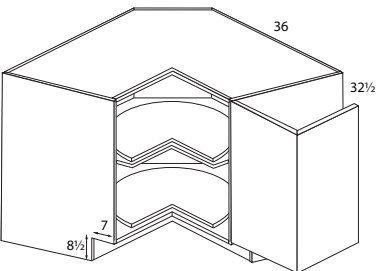


UACSB33	999	1059	1082	1135	1188
UACSB36	1007	1066	1089	1196	1257

- Fixed shelf
- Plywood ends
- Specify finish ends if ends exposed
- 8 1/2" High x 7" Deep toe kick

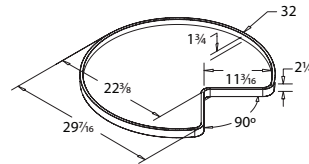
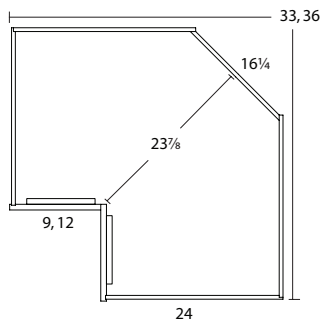


**Universal Access Super Susan Base, 32 1/2" High**



UASSB36	1645	1742	1778	1853	1928
---------	------	------	------	------	------

- (2) - 32" Diameter wood susans mounted to shelves
- Plywood ends
- Specify finish ends if ends exposed
- 8 1/2" High x 7" Deep toe kick



UNIVERSAL CABINETS

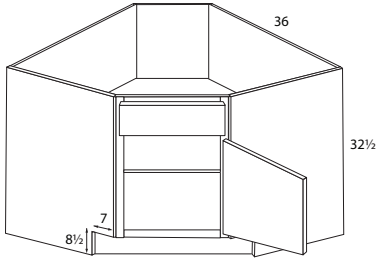




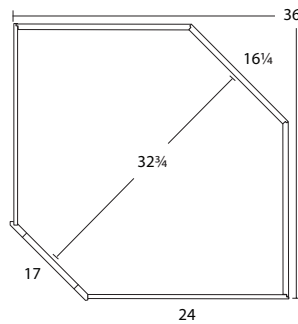
Item Description	A	B	C	D	E
Concord Maple	Concord RP Maple Winslow Maple Wyatt Maple	Chandler RP Maple Dover Maple	Atlanta Maple	Atlanta RP Maple	

### Universal Access Diagonal Corner Sink Base, 32 1/2" High

UADCSB36	1111	1176	1185	1201	1317
----------	------	------	------	------	------



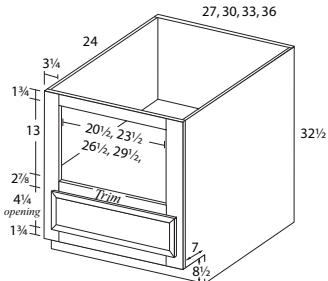
- 3/4" Thick adj. shelf
- 1 Drawer front, standard height door
- Plywood ends
- Specify finish ends if ends exposed
- No top
- 8 1/2" High x 7" Deep toe kick



Item Description	Concord Maple Concord RP Maple Winslow Maple Wyatt Maple	Chandler RP Maple Dover Maple	Atlanta Maple Atlanta RP Maple
------------------	---	----------------------------------	-----------------------------------

### Universal Access Base Microwave Cabinet, 32 1/2" High

UABMC27	699	716	732
UABMC30	715	759	774
UABMC33	747	800	817
UABMC36	776	849	868

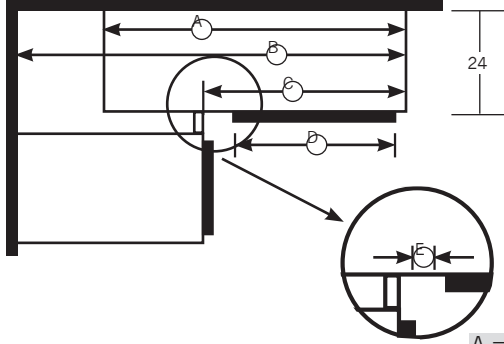


- 1 Drawer
- Adjustable floor
- 8 1/2" High x 7" Deep toe kick



Item Description	A	B	C	D	E
Concord Maple					
Concord RP Maple Winslow Maple Wyatt Maple					
Chandler RP Maple Dover Maple					
Atlanta Maple					
Atlanta RP Maple					

### Corner Blind Base Installation

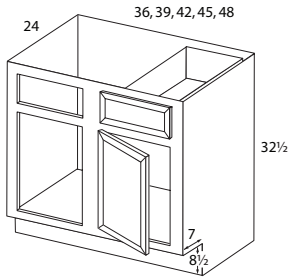


On all 1 9/16" overlay door styles, the adjoining cabinet requires a minimum 1 1/4" filler when installing without hardware. Requires 2 1/4" filler when installing hardware.

- A = CABINET WIDTH
- B = DISTANCE FROM WALL PULLED INCLUDING CABINET WIDTH
- C = WIDTH OF REVEALED CABINET
- D = DOOR WIDTH
- E = DOOR REVEAL

		A	B		C	D	E
			MIN	MAX			
UACB36	STD OVERLAY	27	36	40 <sup>3/4</sup>	12	9 <sup>1/2</sup>	1 <sup>1/4</sup>
	1 9/16 OVERLAY	27	37 <sup>7/16</sup>	40 <sup>3/4</sup>	12	11 <sup>5/8</sup>	3 <sup>3/16</sup>
UACB39	STD OVERLAY	33	39	43 <sup>3/4</sup>	15	12 <sup>1/2</sup>	1 <sup>1/4</sup>
	1 9/16 OVERLAY	33	40 <sup>7/16</sup>	43 <sup>3/4</sup>	15	14 <sup>5/8</sup>	3 <sup>3/16</sup>
UACB42	STD OVERLAY	39	42	46 <sup>3/4</sup>	18	15 <sup>1/2</sup>	1 <sup>1/4</sup>
	1 9/16 OVERLAY	39	43 <sup>7/16</sup>	46 <sup>3/4</sup>	18	17 <sup>5/8</sup>	3 <sup>3/16</sup>
UACB45	STD OVERLAY	45	45	49 <sup>3/4</sup>	21	18 <sup>1/2</sup>	1 <sup>1/4</sup>
	1 9/16 OVERLAY	45	46 <sup>7/16</sup>	49 <sup>3/4</sup>	21	20 <sup>5/8</sup>	3 <sup>3/16</sup>
UACB48	STD OVERLAY	48	48	51 <sup>1/4</sup>	22 <sup>1/2</sup>	20	1 <sup>1/4</sup>
	1 9/16 OVERLAY	48	49 <sup>7/16</sup>	51 <sup>1/4</sup>	22 <sup>1/2</sup>	22 <sup>1/8</sup>	3 <sup>3/16</sup>

### Universal Access Corner Blind Base, 32 1/2" High



UACB36	553	559	565	577	589
UACB39	580	607	619	631	644
UACB42	590	628	640	647	660
UACB45	623	656	668	680	711
UACB48	680	688	696	710	724

- No shelf
- Specify blind L/R
- Door hinged to mullion
- 8 1/2" High x 7" Deep toe kick

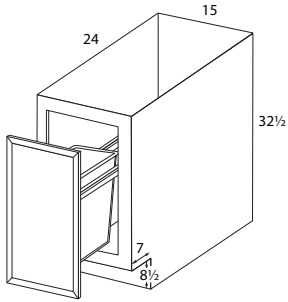
	UACB36	UACB39	UACB42	UACB45	UACB48
Mullion	6 <sup>1/2</sup> "	6 <sup>1/2</sup> "	6 <sup>1/2</sup> "	6 <sup>1/2</sup> "	6 <sup>1/2</sup> "
Blind Opening	8 <sup>1/2</sup> "	11 <sup>1/2</sup> "	14 <sup>1/2</sup> "	17 <sup>1/2</sup> "	19"

UNIVERSAL CABINETS



Item Description	A	B	C	D	E
	Concord Maple	Concord RP Maple Winslow Maple Wyatt Maple	Chandler RP Maple Dover Maple	Atlanta Maple	Atlanta RP Maple

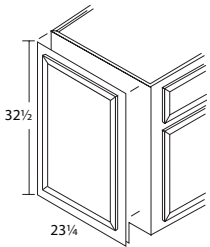
### Universal Access Trash Base Cabinet, 32 1/2" High



UATC15	648	667	682	829	874
--------	-----	-----	-----	-----	-----

- Includes (1) 35 qt. trash can
- Includes storage space for trash bags
- Full extension ball-bearing slides
- Decrease depth not available
- 8 1/2" High x 7" Deep toe kick

### Universal Access Matching Base End Panel, 32 1/2" High



UAMBEP	228	285	292	295	323
--------	-----	-----	-----	-----	-----

- 3/16" Plywood panel
- Panel & door shipped loose
- Toe space field notched

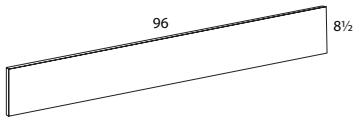
#### Door Dimensions

1/2" Overlay	1 1/16" Overlay
21 1/2" W x 21 1/2" H	23 5/8" W x 23 5/8" H



Item Description	Maple

### Universal Access Toe Space Cover, 8 1/2" High



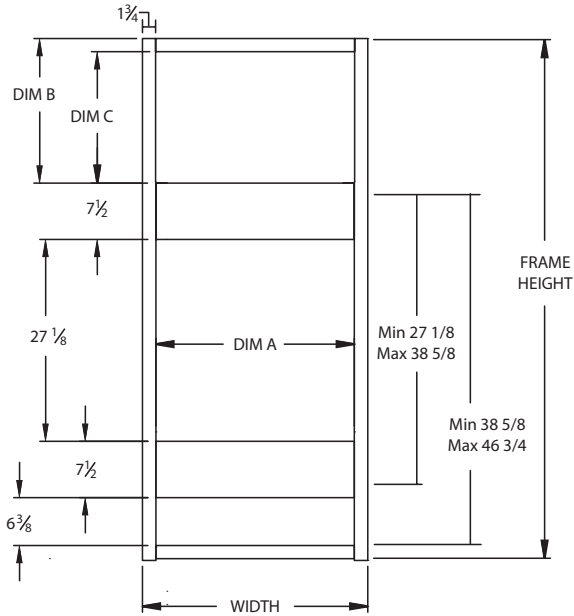
TSC8	83
------	----

- 3/16" Thick plywood
- Required on all base & tall universal access cabinets
- For painted finishes, edgebanded paint grade MDF used



Item Description	A	B	C	D	E
	Concord Maple	Concord RP Maple Winslow Maple Wyatt Maple	Chandler RP Maple Dover Maple	Atlanta Maple	Atlanta RP Maple

**Universal Access Oven Cabinet Installation Guide**

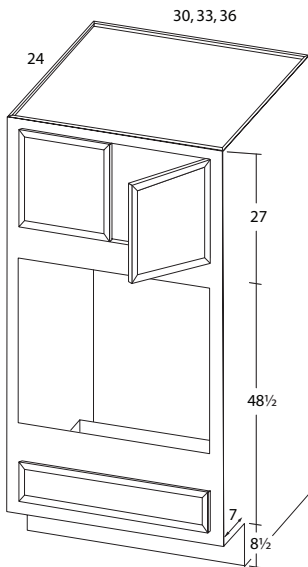


CABINET WIDTH	DIM A	
	MIN	MAX
30	26 1/2	28 1/2
33	29 1/2	31 1/2
36	32 1/2	34 1/2

CABINET HEIGHT	FRAME HEIGHT	DIM B	DIM C
84	75 1/2	25 1/4	23 1/2

• All oven cabinets can be cut to fit a majority of oven units manufactured

**Universal Access Oven Cabinets, 84" High**



UAO3084	1134	1198	1220	1240	1364
UAO3384	1211	1279	1306	1325	1460
UAO3684	1300	1374	1400	1423	1568

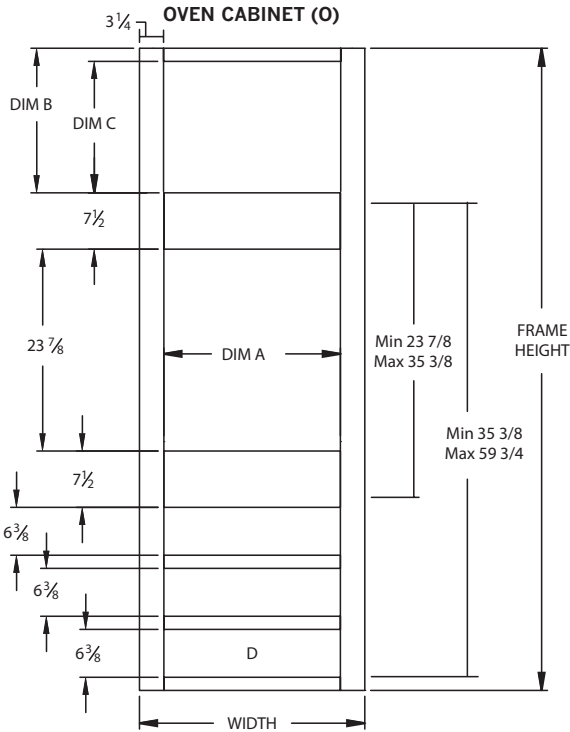
- No shelf
- Butt doors
- 1 Drawer
- Custom cutout modifications not available
- 8 1/2" High x 7" Deep toe kick
- Toe kick shipped attached, specify loose

UNIVERSAL CABINETS



Item Description	A	B	C	D	E
	Concord Maple	Concord RP Maple Winslow Maple Wyatt Maple	Chandler RP Maple Dover Maple	Atlanta Maple	Atlanta RP Maple

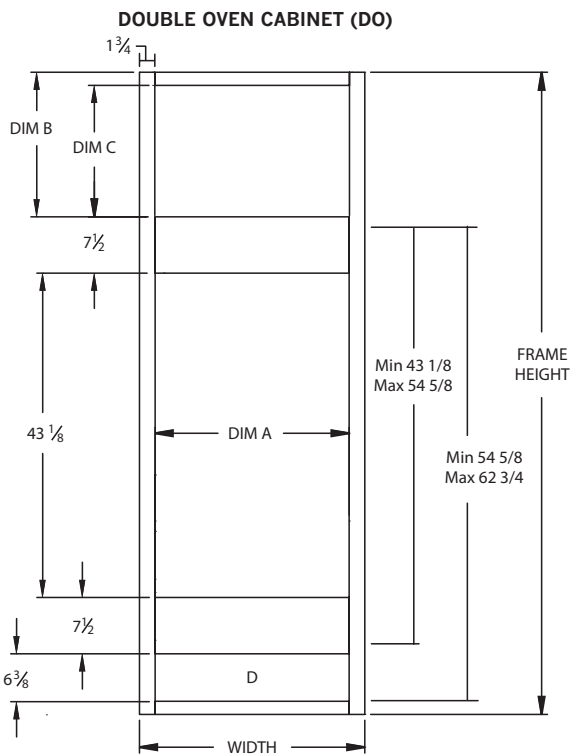
## Oven Cabinet Installation



CABINET WIDTH	DIM A	
	MIN	MAX
27	20 1/2	25 1/2
30	23 1/2	28 1/2
33	26 1/2	31 1/2

CABINET HEIGHT	FRAME HEIGHT	DIM B	DIM C
84	79 1/2	16 1/4	14 1/2
90	85 1/2	22 1/4	20 1/2
96	91 1/2	28 1/4	26 1/2

- Three openings for drawers, bottom drawer furnished. Additional drawers may be purchased, See oven drawers pg. 57.
- All oven cabinets can be cut to fit a majority of oven units manufactured.



CABINET WIDTH	DIM A	
	MIN	MAX
30	26 1/2	28 1/2
33	29 1/2	31 1/2
36	32 1/2	34 1/2

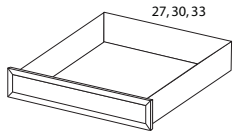
CABINET HEIGHT	FRAME HEIGHT	DIM B	DIM C
84	79 1/2	13 1/4	11 1/2
90	85 1/2	19 1/4	17 1/2
96	91 1/2	25 1/4	23 1/2

- Double oven cabinets furnished with one drawer
- Toe kick shipped attached, specify loose



<b>Item Description</b>	Concord Maple Concord RP Maple Winslow Maple Wyatt Maple	Chandler RP Maple Dover Maple	Atlanta Maple Atlanta RP Maple
-------------------------	---	----------------------------------	-----------------------------------

**Oven Drawer**



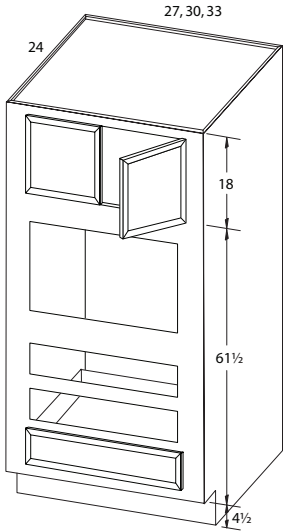
OD27	243	247	249
OD30	256	263	268
OD33	299	306	312

- Applies only to Oven Cabinets (O27, O30, O33)
- Drawer guide assembly included



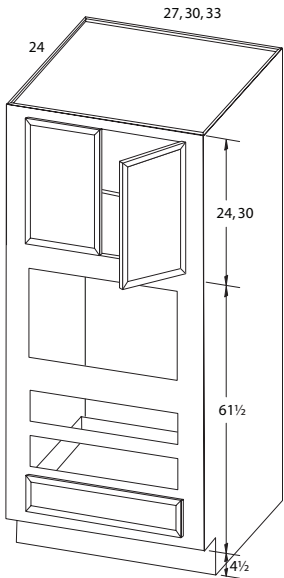
Item Description	A	B	C	D	E
	Concord Maple	Concord RP Maple Winslow Maple Wyatt Maple	Chandler RP Maple Dover Maple	Atlanta Maple	Atlanta RP Maple

**84", 90", 96" High Oven Cabinets**



02784	1039	1100	1124	1138	1258
03084	1134	1198	1220	1240	1364
03384	1211	1279	1306	1325	1460

- No shelf
- Butt doors
- Three openings for drawers; 1 drawer furnished (bottom)
- Custom cutout modifications not available
- 4 1/2" Toe kick shipped attached, specify loose
- See installation guide pg. 56 for specifications & width and height cutout dimensions



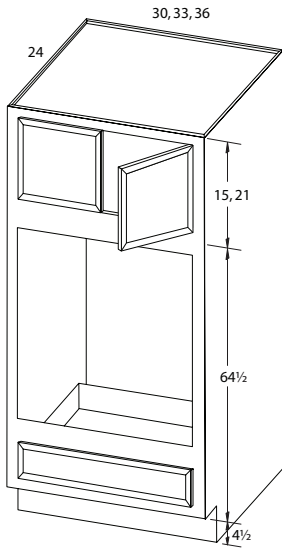
02790	1146	1209	1233	1253	1378
03090	1235	1304	1330	1350	1487
03390	1309	1386	1415	1434	1575
02796	1250	1319	1347	1367	1504
03096	1341	1416	1443	1466	1612
03396	1406	1486	1516	1539	1693

- 1/2 Depth shelf
- Butt doors
- Three openings for drawers; 1 drawer furnished (bottom)
- Custom cutout modifications not available
- 4 1/2" Toe kick shipped attached, specify loose
- See installation guide pg. 56 for specifications & width and height cutout dimensions



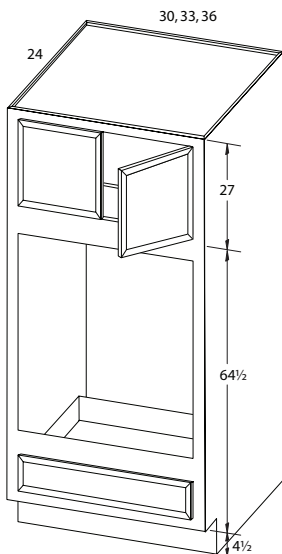
Item Description	A	B	C	D	E
	Concord Maple	Concord RP Maple Winslow Maple Wyatt Maple	Chandler RP Maple Dover Maple	Atlanta Maple	Atlanta RP Maple

### 84", 90", 96" High Double Oven Cabinets



D03084	1134	1198	1220	1240	1364
D03384	1211	1279	1306	1325	1460
D03684	1322	1389	1418	1435	1564
D03090	1235	1304	1330	1350	1487
D03390	1309	1386	1415	1434	1575
D03690	1421	1496	1526	1544	1680

- No shelf
- Butt doors
- One Drawer
- Custom cutout modifications not available
- 4 1/2" Toe kick shipped attached, specify loose
- See installation guide pg. 56 for specifications & width and height cutout dimensions



D03096	1341	1416	1443	1466	1612
D03396	1406	1486	1516	1539	1693
D03696	1518	1596	1628	1648	1798

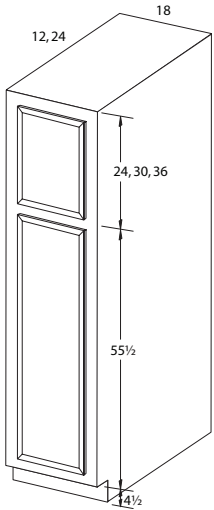
- 1/2 Depth shelf
- Butt doors
- One Drawer
- Custom cutout modifications not available
- 4 1/2" Toe kick shipped attached, specify loose
- See installation guide pg. 56 for specifications & width and height cutout dimensions





Item Description	A	B	C	D	E
	Concord Maple	Concord RP Maple Winslow Maple Wyatt Maple	Chandler RP Maple Dover Maple	Atlanta Maple	Atlanta RP Maple

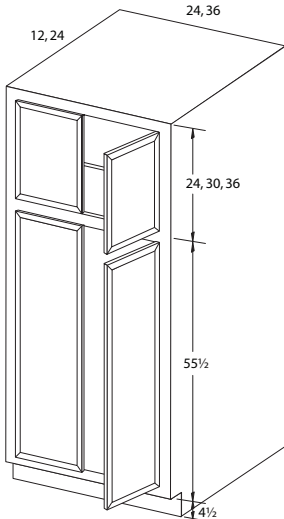
### 84", 90", 96" High Utility Cabinets



U181284	744	783	799	811	898
U182484	872	920	939	953	1048
U181290	805	834	850	864	935
U182490	928	964	984	998	1080
U181296	877	861	878	890	1009
U182496	999	1011	1032	1047	1149

- Top section has 1/2 depth shelf
- 4 1/2" Toe kick shipped attached, specify loose
- Shelving & pullouts sold separately, pg. 74-75

• **The following door styles will have a 2-piece panel on bottom door: Dover, Concord, Concord RP, Wyatt; All other door styles will have a 1-piece panel on bottom door**



U241284	903	946	965	978	1075
U242484	983	1033	1054	1071	1186
U361284	1305	1321	1349	1368	1520
U362484	1433	1452	1480	1502	1668
U241290	992	1002	1023	1038	1142
U242490	1109	1123	1144	1162	1279
U361290	1380	1395	1424	1444	1590
U362490	1557	1575	1607	1633	1798
U241296	1082	1071	1092	1109	1242
U242496	1173	1160	1183	1202	1343
U361296	1545	1563	1595	1617	1809
U362496	1757	1780	1816	1843	2064

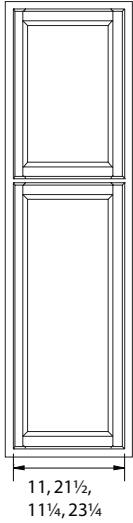
- Top section has 1/2 depth shelf
- Butt doors
- 4 1/2" Toe kick shipped attached, specify loose
- Shelving & pullouts sold separately, pg. 74-75

• **The following door styles will have a 2-piece panel on bottom door: Dover, Concord, Concord RP, Wyatt; All other door styles will have a 1-piece panel on bottom door**



Item Description	A	B	C	D	E
	Concord Maple	Concord RP Maple Winslow Maple Wyatt Maple	Chandler RP Maple Dover Maple	Atlanta Maple	Atlanta RP Maple

### Matching Tall End Panel



MTEP1284	222	345	353	356	427
MTEP1290	240	375	382	389	456
MTEP1296	268	414	424	430	484

MTEP2484	353	503	514	522	615
MTEP2490	398	557	569	578	650
MTEP2496	440	592	606	614	671

- 3/16" Thick plywood panel
- 12" MTEP: 11 1/4" W panel; door size: 11"
- 24" MTEP: 23 1/4" W panel; door size: 21 1/2"
- Panel & door shipped loose
- Toe space field notched

- **The following door styles will have a 2-piece panel on bottom door: Dover, Concord, Concord RP, Wyatt; All other door styles will have a 1-piece panel on bottom door**

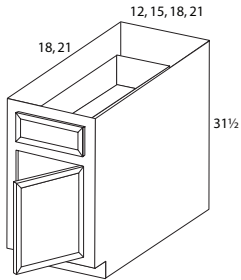
### Door Dimensions

H	W	1/2" Overlay	Full Overlay
84"	12"	9-1/2" W x 21-1/2" H	11-5/8" W x 23-5/8" H
		9-1/2" W x 54-3/4" H	11-5/8" W x 55-5/8" H
	24"	21-1/2" W x 21-1/2" H	23-5/8" W x 23-5/8" H
		21-1/2" W x 54-3/4" H	23-5/8" W x 55-5/8" H
90"	12"	9-1/2" W x 27-1/2" H	11-5/8" W x 29-5/8" H
		9-1/2" W x 54-3/4" H	11-5/8" W x 55-5/8" H
	24"	21-1/2" W x 27-1/2" H	23-5/8" W x 29-5/8" H
		21-1/2" W x 54-3/4" H	23-5/8" W x 55-5/8" H
96"	12"	9-1/2" W x 33-1/2" H	11-5/8" W x 35-5/8" H
		9-1/2" W x 54-3/4" H	11-5/8" W x 55-5/8" H
	24"	21-1/2" W x 33-1/2" H	23-5/8" W x 35-5/8" H
		21-1/2" W x 54-3/4" H	23-5/8" W x 55-5/8" H



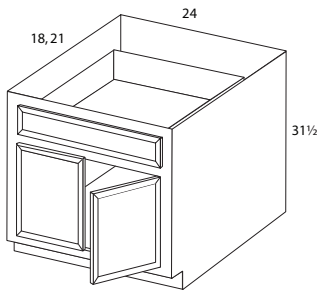
Item Description	A	B	C	D	E
	Concord Maple	Concord RP Maple Winslow Maple Wyatt Maple	Chandler RP Maple Dover Maple	Atlanta Maple	Atlanta RP Maple

### Vanity Base, 31 1/2" High



VB12	270	284	291	295	324
VB1218	270	284	291	295	324
VB15	282	299	306	309	337
VB1518	282	299	306	309	337
VB18	330	348	356	359	395
VB1818	330	348	356	359	395
VB21	366	388	397	402	442
VB2118	366	388	397	402	442

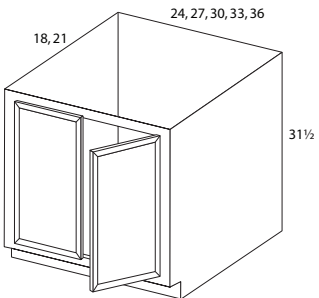
- No shelf
- Specify L/R hinge
- 4 1/2" Toe kick



VB24	448	475	484	490	539
VB2418	448	475	484	490	539

- No shelf
- Butt doors
- 4 1/2" Toe kick

### Vanity Sink Base, 31 1/2" High



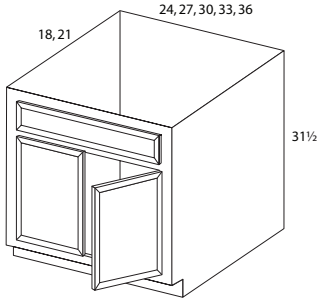
VS24	400	420	430	435	480
VS2418	400	420	430	435	480
VS27	411	436	445	451	494
VS2718	411	436	445	451	494
VS30	413	438	447	454	498
VS3018	413	438	447	454	498
VS33	423	447	456	463	508
VS3318	423	447	456	463	508
VS36	435	460	470	477	524
VS3618	435	460	470	477	524

- No shelf
- Butt doors
- 4 1/2" Toe kick



Item Description	A	B	C	D	E
	Concord Maple	Concord RP Maple Winslow Maple Wyatt Maple	Chandler RP Maple Dover Maple	Atlanta Maple	Atlanta RP Maple

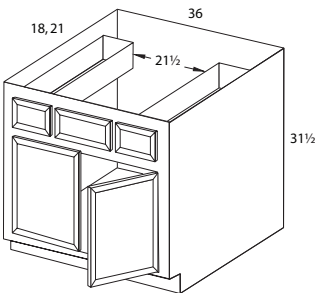
### Vanity Sink Base with Drawer Blanks, 31 1/2" High



VS24B	424	448	457	464	509
VS2418B	424	448	457	464	509
VS27B	436	462	473	479	526
VS2718B	436	462	473	479	526
VS30B	439	465	476	482	532
VS3018B	439	465	476	482	532
VS33B	451	477	486	493	541
VS3318B	451	477	486	493	541
VS36B	462	489	500	507	559
VS3618B	462	489	500	507	559

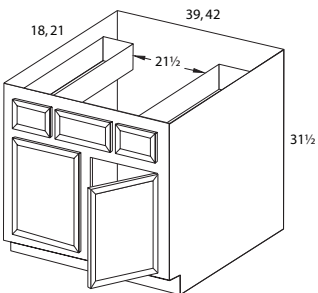
- No shelf
- Butt doors
- 4 1/2" Toe kick

### Vanity Sink Base with Drawers, 31 1/2" High



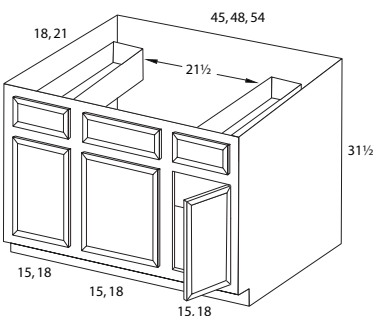
VSB36	611	630	644	652	704
VSB3618	611	630	644	652	704

- No shelf
- Butt doors
- 4 1/2" Toe kick



VSB39	636	658	670	676	735
VSB3918	636	658	670	676	735
VSB42	659	685	698	706	765
VSB4218	659	685	698	706	765

- No shelf
- 4 1/2" Toe kick



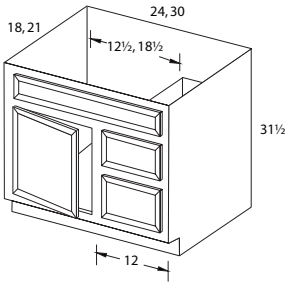
VSB45	717	742	758	766	830
VSB4518	717	742	758	766	830
VSB48	733	758	773	782	848
VSB4818	733	758	773	782	848
VSB54	756	785	801	810	877
VSB5418	756	785	801	810	877

- No shelf
- Doors hinged L, R, R
- 4 1/2" Toe kick



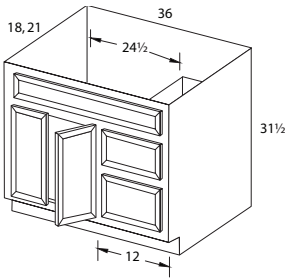
Item Description	A	B	C	D	E
	Concord Maple	Concord RP Maple Winslow Maple Wyatt Maple	Chandler RP Maple Dover Maple	Atlanta Maple	Atlanta RP Maple

### Combination Vanity Sink Base, 31 1/2" High



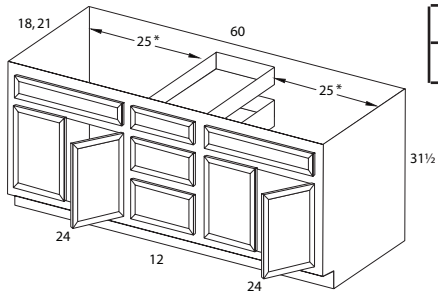
CVS24B	654	674	690	696	753
CVS2418B	654	674	690	696	753
CVS30B	685	708	722	732	792
CVS3018B	685	708	722	732	792

- No shelf
- 1 Drawer blank & 2 deep drawers
- Specify drawers L/R
- 4 1/2" Toe kick



CVS36B	697	723	739	744	808
CVS3618B	697	723	739	744	808

- No shelf
- 1 Drawer blank & 2 deep drawers
- Specify drawers L/R
- Butt doors
- 4 1/2" Toe kick



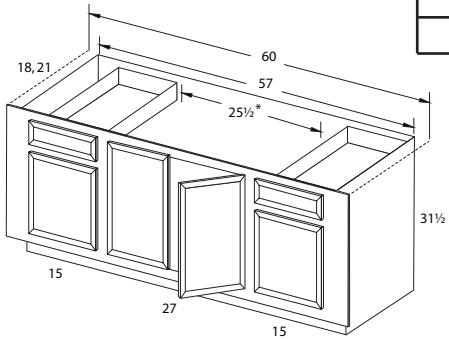
VSD60	1401	1452	1480	1498	1752
VSD6018	1401	1452	1480	1498	1752

- No shelf
- 1 Standard depth drawer & 2 deep drawers
- Butt doors
- 4 1/2" Toe kick



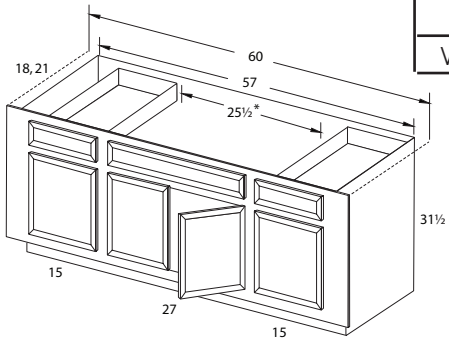
Item Description	A	B	C	D	E
	Concord Maple	Concord RP Maple Winslow Maple Wyatt Maple	Chandler RP Maple Dover Maple	Atlanta Maple	Atlanta RP Maple

**Vanity Sink Base Extended Stiles, 31 1/2" High**



VSDE57	1401	1452	1480	1498	1752
VSDE5718	1401	1452	1480	1498	1752

- No shelf
- Butt doors
- Trimmable 1 1/2" per side
- 4 1/2" Toe kick



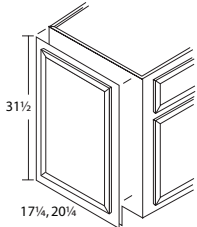
VSDE57B	1401	1452	1480	1498	1752
VSDE5718B	1401	1452	1480	1498	1752

- No shelf
- 1 Drawer blank
- Butt doors
- Trimmable 1 1/2" per side
- 4 1/2" Toe kick



Item Description	A	B	C	D	E
Concord Maple					
Concord RP Maple Winslow Maple Wyatt Maple					
Chandler RP Maple Dover Maple					
Atlanta Maple					
Atlanta RP Maple					

### Matching Vanity End Panel, 31 1/2" High



MVEP	185	228	233	237	259
MVEP18	185	228	233	237	259

- 3/16" Thick plywood panel
- Panel & door shipped loose
- Toe space field notched

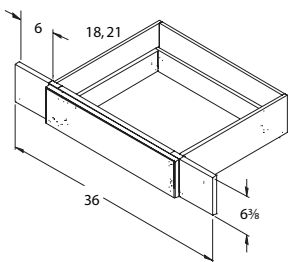
#### Door Dimensions

	1/2" Overlay	Full Overlay
MVEP	18-1/2" W x 24-1/2" H	20-5/8" W x 26-5/8" H
MVEP18	15-1/2" W x 24-1/2" H	17-5/8" W x 26-5/8" H



Item Description	A	B	C	D	E
Concord Maple					
Concord RP Maple Winslow Maple Wyatt Maple					
Chandler RP Maple Dover Maple					
Atlanta Maple Atlanta RP Maple					

### Vanity Knee Drawer



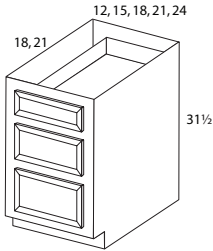
VKD36	175	175	212
VKD3618	175	175	212

- Trimmable to 24"
- Drawer wings shipped loose. Pocket screwed for easy installation



Item Description	Concord Maple Concord RP Maple Winslow Maple Wyatt Maple	Chandler RP Maple Dover Maple	Atlanta Maple Atlanta RP Maple
------------------	---	----------------------------------	-----------------------------------

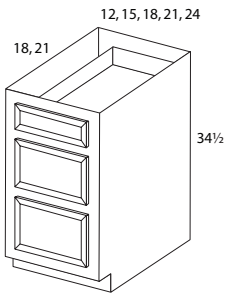
### Vanity Drawer Base, 31 1/2" High



VDB12	693	714	734
VDB1218	693	714	734
VDB15	718	741	764
VDB1518	718	741	764
VDB18	733	756	778
VDB1818	733	756	778
VDB21	763	789	814
VDB2118	763	789	814
VDB24	788	816	844
VDB2418	788	816	844

- 1 Standard depth drawer
- 2 Deep drawers
- 4 1/2" Toe kick

### Tall Vanity Triple Drawer Base, 34 1/2" High



VTD12T	776	803	829
VTD1218T	776	803	829
VTD15T	808	838	868
VTD1518T	808	838	868
VTD18T	825	856	887
VTD1818T	825	856	887
VTD21T	864	896	927
VTD2118T	864	896	927
VTD24T	887	924	961
VTD2418T	887	924	961

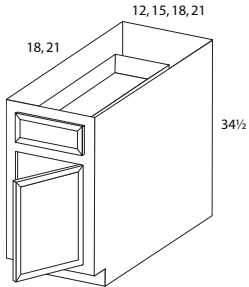
- 1 Standard depth drawer
- 2 Deep drawers
- 4 1/2" Toe kick





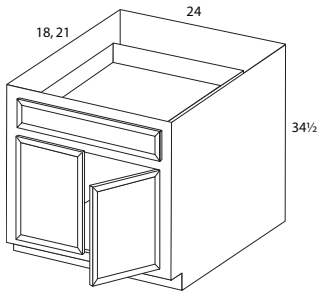
Item Description	A		B		C		D		E	
	Concord Maple		Concord RP Maple Winslow Maple Wyatt Maple		Chandler RP Maple Dover Maple		Atlanta Maple		Atlanta RP Maple	

### Tall Vanity Base, 34 1/2" High



VB12T	324	340	348	353	389
VB1218T	324	340	348	353	389
VB15T	338	358	366	370	407
VB1518T	338	358	366	370	407
VB18T	394	414	424	430	473
VB1818T	394	414	424	430	473
VB21T	465	491	502	508	559
VB2118T	465	491	502	508	559

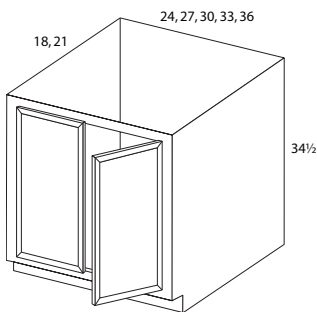
- No shelf
- Specify L/R hinge
- 4 1/2" Toe kick



VB24T	537	567	580	587	645
VB2418T	537	567	580	587	645

- No shelf
- Butt doors
- 4 1/2" Toe kick

### Tall Vanity Sink Base, 34 1/2" High



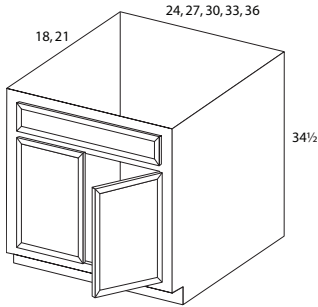
VS24T	478	505	516	524	576
VS2418T	478	505	516	524	576
VS27T	492	523	534	541	593
VS2718T	492	523	534	541	593
VS30T	494	526	537	544	597
VS3018T	494	526	537	544	597
VS33T	509	538	549	558	610
VS3318T	509	538	549	558	610
VS36T	523	550	561	571	627
VS3618T	523	550	561	571	627

- No shelf
- Butt doors
- 4 1/2" Toe kick



Item Description	A	B	C	D	E
	Concord Maple	Concord RP Maple Winslow Maple Wyatt Maple	Chandler RP Maple Dover Maple	Atlanta Maple	Atlanta RP Maple

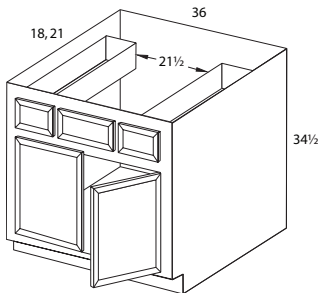
### Tall Vanity Sink Base with Drawer Blanks, 34 1/2" High



VS24BT	506	538	549	558	610
VS2418BT	506	538	549	558	610
VS27BT	523	552	564	574	630
VS2718BT	523	552	564	574	630
VS30BT	531	557	569	578	638
VS3018BT	531	557	569	578	638
VS33BT	542	575	586	592	653
VS3318BT	542	575	586	592	653
VS36BT	557	587	600	609	670
VS3618BT	557	587	600	609	670

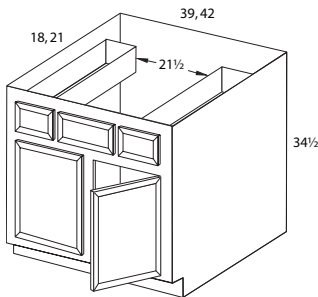
- No shelf
- 1 Drawer blank; butt doors
- 4 1/2" Toe kick

### Tall Vanity Sink Base with Drawers, 34 1/2" High



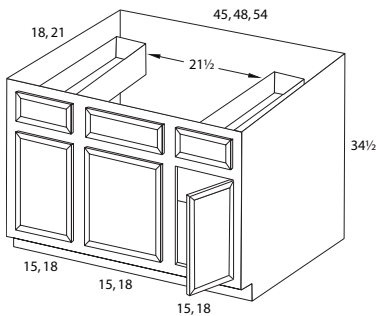
VSB36T	716	741	757	765	829
VSB3618T	716	741	757	765	829

- No shelf
- Butt doors
- 4 1/2" Toe kick



VSB39T	747	775	792	799	865
VSB3918T	747	775	792	799	865
VSB42T	776	806	823	832	900
VSB4218T	776	806	823	832	900

- No shelf
- 4 1/2" Toe kick



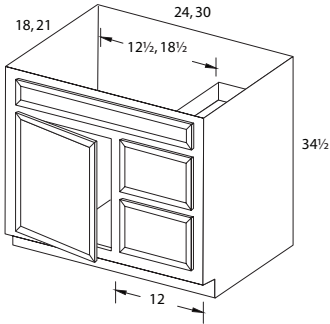
VSB45T	842	875	892	904	979
VSB4518T	842	875	892	904	979
VSB48T	862	895	915	923	1004
VSB4818T	862	895	915	923	1004
VSB54T	872	908	926	938	1096
VSB5418T	872	908	926	938	1096

- No shelf
- Doors hinged L, R, R
- 4 1/2" Toe kick



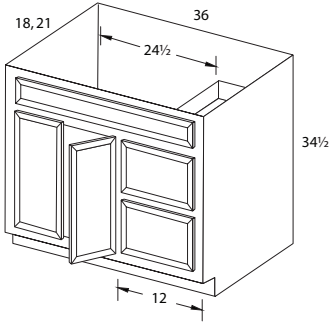
Item Description	A	B	C	D	E
	Concord Maple	Concord RP Maple Winslow Maple Wyatt Maple	Chandler RP Maple Dover Maple	Atlanta Maple	Atlanta RP Maple

### Tall Combination Vanity Sink Base, 34 1/2" High



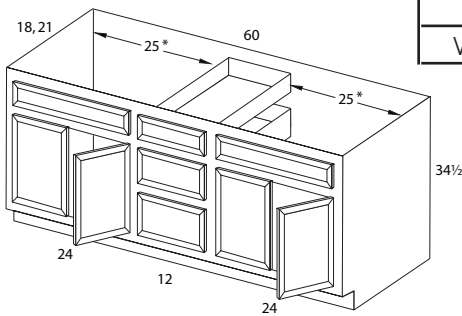
CVS24BT	765	795	811	820	889
CVS2418BT	765	795	811	820	889
CVS30BT	785	814	830	840	912
CVS3018BT	785	814	830	840	912

- No shelf
- 1 Drawer blank & 2 deep drawers
- Specify drawers L/R
- 4 1/2" Toe kick



CVS36BT	821	850	869	878	954
CVS3618BT	821	850	869	878	954

- No shelf
- 1 Drawer blank & 2 deep drawers
- Specify drawers L/R
- Butt doors
- 4 1/2" Toe kick



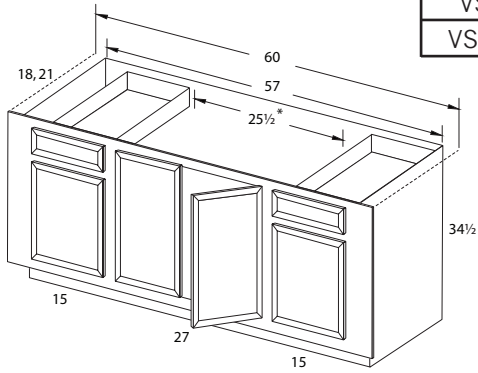
VSD60T	1599	1650	1684	1699	1909
VSD6018T	1599	1650	1684	1699	1909

- No shelf
- Butt doors
- 1 Standard depth drawer & 2 deep drawers
- 4 1/2" Toe kick



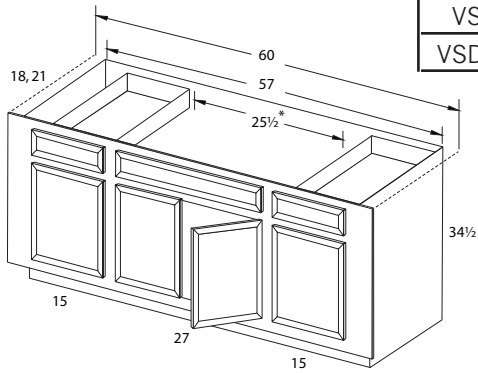
Item Description	A	B	C	D	E
	Concord Maple	Concord RP Maple Winslow Maple Wyatt Maple	Chandler RP Maple Dover Maple	Atlanta Maple	Atlanta RP Maple

### Tall Vanity Sink Base Extended Stiles, 34 1/2" High



VSDE57T	1599	1650	1684	1699	1909
VSDE5718T	1599	1650	1684	1699	1909

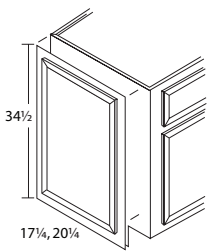
- No shelf
- Butt doors
- Trimmable 1 1/2" per side
- 4 1/2" Toe kick



VSDE57BT	1599	1650	1684	1699	1909
VSDE5718BT	1599	1650	1684	1699	1909

- No shelf
- 1 Drawer blank
- Butt doors
- Trimmable 1 1/2" per side
- 4 1/2" Toe kick

### Tall Matching Vanity End Panel, 34 1/2" High



MVEPT	199	244	249	252	279
MVEP18T	199	244	249	252	279

- 3/16" Thick plywood panel
- Panel & door shipped loose
- Toe space field notched

#### Door Dimensions

	1/2" Overlay	Full Overlay
MVEPT	18-1/2" W x 27-1/2" H	20-5/8" W x 29-5/8" H
MVEP18T	15-1/2" W x 27-1/2" H	17-5/8" W x 29-5/8" H

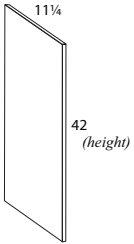


<b>Item Description</b>	Maple
-------------------------	-------

**Details**

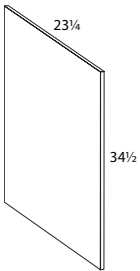
**WFex**

**Skins**



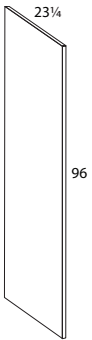
<b>Wall Skins</b>	
WS42	<b>85</b>

- 3/16" Thick plywood
- For painted finishes, edgebanded paint grade MDF used



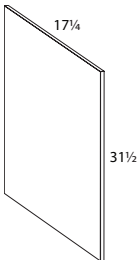
<b>Base Skins</b>	
BS	<b>117</b>

- 3/16" Thick plywood
- For painted finishes, edgebanded paint grade MDF used



<b>Utility Skins</b>	
US2496	<b>301</b>

- 3/16" Thick plywood
- For painted finishes, edgebanded paint grade MDF used



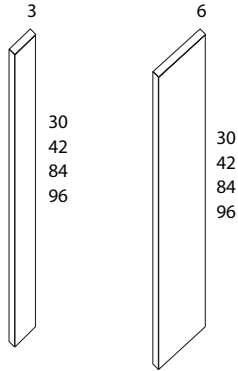
<b>Vanity Skins</b>	
VS	<b>113</b>
18VS	<b>113</b>

- 3/16" Thick plywood
- For painted finishes, edgebanded paint grade MDF used



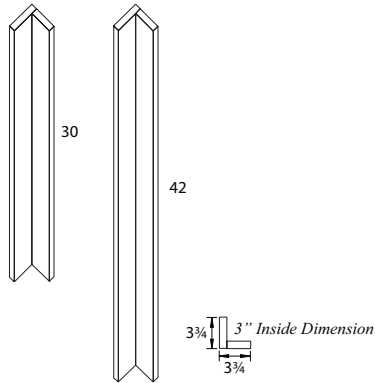
<b>Item Description</b>	Maple
-------------------------	-------

**Details** **WFex**



<b>3 Inch Fillers</b>	
F3	<b>50</b>
F342	<b>65</b>
F384	<b>103</b>
F396	<b>110</b>

- Solid wood construction
- Finished on face and two edges



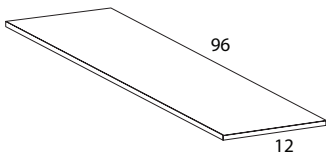
<b>6 Inch Fillers</b>	
F6	<b>79</b>
F642	<b>122</b>
F684	<b>199</b>
F696	<b>218</b>

- Solid wood construction
- Finished on face and two edges

<b>Corner Fillers</b>	
CF3	<b>116</b>
CF342	<b>183</b>

- Solid wood construction
- For 36" H, use 42" H and trim

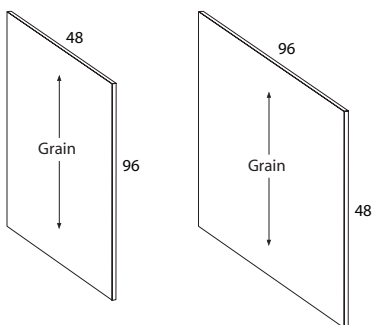
**Shelving** **WFex**



SHV	<b>197</b>
-----	------------

- 3/4" Thick plywood veneer. Available in 96" length only
- Edgebanded on one side
- Long edge finished to match

**Finished Back Panel** **WFex**



FBP4896	<b>368</b>
FBP9648	<b>368</b>

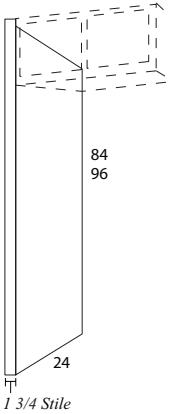
- 3/16" Thick plywood veneer vertical grain
- Custom modifications not available

DETAILS



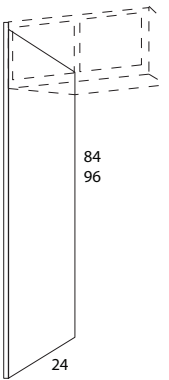
<b>Item Description</b>	Maple
-------------------------	-------

**Details**



<b>Refrigerator End Panel</b>	
REP2484	<b>238</b>
REP2496	<b>284</b>

- 1/2" Plywood veneer on one side & UV clear coat on other side w/ 1-3/4" solid wood stile

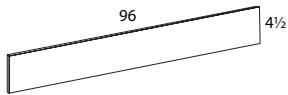


<b>Refrigerator End Panel, 3/4"</b>	
REP2484E	<b>238</b>
REP2496E	<b>284</b>

- 3/4" Plywood veneer
- Finished on both sides & edgebanded on long sides
- For painted finishes, edgebanded paint grade MDF used

**WFlex**

**4 1/2" High Toe Space Cover**

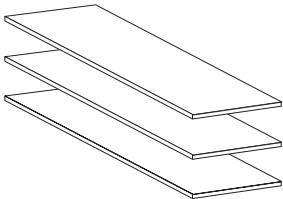


TSC4	<b>50</b>
------	-----------

- 3/16" Thick plywood veneer
- Required on all base, universal access, tall, vanity, & tall vanity cabinets
- For painted finishes, edgebanded paint grade MDF used

**WFlex**

**Shelf Kits - Plywood**



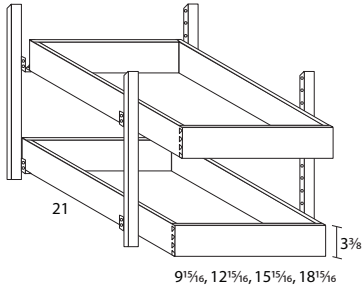
SKP1812	<b>113</b>
SKP1824	<b>167</b>
SKP2412	<b>158</b>
SKP2424	<b>189</b>
SKP3612	<b>187</b>
SKP3624	<b>218</b>

- 3/4" Plywood veneer, edgebanded on one side
- Includes 3 shelves & 12 clips



<b>Item Description</b>	Maple
-------------------------	-------

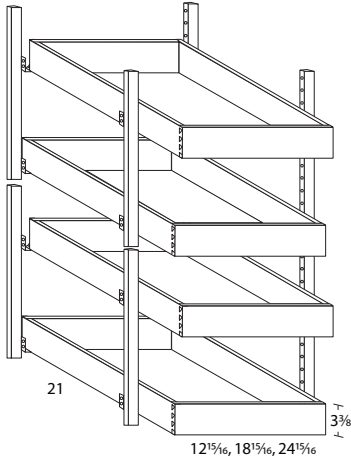
**Details** **WFex**



9<sup>1</sup>/<sub>16</sub>, 12<sup>1</sup>/<sub>16</sub>, 15<sup>1</sup>/<sub>16</sub>, 18<sup>1</sup>/<sub>16</sub>

<b>Sliding Shelf Kits</b>	
SSK15	<b>267</b>
SSK18	<b>282</b>
SSK21	<b>300</b>
SSK24	<b>316</b>

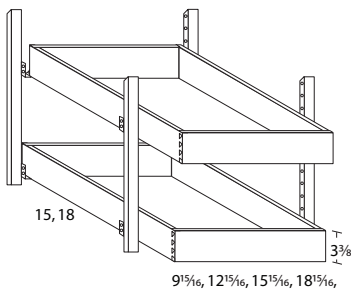
- 2 Adj. shelves per kit
- 20" High Pilasters
- Dovetail construction with full extension, ball-bearing guides
- Depth modifications not available



12<sup>1</sup>/<sub>16</sub>, 18<sup>1</sup>/<sub>16</sub>, 24<sup>1</sup>/<sub>16</sub>

<b>Utility Sliding Shelf Kits</b>	
USK18	<b>557</b>
USK24	<b>641</b>
USK36	<b>757</b>

- 4 Adj. shelves per kit
- 20" High Pilasters
- Dovetail construction with full extension, ball-bearing guides
- Depth modifications not available



9<sup>1</sup>/<sub>16</sub>, 12<sup>1</sup>/<sub>16</sub>, 15<sup>1</sup>/<sub>16</sub>, 18<sup>1</sup>/<sub>16</sub>

<b>Vanity Sliding Shelf Kits</b>	
VSSK15	<b>252</b>
VSSK1518	<b>252</b>
VSSK18	<b>265</b>
VSSK1818	<b>265</b>
VSSK21	<b>275</b>
VSSK2118	<b>275</b>
VSSK24	<b>285</b>
VSSK2418	<b>285</b>

- 2 Adj. shelves per kit
- 20" High Pilasters
- Dovetail construction with full extension, ball-bearing guides
- Depth modifications not available

**DETAILS**





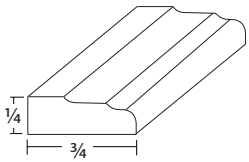
Item Description

Maple

Moldings

WF<sub>ex</sub>

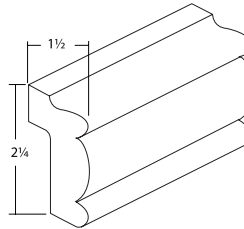
Scribe 3/4



S3/4

31

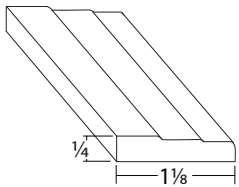
Light Rail



LRM

255

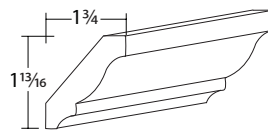
Scribe 1 1/4



S1 1/4

36

Crown



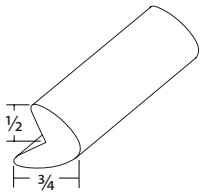
CM8

189

CM10

233

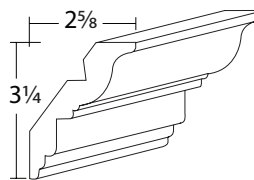
Corner 3/4



C3/4

48

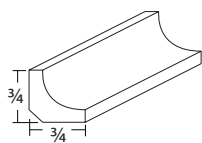
Universal Crown



UCM8

225

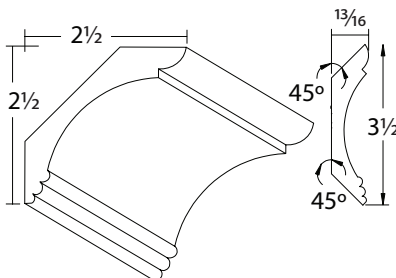
Inside Corner 3/4



IC3/4

43

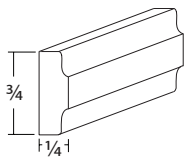
Small Cove



SCVMD

224

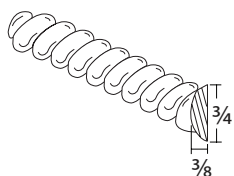
Batten 3/4



B3/4

36

Rope



RM

75

• All moldings are 8 feet in length except where noted.



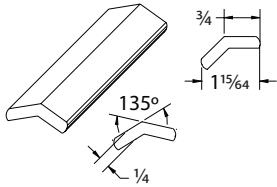
Item Description

Maple

Moldings

WF<sub>EX</sub>

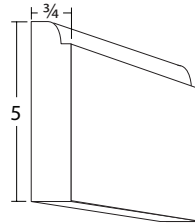
135° Outside



OM135

79

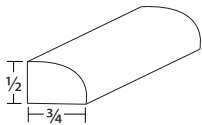
Round Base



RBM

224

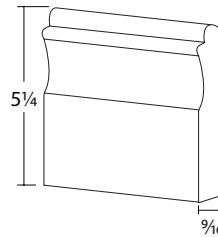
Shoe



SM

50

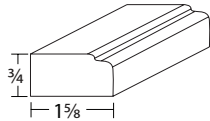
Base



BM

224

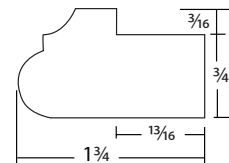
Counter Edge



CE

83

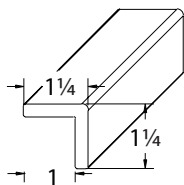
Cap



CAP

136

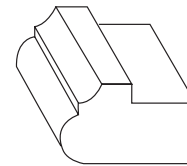
Outside Corner



OCM

137

- Finished on both sides



DETAILS

• All moldings are 8 feet in length except where noted.



Item  
Description

**ALL SALES AIDS ARE \$ NET PRICING**

Sales Support Tools

**Marketing Tools**

<b>Capital Series Price Book</b>	PRICE-CS	<b>11 NET</b>
<b>Capital Series Trifold</b> • Available in pkg. of 10	TRI-CS	<b>11 NET</b>
<b>Sample Door</b> • Specify door style and finish • Finish upcharge applies to order • Overall size: 12 1/2" x 15 1/2"	SD	<b>31 NET</b>
<b>Framed Sample Front</b> • Specify door style and finish • Finish upcharge applies to order • Features a framed door and drawer front • Overall size: 15" x 24" • Labeled with door style, door overlay, wood species, and finish on the back	FSFK	<b>72 NET</b>
<b>Individual Color Block</b> • 6" L x 2-3/4" W; 3/8" Thick • Specify finish on order • Each sample is labeled with wood specie, finish color and glaze on the back • <b>Not available on Quick Ship</b>	BLOCKS-M	<b>4 NET</b>
<b>Color Block Kit</b> • Includes all finishes • Block size: 6" L x 2-3/4" W; 3/8" Thick • Each sample is labeled with wood specie, finish color and glaze on the back • <b>Not available on Quick Ship</b>	CBK-CS	<b>58 NET</b>

Large quantity orders may require additional lead-time.  
Wellborn Forest reserves the right to update or change its Sales Aids.



Item Description

ALL SALES AIDS ARE \$ NET PRICING

Sales Support Tools

Sales Support Tools

**Dealer Starter Kit**

- Capital Series Dealer Starter Kit includes marketing materials and sales tools to get started
- (1) Price Book
- (1) Pk. of Literature
- (10) Pre-selected sample doors

Kit includes the following door styles:

- Atlanta Honey Chocolate
- Atlanta RP Nutmeg
- Concord Arctic Chocolate
- Concord RP Earl Grey
- Dover Arctic
- Dover Champagne
- Dover Java
- Chandler RP Ginger
- Wyatt Hazelnut
- Winslow Oyster

DSK-CS

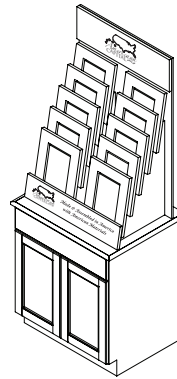
279 NET

**Capital Dealer Display**

- This scaled-down selection center features Atlanta RP Maple Arctic
  - 32" W x 25" D x 81-1/2" H
- Display includes:
- (1) 30" wide base cabinet with wood top
  - (1) door rack with branded signage
  - (10) pre-selected sample doors (DSK-CS), assembled with door backers and finish labels
  - Color Block Kit, Price book, and literature included

DSP-CS

1638 NET

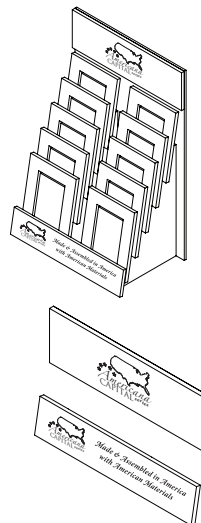


**Capital Door Rack Only**

- Door Rack is finished in Arctic
- 45"H x 30" W x 19" D
- Door Rack is shipped loose; assembly required - instructions included
- Sample doors sold separately, see DSK
- Rack consists of:
  - (3) Supports
  - (4) Rack Arms
  - (1) Back
  - (1) Bottom Display Sign
  - (1) Top Display Sign

CS-RCK

258 NET



**Capital Display Sign**

- Sign Set includes a top & bottom sign
- Top Display Sign: 9" H x 30" W x 3/4" T
- Bottom Display Sign: 6" H x 30" W x 3/4" T

SIGN-CS

72 NET

SALES TOOLS



Item  
Description

ALL FINISH & PART ITEMS ARE \$ LIST PRICING

Finishing & Parts

WF<sub>ex</sub>

Finishing & Parts

<p><b>Touch Up Kit</b></p> <ul style="list-style-type: none"> <li>• Kit includes:               <ul style="list-style-type: none"> <li>(1) crayon</li> <li>(1) marker</li> <li>(1) scraper card</li> <li>(1) buffing pad</li> </ul> </li> <li>• Available in all finishes</li> </ul>	TUK	72 LIST
<p><b>Pint of Stain</b></p> <ul style="list-style-type: none"> <li>• Available in pints only</li> <li>• Available in all stains and all glazes</li> <li>• Paints not available</li> </ul>	STAIN	32 LIST
Cabinet Mounting Bracket - Left	SCFA_CML	4 LIST
Cabinet Mounting Bracket - Right	SCFA_CMR	4 LIST
Full Access 12 in Drawer Guide Sets	SCFA15	105 LIST
Full Access 15 in Drawer Guide Sets	SCFA18	105 LIST
Full Access 18 in Drawer Guide Sets	SCFA21	105 LIST
Full Access 21 in Drawer Guide Sets	SCFA24	105 LIST
1-9/16" Overlay Hinge	FAD-HINGES	15 LIST (EA)
1/2" Overlay Hinge	HAD-HINGES	15 LIST (EA)
Integrated Soft Close Hinge	ISC-HINGES	30 LIST (EA)

# Ten Year Limited Warranty



Wellborn Forest Inc. warrants its products to the original consumer purchaser to be free from defects in material and workmanship under normal residential use for a period of ten years of the original consumer purchaser. This warranty is non-transferable.

During this warranty period, Wellborn Forest will repair or replace, at our discretion, any cabinet or its component which proves to be defective in material and/or workmanship under normal installation, use and service. **This warranty is limited to the replacement of defective parts and does not include service, labor, or transportation charges related to the removal or installation of defective parts, regardless of whether work was performed by a contractor, Service Company or yourself. In addition, this warranty does not include labor or damage related to improper installation, storage, misuse or neglect.**

This warranty shall not apply to Americana Capital Series Cabinetry or parts that have been subjected to alteration, modification, accident, damage in transit, abnormal use, extreme temperature, moisture levels, or abrasive cleaning chemicals. Cabinet integrity is limited to the Kitchen Cabinet Manufacturers Association testing and certification standards which comply with the American National Standards Institute #A161.1-2000.

This warranty does not apply to any products used or installed in conjunction with Americana Capital Series Cabinets such as plumbing fixtures, counter tops, or appliances. Use of Americana Capital Series Cabinetry or parts contrary to instructions furnished by Wellborn Forest will void this warranty.

All claims for defective products must be submitted, in writing, to the Americana Capital Series dealer from whom you purchased this product, detailing the specific problem. Proof of purchase (a copy of the original invoice or dated sales receipt from an Americana Capital Series dealer) is required. Warranty claims must be initially made through your Americana Capital Series dealer. The Americana Capital Series dealer will present the warranty claims to Wellborn Forest. Wellborn Forest reserves the right to inspect the claimed defective cabinets to require that the replacements will be invoiced upon shipment and credit issued upon the return and inspection of defective product. If you need further assistance, please contact:

Wellborn Forest Inc.; Account Services/Warranty Claim; 2212 Airport Blvd.; Alexander City, AL 35010

#### Special considerations:

- a.) Doors that are warped 1/4" or less must be allowed to hang through two (2) seasons (ex. Spring, Summer) before replacement will be made. Typically, the door will return to its normal flat position after conditioning to its environment. Prior to requesting a replacement, please be sure that the problem is not an installation deficiency.
- b.) Finish deviations must be inspected by an authorized Wellborn Forest representative. Determination will be made following the inspection whether to repair in the field or to return the product to the factory for refinishing or replacement. No field repair may be made without approval from Wellborn Forest.
- c.) Stain variations: Since no two trees are the same, wood is a unique material with natural variations in grain, texture, and color. These variations may also cause considerable differences between old samples and new cabinets. Please Note: Newly produced cabinets will never be the same color as aged samples or cabinets.
- d.) Mitered doors: Mitered doors allow a .012" joint gap 1" from inside bead. Mitered doors are not warranted against joint separations that occur as a result of high humidity or moisture conditions. Painted finishes are not recommended on mitered designs.
- e.) Veneered panels: Veneered panel doors are not guaranteed to match solid wood framing on the same door in either the raw or finished state. Veneers will absorb stain differently than solid wood. The mismatch of solid and veneers is not considered defective.
- f.) Some replacement parts are subject to availability and may differ from those originally supplied as part of our ongoing product development process.

No dealer or agent of Wellborn Forest has any authority to change or enlarge the above warranty or Wellborn Forest's responsibility.

**THE WARRANTY STATEMENTS CONTAINED IN THIS LIMITED WARRANTY SET FORTH THE ONLY EXPRESS WARRANTIES EXTENDED BY WELLBORN FOREST FOR THE CABINETS. IN LIEU OF ALL OTHER WARRANTIES, THE PROVISIONS OF THE WARRANTY SHALL CONSTITUTE THE ENTIRE LIABILITY OF WELLBORN FOREST AND THE PROPERTY OWNER'S EXCLUSIVE REMEDY FOR BREACH OF THE WARRANTY. WELLBORN FOREST SHALL NOT BE LIABLE TO THE PROPERTY OWNER FOR INCIDENTAL OR CONSEQUENTIAL DAMAGES FOR BREACH OF AN EXPRESS OR IMPLIED WARRANTY ON THE CABINETS.**

This warranty became effective February 2019, and covers cabinets ordered on or after February 2019. Cabinets ordered before February 2019, are covered by the warranty in effect at the time of purchase.

Some states do not allow the exclusion or limitation of incidental or consequential damages, so the above limitations or exclusions may not apply to you. This warranty gives you specific legal rights and you may also have other rights which vary from state to state.



## INDEX BY DESCRIPTION

Arch Canopy Wood Hood.....	34		
		<b>A</b>	
		<b>B</b>	
Bar Bracket .....	35		
Base Cabinets .....	36-37		
Base Cabinet with Pullout Shelves.....	39		
Base End Panel .....	47		
Base Lazy Susans .....	42		
Base Microwave Cabinet .....	40		
Base Tray Divider Cabinet .....	36		
Base Triple Drawer .....	40		
Blind Corner Wall .....	29-31		
		<b>C</b>	
Color Block Kit .....	78		
Combination Vanity Sink Base .....	64		
Combination Vanity Sink Drawer Base .....	64		
Corner Blind Base .....	45		
Corner Blind Sink Base .....	45		
Corner Filler .....	73		
Corner Sink Base .....	43		
Corner Susan Base .....	43		
Country Sink/Range Base .....	38		
		<b>D</b>	
Desk End Panel .....	47		
Diagonal Corner Wall .....	27		
Diagonal Corner Sink Base.....	44		
Diagonal Corner Sink Front.....	41		
Diagonal Corner Susan Wall.....	27		
Double Oven Cabinets .....	59		
Double Trash Can Cabinets.....	46		
Drawer Guides .....	80		
		<b>F</b>	
Fillers .....	73		
Finished Back Panel .....	73		
		<b>H</b>	
Hinges (Parts) .....	80		
		<b>L</b>	
Liner (Canopy Wood Hood).....	34		
		<b>M</b>	
Matching End Panel - Base .....	46		
Matching End Panel - Tall .....	61		
Matching End Panel - Universal Access .....	54		
Matching End Panel - Vanity .....	66		
Matching End Panel - Vanity Tall .....	71		
Matching End Panel - Wall.....	33		
Microwave Wall .....	28		
Moldings .....	76-77		
		<b>O</b>	
Oven Cabinets .....	58		
Oven Cabinets - Universal Access.....	55		
Oven Drawer .....	57		
		<b>P</b>	
Parts .....	80		
Peninsula Base Cabinets .....	42		
Peninsula Wall Cabinets .....	32		
Price Book - Capital Series .....	78		
		<b>R</b>	
Refrigerator End Panels .....	74		
Refrigerator Walls .....	26		
		<b>S</b>	
Sales Aids .....	78-79		
Sample Door Kit .....	79		
Sample Doors .....	78		
Sample Front (Framed) .....	78		
Shelf Kits .....	74		
Shelving .....	73		
Sink Front .....	41		
Sink Front Flooring .....	47		
Sink/Range Base Cabinets .....	37		
Skins - Base .....	72		
Skins - Utility .....	72		
Skins - Vanity .....	72		
Skins - Wall .....	72		
Sliding Shelf Kits .....	75		
Square Corner Wall .....	31		
Straight Canopy Wood Hood.....	34		
Super Susan Base .....	44		
		<b>T</b>	
Tall Combination Vanity Sink Base .....	70		
Tall Combination Vanity Sink Drawer Base.....	70		
Tall Vanity Sink Base Extended Stiles.....	71		
Tall Vanity Sink Base with Drawer Blanks.....	69		
Tall Vanity Sink Base with Drawers.....	69		
Tall Vanity Base Cabinets .....	68		
Tall Vanity Sink Base Cabinets .....	68		
Tall Vanity Triple Drawer Base .....	67		
Toe Space Cover .....	74		
Toe Space Cover - Universal Access.....	54		
Touch Up Kit .....	80		
Trash Can Base Cabinet .....	46		
Trifold-Capital Series .....	78		
		<b>U</b>	
Universal Access Base Cabinets.....	48		
Universal Access Base Cabinet with Full Height Door.....	49		
Universal Access Base Microwave.....	52		
Universal Access Corner Blind Base.....	53		
Universal Access Corner Sink Base .....	51		
Universal Access Diagonal Corner Sink Base.....	52		
Universal Access Drawer Base .....	50		
Universal Access Oven Cabinets .....	55		
Universal Access Floating Sink Base Cabinet.....	49		
Universal Access Super Susan Base .....	51		
Universal Access Toe Space Cover .....	54		
Universal Access Trash Base Cabinet .....	54		
Universal Microwave Wall .....	28		
Utility Cabinets .....	60		
		<b>V</b>	
Valance - Straight .....	35		
Vanity Base Cabinets .....	62		
Vanity Drawer Base .....	67		
Vanity Knee Drawer .....	66		
Vanity Sink Base Cabinets .....	62		
Vanity Sink Base Extended Stiles .....	65		
Vanity Sink Base with Drawer Blanks .....	63		
Vanity Sink Base with Drawers.....	63		
Ventilator (250 CFM) .....	34		
		<b>W</b>	
Wall Cabinets .....	20-25		
Wine Racks .....	35		
Wood Hoods .....	34		

# ALL WOOD CONSTRUCTION



## CABINET DURABILITY

- 1/2" Plywood veneer exterior sides, top and bottom is laminated natural maple wood grain interior, finished to match when finished end is specified
- 3/4" x 1 3/4" Solid hardwood face frame
- 1/2" Plywood I-beam brace
- Adjustable 3/4" thick laminated plywood shelving  
Base cabinets shelves are standard 1/2 depth of cabinet
- 3/16" Hardwood laminated backs
- 5/8" Solid wood dovetail drawer box with 3/16" plywood bottom
- Soft-close full-access (7/8 extension) dual undermount drawer guide
- 6-Way adjustable, concealed cup hinge, 110 degree opening
- Integrated soft-close door hinge

2212 Airport Blvd.  
Alexander City, AL 35010  
[www.wellbornforest.com](http://www.wellbornforest.com)

TEN YEAR  
LIMITED  
WARRANTY

