

DEALER CATALOG



Forevermark
cabinetry™ 

forevermarkcabinetry.com



DEAR CUSTOMER,

Thank you for choosing Forevermark Cabinetry, a brand and subsidiary of The Shekia Group, LLC ("TSG"). We are very proud of our products and know that you will be a valued member of our family. TSG stands behind our quality products and friendly service. We are looking forward to helping your business grow. Please feel free to contact our office directly for any questions you may have.

Sincerely,

Your Forevermark Cabinetry/ TSG Team

1130 King Georges Post Road
Edison, NJ, 08837
Phone: (732) 372-7668
Fax: (732) 372-7669

Orders: Orders@tsgcabinets.com
Claims: Claims@tsgcabinets.com
Billing: Billing@tsgcabinets.com
Shipping: Shipping@tsgcabinets.com

Hours of Operation:

Office: 8am - 5pm
Common Carriers/Ground Shipments: 8am - 5pm
Pick-up Orders: 10am - 3pm





CONTENTS

Cabinet Styles

Cabinet Lines - Door Styles.....	6
Cabinet Details.....	8

Pricing

Wall Cabinets.....	12
Base Cabinets.....	16
Rollout Trays.....	23
Special Cabinets.....	23
Panels.....	24
Glass & End Decor Doors.....	26
Trim Details (Pilaster, Valances, Moldings, etc).....	29
Corbels & Appliques.....	31
Decor Legs & Pilasters.....	32
Wall & Base Fillers.....	33
Overlay Fillers.....	34
Vanities.....	35

Ordering Details

Placing Orders.....	36
Delivery & Shipping Information.....	37
Replacements & Returns.....	38

Warranty

Limited Warranty Information.....	39
-----------------------------------	----

Order Forms

Gold Styles (VW, PW, PD, AN, PR, AP, AW).....	41
Platinum Styles (GW, SL, AB, AG, AR, AX, TW, TS).....	43
Titanium Styles (AN, TG, TQ).....	45
Return/Replacement Form.....	47

Terms & Conditions

Payment & Fees.....	48
---------------------	----

OUR COMMITMENT TO QUALITY



STANDARDS

EPA TSCA TITLE VI COMPLIANT

TSG is constantly striving to meet and surpass all requirements for high quality cabinetry. As such, Forevermark Cabinetry products meet the United States Environmental Protection Agency (EPA)'s current standards for compliance with TSCA Title VI. Labeling indicating compliance is on each box and product. EPA's TSCA Title VI, the Formaldehyde Standards for Composite Wood Products Act, establishes the world's most stringent formaldehyde emissions standards for composite wood products. For more information, please feel free to email tsg@tsgcabinets.com or visit www.epa.gov.



DURABILITY



Our cabinets have been independently tested and meet or surpass standards set by the American National Standards Institute (ANSI). Our cabinets comply with ANSI/KCMA A161.1 standard for kitchen cabinets. Testing for these durability standards includes a battery of tests that simulate years of use, including structural, drawer, door operation, and finish tests. **These standards include:**

Shelves and Bottoms - After 7 days of loading at 15 pounds per square foot, cabinets and mounting systems must not deflect excessively or show any indication of a joint failing or separating.

Wall Mounted Cabinets - Base cabinets are wall hung and wall cabinets are mounted. They are loaded to 600 pounds and exhibit no signs of cabinet or mounting system breakdown.

Base Joints - To ensure front joints that won't open under stress during installation or in use, a load of 250 pounds or 200 pounds is placed to the interior of cabinet-front stiles for cabinets with drawer rails.

Drop Test - A three-pound steel ball is dropped from six inches above the surface to see if shelves, bottoms, and drawer bottoms can withstand the weight of cans and other objects being dropped on them. After the test, the drawer must not have any visible signs of joint failures or separation and must function normally.

Weight Test - Drawers are loaded at 15 pounds per square foot and operated through 25,000 cycles to test their ability to operate with loading during normal use. The drawers must then continue to function without any malfunctions in the operating system or drawer assembly, and drawer bottoms must not be deflected to obstruct drawer operation.

Structural Strength - A three-pound weight is dropped eight inches against the drawer assembly to see how well it can withstand the force of closing the drawer in typical use. After ten drops, the drawer-front assembly must not show signs of structural damage or looseness that would make it difficult to operate.

Stress Test - Doors are opened and closed 25,000 times in full 90-degree swings. The door must be operable, the door-holding device must keep the door closed at the end of the test, the hinges must not be visibly damaged, and the connections between the cabinet and the door and the hinge must not be loose.

Load Test - The door is under 65 pounds of pressure. The weighted door is moved through ten cycles of 90 degrees open, 20 degrees open, and 90 degrees open again. The door and hinges must not exhibit any obvious signs of damage or looseness after being weighted for ten minutes.

Heat Test - For 24 hours, a cabinet door is kept in a hotbox set at 120 degrees Fahrenheit and 70 percent relative humidity.

Cold Test - After spending an hour in a hotbox set at 120 degrees Fahrenheit and 70 percent relative humidity, a cabinet door is taken out and allowed to return to room temperature and humidity levels. Next, it is placed in a coldbox set at -5 degrees Fahrenheit for an additional hour.

Spill Test - The exterior exposed surfaces of doors, front frames, drawer fronts, and end panels are exposed to mustard for one hour and tomato ketchup, olive oil, orange, lemon, and grape juices, coffee, vinegar, and 100-proof alcohol for 24 hours.

Stain Test - Depending on the type of door, a cabinet door edge is exposed to a standard detergent formula for 4-24 hours.



SUSTAINABILITY

We are fully committed to ensuring that our products are environmentally friendly. All our products are independently tested to meet or surpass all California Air Resources Board standards for emissions. We also offer select products with additional environmental certifications.

GREENGUARD GOLD CERTIFIED

Forevermark Cabinetry is proud to further demonstrate our commitment to the well-being of our customers by offering select lines with UL Environment’s GREENGUARD GOLD certification.

The GREENGUARD Certification Program gives assurance that products designed for use in indoor spaces meet strict chemical emissions limits, which contribute to the creation of healthier interiors. GREENGUARD Gold Certification (formerly known as GREENGUARD Children & Schools Certification) offers stricter certification criteria, considers safety factors to account for sensitive individuals (such as children and the elderly), and ensures that a product is acceptable for use in environments such as schools and healthcare facilities. It is referenced by both The Collaborative for High Performance Schools (CHPS) and the Leadership in Energy and Environmental Design (LEED) Building Rating System.

What is UL Environment, and what is the GREENGUARD Certification Program?

UL is a global independent safety science company with more than a century of expertise innovating safety solutions from the public adoption of electricity to new breakthroughs in sustainability, renewable energy and nanotechnology. GREENGUARD Certification is part of UL Environment, a business unit of UL (Underwriters Laboratories). GREENGUARD Certification helps manufacturers create—and helps buyers identify—interior products and materials that have low chemical emissions, improving the quality of the air in which the products are used.

GREENGUARD Certification standards have established performance-based standards to define products and processes with low chemical and particle emissions for use indoors. The standards establish certification procedures including test methods, allowable emission levels, product sample collection and handling, testing type and frequency as well as program application processes, toxicity limits and acceptance.

GREENGUARD Certification strives to protect human health and quality of life by establishing standards and certification programs to reduce exposure to chemicals and to improve indoor air quality. The GREENGUARD standards are among the most stringent indoor air quality standards in the world, and they are based on available standards and guidelines from national and international public health agencies.

What does GREENGUARD certification do?

Volatile organic compounds (VOCs) are chemicals that are released into the air from everyday furnishings, building materials and products—items like office furniture, flooring, wall coverings and cleaners. Once airborne, VOCs can easily be inhaled by building occupants and trigger a number of health problems.

The GREENGUARD Certification mark communicates that representative samples of a product have undergone rigorous scientific testing to meet some of the world’s most stringent chemical emissions requirements. This certification helps reduce indoor air pollution and the potential for airborne chemical exposure.

The GREENGUARD Certification standard addresses the needs of the commercial building industry, focusing on products like building materials, seating, and systems furniture. This standard screens for more than 10,000 chemicals and places stringent limits on over 360 VOCs, including formaldehyde. All UL Environment’s GREENGUARD standards also include a maximum allowable TVOC level, or “cap” on the level of all VOCs combined, to account for a product’s total emissions.



How can GREENGUARD Certification help your business?

Demand for low-emitting products has increased significantly during the past decade. The GREENGUARD Certification program gives you the opportunity to appeal to this growing market by demonstrating that our products contribute to the health and well-being of building occupants.

What else can GREENGUARD Certification be used for?

GREENGUARD Certification is recognized and referenced in numerous building programs, standards and specifications around the world. Products with GREENGUARD Certification or GREENGUARD Gold Certification can contribute to the achievement of points in established green building rating systems, satisfy code or ordinance criteria and meet indoor air quality specific RFP requirements.

The scientific rigor of the GREENGUARD Certification program, combined with more than a decade of educational marketing and outreach initiatives, has made UL Environment's GREENGUARD mark the most recognized eco-label among architects and designers (second only to the Leadership in Energy and Environmental Design (LEED) Rating System). In fact, more than 460 sustainable codes, standards, specifications, and procurements guidelines documents—such as LEED®, Collaborative for High Performance Schools (CHPS), and the International Green Construction Code (IgCC)—recognize, recommend, or require the use of GREENGUARD Certified products.

This standard is designed to define low-emitting materials suitable for environments where people, particularly children and sensitive adults, spend extended periods of time, in particular schools and healthcare facilities.

The above information can be found on greenguard.org. For more consumer information, visit: <http://greenguard.org/en/consumers.aspx>.

Lines with GREENGUARD GOLD certification: AP, GW, SL, AN, TG, PW, PD, PR, PS, AR.





FOREST STEWARDSHIP COUNCIL® CERTIFIED

Forevermark Cabinetry is proud to offer select products with raw materials that are Forest Stewardship Council® (FSC) certified through its supplier. The FSC® is an independent, non-profit organization that protects forests for future generations, and is the only system supported by groups such as WWF, Sierra Club, Greenpeace, Natural Resources Defense Council, and National Wildlife Federation. The FSC® protects water quality, prohibits highly hazardous chemicals, restricts deforestation, protects customary rights of indigenous people and local communities, prevents loss of natural forest cover, protects high conservation value forests, and limits clearcuts to protect forest ecology.

By purchasing a FSC-certified product, customers can ensure that their product is coming from responsibly managed sources.

Eucalyptus Grandis is a consistent, premium hardwood material with the following benefits:

- Durability - used often in high-end applications
- Sustainable & Eco-friendly
- High level of dimensional stability
- Exceptionally versatile
- Superior grain consistency

Lines with FOREST Stewardship Council Certification:
AN, TG, AR, PS, PR (raw materials only)



WATERBORNE UV FINISHES

FROM SHERWIN-WILLIAMS®

Forevermark Cabinetry features the use of waterborne UV finishes furnished by Sherwin-Williams on certain door styles. The benefits of waterborne UV finishes include superior scratch resistance, low VOCs, finishes that are formaldehyde-hazard free, and reduction in environmental impact.

Forevermark Cabinetry is proud to offer products manufactured using Sherwin-Williams coatings as part of our goal to offer high performance products designed and manufactured taking steps to reduce environmental impact and meet or exceed the most stringent regulatory requirements.

You can be sure that the solutions you're choosing satisfy the highest standards for performance, while meeting or exceeding regulatory requirements. Which means you'll never have to choose between the best coatings for the environment and the best coatings for delivering a quality look that lasts.

Benefits Include:

- 2.3 lbs./gal VOC or less
- Water-reducible (liquid coatings)
- Formaldehyde hazard free
- Lead and chromate hazard free
- HAPS free
- Superior scratch resistance
- Reduction of environmental impact

Lines with Waterborne UV finishes: AP, GW, SL, AN, TG, PW, PD, PR, PS, AR



CABINET LINES - DOOR STYLES

SHAKER COLLECTION



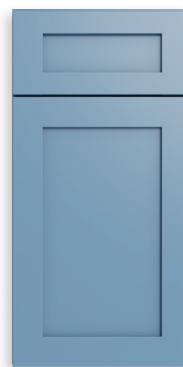
Vista White Shaker
(VW)



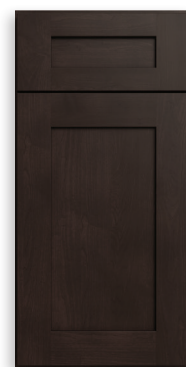
Ice White Shaker
(AW)



Lait Grey Shaker
(AB)



XTerra Blue Shaker
(AX)



Pepper Shaker
(AP)



Nova Light Grey Shaker
(AN)



Greystone Shaker
(AG)

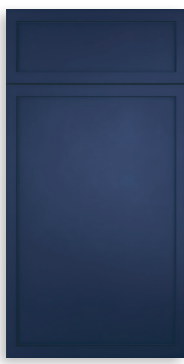


Woodland Brown Shaker
(AR)

PETIT COLLECTION



Petit White
(PW)



Petit Blue
(PD)



Petit Sand
(PS)



Petit Brown
(PR)

TOWN COLLECTION



Uptown White
(TW)



Townsquare Grey
(TS)



Midtown Grey
(TG)



Townplace Crema
(TQ)

GRAMERCY



Gramercy White
(GW)

SIGNATURE



Signature Pearl
(SL)



CABINET DETAILS

	GOLD						
	VW	AP	AW	PW	PD	PS	PR
MATERIAL	Solid Wood		MDF			Solid Eucalyptus Grandis	
WALL & BASE	Recessed Square						
FRONT FRAME	3/4" Solid Wood					3/4" Solid Eucalyptus Grandis	
DOOR FRAME	3/4" Solid Wood		MDF			3/4" Solid Eucalyptus Grandis	
DOOR CENTER	HDF (Reversed raised door panel)	MDF with wood veneer	MDF			MDF with both side Eucalyptus Grandis Veneer	
BOTTOM (BASE)	1/2" A-Grade plywood with wood veneer	3/8" A-Grade plywood with wood veneer					
CABINET INTERIOR	Natural interior finish	Matching Interior (matches door color)					
BACK PANEL	Wall & Base: 1/2" Full back	1/2" Picture Frame recess style		Wall & BASE: 1/2" Full back			
CONNECTORS	Color coated L-shape (1pc) metal clip, won't tarnish	Pre-installed, color coated metal clip, won't tarnish					
SHELVES	3/4" A-Grade plywood with wood veneer					***3/4" A-Grade plywood with wood veneer	
DRAWER BOX	Solid Wood 5/8" sides	Solid Wood 17mm (close to 3/4" T)					
	Drawer bottom 3/8" plywood						
BASE CORNER SUPPORTS	Color coated metal triangle cornerbracket	Wood corner brackets, with wood I-beam construction					

STANDARD FEATURES ON ALL STYLES

- Style: Full overlay, butt door
- Sides, Top, and Bottom: 1/2" A-Grade plywood with wood veneer
- Hinges: **Concealed 6-way adjustable soft close door hinges
- Drawer Box: Drawer length 21", Dovetail Construction, Natural finish
- Drawer Glides: Undermount, Full extension with soft closing feature
- Metal shelf clips standard
- No center stile on cabinetry 24"W to 36"W
- Doors come hinged right standard or may come loose depending on incoming inventory. Replacements will not be honored for preference.

	PLATINUM							TITANIUM			
	AX	GW	SL	TW	AB	TS	AG	AR	TQ	AN	TG
MATERIAL	HDF	Solid Wood			HDF	Solid Wood		Solid Eucalyptus Grandis	Solid Wood	Solid Eucalyptus Grandis	
WALL & BASE	Recessed Square	Raised Square		Recessed Square							
FRONT FRAME	3/4" Solid Wood							3/4" Solid Eucalyptus Grandis	3/4" Solid Wood	3/4" Solid Eucalyptus Grandis	
DOOR FRAME	HDF	3/4" Solid Wood			HDF	3/4" Solid Wood		3/4" Solid Eucalyptus Grandis	3/4" Solid Wood	3/4" Solid Eucalyptus Grandis	
DOOR CENTER	MDF	MDF			MDF with wood veneer		MDF with both side Eucalyptus Grandis Veneer	MDF (Reversed raised door panel)	Solid Eucalyptus Grandis (Reversed raised door panel)		
BOTTOM (BASE)	3/8" A-Grade plywood with wood veneer										
CABINET INTERIOR	Matching Interior (matches door color)										
BACK PANEL	Wall & BASE: 1/2" Full back	1/2" Picture Frame recess style				WALL: 1/2" Picture Frame recess style BASE*: 1/2" Full back***		Wall & Base: 1/2" full back	WALL: 1/2" Picture Frame recess style BASE*: 1/2" Full back***		
CONNECTORS	Pre-installed, color coated metal clip, won't tarnish										
SHELVES	3/4" A-Grade plywood with wood veneer										
DRAWER BOX	Solid Wood 17mm (close to 3/4" T) Drawer bottom 1/2" plywood										
BASE CORNER SUPPORTS	Wood Corner brackets, with wood I-beam										

*Applicable to most Base sizes. Certain Bases may have picture frame recess style. For an indeterminate transitional period, orders may include inventory with mixed specifications.
 **No center stile on cabinetry 24"W to 36"W
 ***New incoming stock includes bases with 1/2" full back panels (TW). For an indeterminate transitional period, orders may include inventory with mixed specifications.

CABINET PRICING



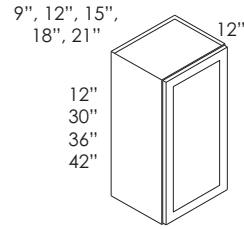


Images are shown for illustration purposes only. Digital representation of color, specifications, and/or wood grain may vary from the actual product. Please view the actual product prior to purchase.

WALL CABINETS

SINGLE DOOR

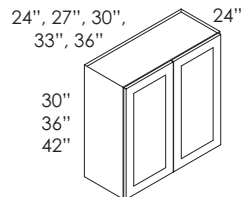
- 1-door cabinet design
- Includes 1-3 shelves



Item #	SPECS			PRICING																	
	Width	Height	Shelf	VW	PW	PD	PS	PR	AP	AW	AX	AB	AG	AR	SL	GW	TW	TS	AN	TG	TQ
W0930	9"	30"	2	324	360	360	360	360	360	360	372	372	372	372	372	372	372	372	417	417	417
W1230	12"	30"	2	360	399	399	399	399	399	399	411	411	411	411	411	411	411	411	462	462	462
W1530*	15"	30"	2	393	435	435	435	435	435	435	450	450	450	450	450	450	450	450	504	504	504
W1830	18"	30"	2	435	483	483	483	483	483	483	498	498	498	498	498	498	498	498	558	558	558
W2130	21"	30"	2	528	585	585	585	585	585	585	600	600	600	600	600	600	600	600	672	672	672
W0936	9"	36"	2	411	456	456	456	456	456	456	471	471	471	471	471	471	471	471	528	528	528
W1236	12"	36"	2	435	483	483	483	483	483	483	498	498	498	498	498	498	498	498	558	558	558
W1536	15"	36"	2	474	525	525	525	525	525	525	540	540	540	540	540	540	540	540	606	606	606
W1836	18"	36"	2	528	585	585	585	585	585	585	600	600	600	600	600	600	600	600	672	672	672
W2136	21"	36"	2	630	699	699	699	699	699	699	717	717	717	717	717	717	717	717	804	804	804
W0942	9"	42"	3	459	507	507	507	507	507	507	519	519	519	519	519	519	519	519	582	582	582
W1242	12"	42"	3	483	534	534	534	534	534	534	549	549	549	549	549	549	549	549	615	615	615
W1542	15"	42"	3	525	582	582	582	582	582	582	597	597	597	597	597	597	597	597	669	669	669
W1842	18"	42"	3	579	642	642	642	642	642	642	663	663	663	663	663	663	663	663	744	744	744
W2142	21"	42"	3	699	774	774	774	774	774	774	798	798	798	798	798	798	798	798	894	894	894

DOUBLE (BUTT) DOOR

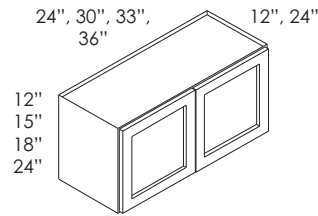
- 2-door cabinet design



Item #	SPECS			PRICING																	
	Width	Height	Shelf	VW	PW	PD	PS	PR	AP	AW	AX	AB	AG	AR	SL	GW	TW	TS	AN	TG	TQ
W2430B	24"	30"	2	564	624	624	624	624	624	624	645	645	645	645	645	645	645	645	723	723	723
W2730B	27"	30"	2	615	681	681	681	681	681	681	702	702	702	702	702	702	702	702	789	789	789
W3030B	30"	30"	2	636	705	705	705	705	705	705	726	726	726	726	726	726	726	726	816	816	816
W3330B	33"	30"	2	684	759	759	759	759	759	759	780	780	780	780	780	780	780	780	876	876	876
W3630B	36"	30"	2	729	807	807	807	807	807	807	834	834	834	834	834	834	834	834	936	936	936
W2436B	24"	36"	2	672	744	744	744	744	744	744	768	768	768	768	768	768	768	768	861	861	861
W2736B	27"	36"	2	759	843	843	843	843	843	843	870	870	870	870	870	870	870	870	975	975	975
W3036B	30"	36"	2	822	912	912	912	912	912	912	939	939	939	939	939	939	939	939	1053	1053	1053
W3336B	33"	36"	2	873	969	969	969	969	969	969	999	999	999	999	999	999	999	999	1119	1119	1119
W3636B	36"	36"	2	915	1014	1014	1014	1014	1014	1014	1044	1044	1044	1044	1044	1044	1044	1044	1170	1170	1170
W2442B	24"	42"	3	753	834	834	834	834	834	834	858	858	858	858	858	858	858	858	963	963	963
W2742B	27"	42"	3	876	972	972	972	972	972	972	1002	1002	1002	1002	1002	1002	1002	1002	1125	1125	1125
W3042B	30"	42"	3	972	1077	1077	1077	1077	1077	1077	1110	1110	1110	1110	1110	1110	1110	1110	1245	1245	1245
W3342B	33"	42"	3	1026	1137	1137	1137	1137	1137	1137	1170	1170	1170	1170	1170	1170	1170	1170	1311	1311	1311
W3642B	36"	42"	3	1089	1209	1209	1209	1209	1209	1209	1248	1248	1248	1248	1248	1248	1248	1248	1398	1398	1398

STACKABLE CABINETS

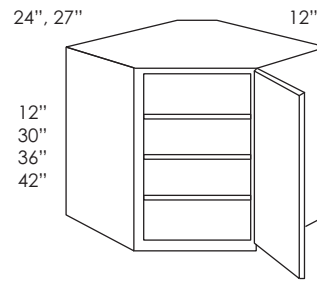
• 2-door cabinet design



SPECS					PRICING																		
Item #	Width	Height	Depth	Shelf	VW	PW	PD	PS	PR	AP	AW	AX	AB	AC	AR	SL	GW	TW	TS	AN	TG	TQ	
W1212	12"	12"	12"	0	161	175	175	175	175	-	175	-	180	180	180	-	-	180	-	-	-	-	
W1512	15"	12"	12"	1	203	225	225	225	225	-	225	-	231	231	231	-	-	231	-	-	-	-	
W1812	18"	12"	12"	1	252	279	279	279	279	-	279	-	288	288	288	-	-	288	-	-	-	-	
W2112	21"	12"	12"	1	299	333	333	333	333	-	333	-	347	347	347	-	-	347	-	-	-	-	
W2412B	24"	12"	12"	1	346	384	384	384	384	-	384	-	399	399	399	-	-	399	-	-	-	-	
W2712B	27"	12"	12"	0	409	455	455	455	455	-	455	-	471	471	471	-	-	471	-	-	-	-	
W3012B	30"	12"	12"	0	366	405	405	405	405	405	405	417	417	417	417	417	417	417	417	468	468	468	
W301224B	30"	12"	24"	0	458	508	508	508	508	-	508	-	524	524	524	-	-	524	-	-	-	-	
W3312B	33"	12"	12"	0	390	432	432	432	432	-	432	447	447	447	447	447	447	447	447	498	498	498	
W3612B	36"	12"	12"	0	411	456	456	456	456	456	456	468	468	468	468	468	468	468	468	525	525	525	
W361224B	36"	12"	24"	0	555	615	615	615	615	615	615	633	633	633	633	633	633	633	633	711	711	711	
W2415B	24"	15"	12"	0	369	408	408	408	408	408	408	417	417	417	417	417	417	417	417	468	468	468	
W3015B	30"	15"	12"	0	411	456	456	456	456	456	456	468	468	468	468	468	468	468	468	525	525	525	
W301524B	30"	15"	24"	0	-	615	615	615	615	615	615	636	636	636	636	636	636	636	636	714	714	714	
W3315B	33"	15"	12"	0	444	492	492	492	492	492	492	507	507	507	507	507	507	507	507	570	570	570	
W331524B	33"	15"	24"	0	-	648	648	648	648	648	648	669	669	669	669	669	669	669	669	750	750	750	
W3615B	36"	15"	12"	0	453	501	501	501	501	501	501	516	516	516	516	516	516	516	516	579	579	579	
W361524B	36"	15"	24"	0	615	681	681	681	681	681	681	702	702	702	702	702	702	702	702	789	789	789	
W2418B	24"	18"	12"	0	393	435	435	435	435	435	435	450	450	450	450	450	450	450	450	504	504	504	
W3018B	30"	18"	12"	0	453	501	501	501	501	501	501	516	516	516	516	516	516	516	516	579	579	579	
W301824B	30"	18"	24"	0	681	756	756	756	756	756	756	780	780	780	780	780	780	780	780	876	876	876	
W3318B	33"	18"	12"	0	483	534	534	534	534	534	534	549	549	549	549	549	549	549	549	615	615	615	
W331824B	33"	18"	24"	0	690	765	765	765	765	765	765	789	789	789	789	789	789	789	789	885	885	885	
W3618B	36"	18"	12"	1	513	570	570	570	570	570	570	585	585	585	585	585	585	585	585	657	657	657	
W361824B	36"	18"	24"	1	699	774	774	774	774	774	774	798	798	798	798	798	798	798	798	894	894	894	
W2424B	24"	24"	12"	1	504	558	558	558	558	558	558	576	576	576	576	576	576	576	576	648	648	648	
W3024B	30"	24"	12"	1	567	627	627	627	627	627	627	648	648	648	648	648	648	648	648	726	726	726	
W302424B	30"	24"	24"	1	669	741	741	741	741	741	741	765	765	765	765	765	765	765	765	858	858	858	
W3324B	33"	24"	12"	1	606	672	672	672	672	672	672	693	693	693	693	693	693	693	693	777	777	777	
W332424B	33"	24"	24"	1	711	789	789	789	789	789	789	816	816	816	816	816	816	816	816	915	915	915	
W3624B	36"	24"	12"	1	648	720	720	720	720	720	720	741	741	741	741	741	741	741	741	831	831	831	
W362424B	36"	24"	24"	1	756	837	837	837	837	837	837	864	864	864	864	864	864	864	864	969	969	969	

WALL DIAGONAL CORNER

- 1-door corner cabinet design



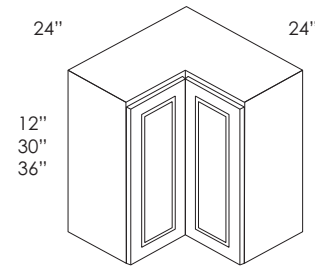
SPECS

Item #	Width	Height	Depth	Shelf	VW	PW	PD	PS	PR	AP	AW	AX	AB	AG	AR	SL	GW	TW	TS	AN	TG	TQ
WDC2412	24"	12"	12"	1	375	414	414	414	414	-	414	-	-	426	426	-	-	426	-	-	-	-
WDC2430	24"	30"	12"	2	810	900	900	900	900	900	900	927	927	927	927	927	927	927	927	1041	1041	1041
WDC2436	24"	36"	12"	2	1014	1125	1125	1125	1125	1125	1125	1161	1161	1161	1161	1161	1161	1161	1161	1302	1302	1302
WDC2442	24"	42"	12"	3	1077	1194	1194	1194	1194	1194	1194	1233	1233	1233	1233	1233	1233	1233	1233	1383	1383	1383
WDC273615	27"	36"	15"	2	-	1740	1740	1740	1740	1740	1740	1755	1755	1755	1755	1755	1755	1755	1755	1968	1968	1968
WDC274215	27"	42"	15"	3	-	2085	2085	2085	2085	2085	2085	2100	2100	2100	2100	2100	2100	2100	2100	2352	2352	2352

PRICING

WALL CORNER CABINET

- 24" Width x 24" Depth
- Bi-fold door corner cabinet design
- Door is not soft closing



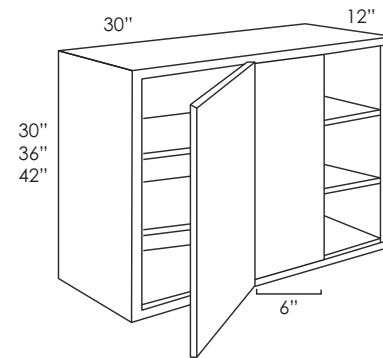
SPECS

Item #	Height	Shelf	VW	PW	PD	PS	PR	AP	AW	AX	AB	AG	AR	SL	GW	TW	TS	AN	TG	TQ
WSQ2430	30"	1	1284	1383	1383	1383	1383	1383	1383	1425	1425	1425	1425	1425	1425	1425	1425	1596	1596	1596
WSQ2436	36"	2	1539	1660	1660	1660	1660	1660	1660	1710	1710	1710	1710	1710	1710	1710	1710	1917	1917	1917
WSQ2442	42"	2	1848	1992	1992	1992	1992	1992	1992	2052	2052	2052	2052	2052	2052	2052	2052	2301	2301	2301

PRICING

WALL BLIND CORNER

- 30" Width x 12" Depth
- Specify door right or left when ordering (not blind)
- WBLC30/33-30XX light modification is required (remove 1 door and install WF6)
- WBLC30/33-30XX will ship with W30XX and WF6XX (KD)
- Minimum pull 30" / Maximum pull 33"



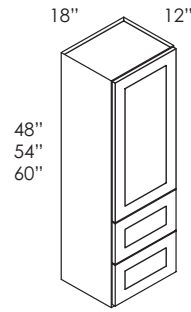
SPECS

Item #	Height	Shelf	VW	PW	PD	PS	PR	AP	AW	AX	AB	AG	AR	SL	GW	TW	TS	AN	TG	TQ
WBLC30/33-3030	30"	2	834	924	924	924	924	924	924	948	948	948	948	948	948	948	948	1062	1062	1062
WBLC30/33-3036	36"	2	1101	1221	1221	1221	1221	1221	1221	1251	1251	1251	1251	1251	1251	1251	1251	1404	1404	1404
WBLC30/33-3042	42"	3	1266	1404	1404	1404	1404	1404	1404	1440	1440	1440	1440	1440	1440	1440	1440	1614	1614	1614

PRICING

WALL CABINET - 2 BUILT-IN DRAWERS

- 18" Width x 12" Depth
- Drawers are not soft-closing
- Glass doors are available for this unit W18XXGD (Please see pg. 26)

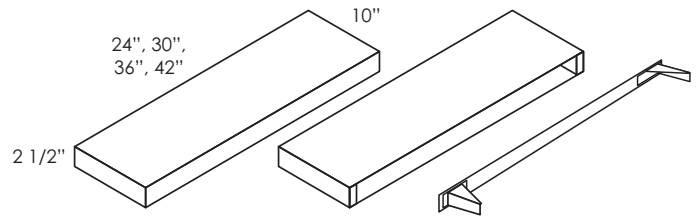


SPECS

Item #	Height	PRICING																	
		VW	PW	PD	PS	PR	AP	AW	AX	AB	AG	AR	SL	GW	TW	TS	AN	TG	TQ
W2D1848	48"	-	1095	1095	1095	1095	-	1095	1128	1128	1128	1128	1128	1128	1128	1128	1266	1266	1266
W2D1854	54"	-	1279	1279	1279	1279	-	1279	1317	1317	1317	1317	1317	1317	1317	1317	1476	1476	1476
W2D1860	60"	-	1459	1459	1459	1459	-	1459	1503	1503	1503	1503	1503	1503	1503	1503	1686	1686	1686

FLOATING SHELVES

- 2 1/2" Height x 10" Depth
- Includes (1) shelf and mounting bracket
- Shelves are available in WHITE and BROWN (AR/PR color) only
- Apply general multiplier only, additional discounts do not apply, net items



SPECS

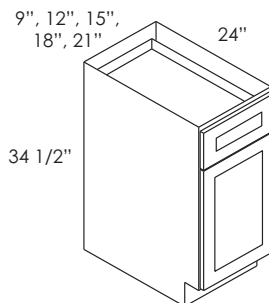
Item #	Width	PRICING																	
		VW	PW	PD	PS	PR	AP	AW	AX	AB	AG	AR	SL	GW	TW	TS	AN	TG	TQ
FLS24-Brown (AR/PR)	24"	338	338	338	338	338	338	338	338	338	338	338	338	338	338	338	338	338	338
FLS30-Brown (AR/PR)	30"	398	398	398	398	398	398	398	398	398	398	398	398	398	398	398	398	398	398
FLS36-Brown (AR/PR)	36"	487	487	487	487	487	487	487	487	487	487	487	487	487	487	487	487	487	487
FLS42-Brown (AR/PR)	42"	547	547	547	547	547	547	547	547	547	547	547	547	547	547	547	547	547	547
FLS24-White	24"	263	263	263	263	263	263	263	263	263	263	263	263	263	263	263	263	263	263
FLS30-White	30"	305	305	305	305	305	305	305	305	305	305	305	305	305	305	305	305	305	305
FLS36-White	36"	376	376	376	376	376	376	376	376	376	376	376	376	376	376	376	376	376	376
FLS42-White	42"	417	417	417	417	417	417	417	417	417	417	417	417	417	417	417	417	417	417

BASE CABINETS



SINGLE DOOR

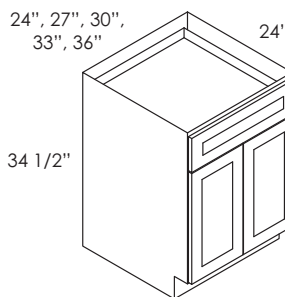
- Roll out trays for most base sizes available for purchase and/or installation (see pg 23)
- Includes 1 shelf



SPECS			PRICING																	
Item #	Width	Drawer	VW	PW	PD	PS	PR	AP	AW	AX	AB	AG	AR	SL	GW	TW	TS	AN	TG	TQ
B09	9"	1	537	594	594	594	594	594	594	627	627	627	627	627	627	627	627	705	705	705
B12	12"	1	606	672	672	672	672	672	672	708	708	708	708	708	708	708	708	795	795	795
B15	15"	1	633	702	702	702	702	702	702	738	738	738	738	738	738	738	738	828	828	828
B18	18"	1	663	735	735	735	735	735	735	774	774	774	774	774	774	774	774	867	867	867
B21	21"	1	750	831	831	831	831	831	831	873	873	873	873	873	873	873	873	978	978	978

DOUBLE (BUTT) DOOR

- 2-door cabinet design
- Includes 1 shelf
- Roll out trays for most base sizes available for purchase and/or installation (see pg 23)

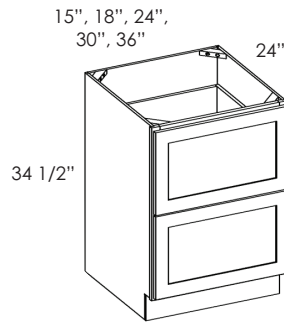


SPECS			PRICING																	
Item #	Width	Drawer	VW	PW	PD	PS	PR	AP	AW	AX	AB	AG	AR	SL	GW	TW	TS	AN	TG	TQ
B24B	24"	1	807	894	894	894	894	894	894	936	936	936	936	936	936	936	936	1050	1050	1050
B27B	27"	1	867	963	963	963	963	963	963	1008	1008	1008	1008	1008	1008	1008	1008	1131	1131	1131
B30B*	30"	1	1011	1122	1122	1122	1122	1122	1122	1188	1188	1188	1188	1188	1188	1188	1188	1332	1332	1332
B33B	33"	2	1056	1173	1173	1173	1173	1173	1173	1242	1242	1242	1242	1242	1242	1242	1242	1392	1392	1392
B36B	36"	2	1104	1224	1224	1224	1224	1224	1224	1293	1293	1293	1293	1293	1293	1293	1293	1449	1449	1449

*30"W base with single drawer is new specification, bases may ship with 2 drawers until old inventory is phased out. Replacement and special requests will not be honored regarding drawer selection.

2-DRAWER PACK

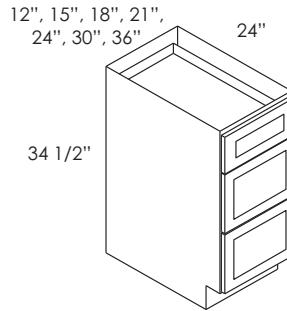
- 2-drawer design
- Top and bottom drawer are the same size
- 34 1/2" Height x 24" Depth



SPECS		PRICING																		
Item #	Width	VW	PW	PD	PS	PR	AP	AW	AX	AB	AG	AR	SL	GW	TW	TS	AN	TG	TQ	
2DB15	15"	-	1166	1166	1166	1166	-	-	-	-	-	-	1245	-	-	-	-	-	-	-
2DB18	18"	-	1194	1194	1194	1194	-	-	-	-	-	-	1277	-	-	-	-	-	-	-
2DB24	24"	-	1291	1291	1291	1291	-	-	-	-	-	-	1377	-	-	-	-	-	-	-
2DB30	30"	-	2140	2140	2140	2140	-	2140	-	2172	2172	2172	-	-	2172	-	-	-	-	2434
2DB36	36"	-	2192	2192	2192	2192	-	2192	-	2243	2243	2243	-	-	2243	-	-	-	-	2514

3-DRAWER PACK

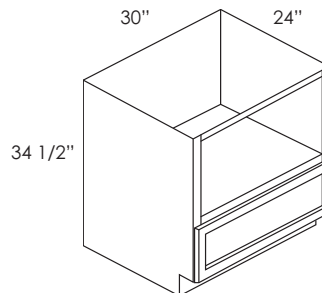
- 3-drawer design
- Middle and bottom drawer are the same size
- 34 1/2" Height x 24" Depth



SPECS		PRICING																	
Item #	Width	VW	PW	PD	PS	PR	AP	AW	AX	AB	AG	AR	SL	GW	TW	TS	AN	TG	TQ
DB12(3)	12"	1059	1176	1176	1176	1176	1176	1176	1257	1257	1257	1257	1257	1257	1257	1257	1410	1410	1410
DB15(3)	15"	1107	1227	1227	1227	1227	1227	1227	1311	1311	1311	1311	1311	1311	1311	1311	1470	1470	1470
DB18(3)	18"	1134	1257	1257	1257	1257	1257	1257	1344	1344	1344	1344	1344	1344	1344	1344	1506	1506	1506
DB21(3)	21"	1164	1293	1293	1293	1293	1293	1293	1380	1380	1380	1380	1380	1380	1380	1380	1548	1548	1548
DB24(3)	24"	1224	1359	1359	1359	1359	1359	1359	1449	1449	1449	1449	1449	1449	1449	1449	1623	1623	1623
DB30(3)	30"	2028	2253	2253	2253	2253	2253	2253	2286	2286	2286	2286	2286	2286	2286	2286	2562	2562	2562
DB36(3)	36"	2079	2307	2307	2307	2307	2307	2307	2361	2361	2361	2361	2361	2361	2361	2361	2646	2646	2646

MICROWAVE BASE CABINET

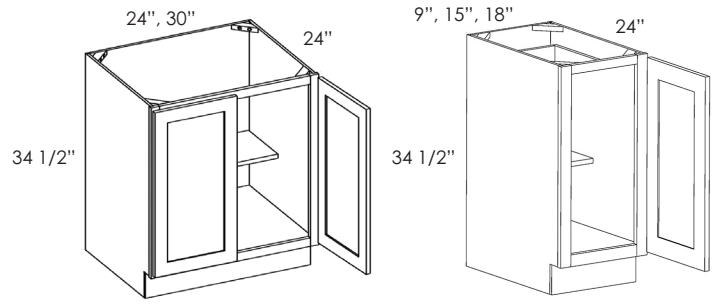
- Opening: 26-7/8"Wx18"H (with 1 drawer)
- Drawer front size is 29-1/2"W x 8-13/16"H
- Different size widths are available for modification only



SPECS		PRICING																	
Item #	VW	PW	PD	PS	PR	AP	AW	AX	AB	AG	AR	SL	GW	TW	TS	AN	TG	TQ	
B30MW	1041	1155	1155	1155	1155	1155	1155	1188	1188	1188	1188	1188	1188	1188	1188	1332	1332	1332	

FULL HEIGHT BASE CABINETS

- 24" Depth x 34 1/2" Height
- Includes 1 shelf

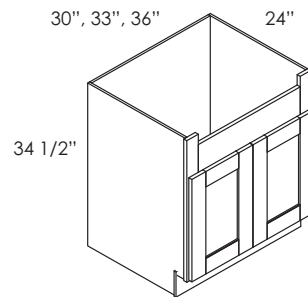


SPECS

Item #	Width	Doors	PRICING																		
			VW	PW	PD	PS	PR	AP	AW	AX	AB	AG	AR	SL	GW	TW	TS	AN	TG	TQ	
FB09	9"	1	513	567	567	567	567	-	567	597	597	597	597	597	-	597	597	597	672	672	672
FB12	12"	1	578	640	640	640	640	-	640	-	640	-	675	-	-	-	-	-	-	-	-
FB15	15"	1	603	669	669	669	669	-	669	-	669	-	703	-	-	-	-	-	-	-	-
FB18	18"	1	632	701	701	701	701	-	701	-	701	-	738	-	-	-	-	-	-	-	-
FB24B	24"	2	769	843	843	843	843	-	843	-	843	-	867	-	-	-	-	-	-	-	-
FB30B	30"	2	825	915	915	915	915	-	915	-	915	-	942	-	-	-	-	-	-	-	-

FARM SINK BASE CABINET

- 2-door cabinet design
- Fits most farm sinks
- Board height 8-3/8
- Cut-out height 2-7/8

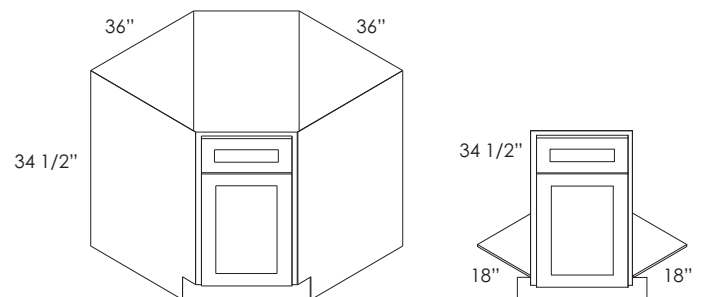


SPECS

Item #	Width	PRICING																	
		VW	PW	PD	PS	PR	AP	AW	AX	AB	AG	AR	SL	GW	TW	TS	AN	TG	TQ
FSB30B	30"	-	1302	1302	1302	1302	-	1302	1341	1341	1341	1341	1341	1341	1341	1341	1503	1503	1503
FSB33B	33"	-	1362	1362	1362	1362	-	1362	1404	1404	1404	1404	1404	1404	1404	1404	1575	1575	1575
FSB36B	36"	1278	1419	1419	1419	1419	1419	1419	1464	1464	1464	1464	1464	1464	1464	1464	1641	1641	1641

DIAGONAL CORNER SINK

- 36" Width x 34 1/2" Height x 36" Depth
- BDCF36: corner sink cabinet
- BDCF36K-FL: front frame, door & drawer front, floor and toe kick only (NOT FULL CABINET)

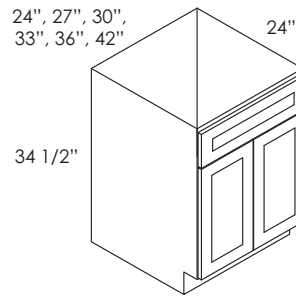


SPECS

Item #	PRICING																	
	VW	PW	PD	PS	PR	AP	AW	AX	AB	AG	AR	SL	GW	TW	TS	AN	TG	TQ
BDCF36	1473	1635	1635	1635	1635	1635	1635	1689	1689	1689	1689	1689	1689	1689	1689	1893	1893	1893
BDCF36K-FL	444	492	492	492	492	492	492	507	507	507	507	507	507	507	507	570	570	570

SINK BASE & STARTER SETS

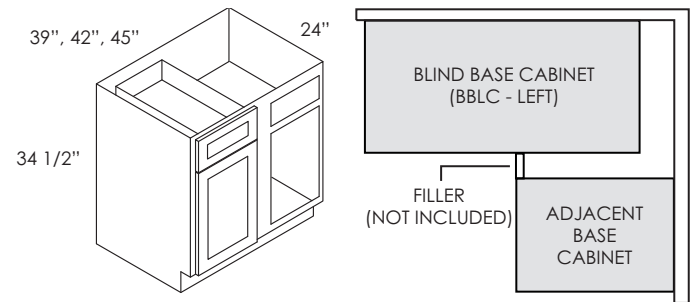
- 34 1/2" Height x 24" Depth
- 2-door cabinet design
- Includes 1 shelf
- Roll out trays for most base sizes available for purchase and installation (see pg. 23)



SPECS		PRICING																	
Item #	Width	VW	PW	PD	PS	PR	AP	AW	AX	AB	AG	AR	SL	GW	TW	TS	AN	TG	TQ
SB24	24"	759	843	843	843	843	843	843	867	867	867	867	867	867	867	867	972	972	972
SB27B	27"	798	885	885	885	885	885	885	909	909	909	909	909	909	909	909	1020	1020	1020
SB30B	30"	825	915	915	915	915	915	915	942	942	942	942	942	942	942	942	1056	1056	1056
SB33B	33"	855	948	948	948	948	948	948	978	978	978	978	978	978	978	978	1098	1098	1098
SB36B	36"	891	987	987	987	987	987	987	1011	1011	1011	1011	1011	1011	1011	1011	1134	1134	1134
SB42	42"	-	-	-	-	-	-	-	1275	1305	1305	1305	-	1305	1305	1305	1464	1464	1464

BASE BLIND CORNER

- 34 1/2" Height x 24" Depth
- Specify door right or door left when ordering (NOT BLIND)
- See below for dimensions
- Includes 1 door, 1 drawer, 1 shelf



SPECS		PRICING																	
Item #	Width	VW	PW	PD	PS	PR	AP	AW	AX	AB	AG	AR	SL	GW	TW	TS	AN	TG	TQ
BBLC39/ 42-36"W	36"	1134	1257	1257	1257	1257	1257	1257	1311	1311	1311	1311	1311	1311	1311	1311	1470	1470	1470
BBLC42/ 45-39"W	39"	1146	1272	1272	1272	1272	1272	1272	1326	1326	1326	1326	1326	1326	1326	1326	1488	1488	1488
BBLC45/ 48-42"W	42"	1158	1284	1284	1284	1284	1284	1284	1341	1341	1341	1341	1341	1341	1341	1341	1503	1503	1503

BASE BLIND CORNER DIMENSIONS

BBLC39/42-36"W

(Min. Pull from: 39"W to 42"W)

Dimension	All Styles
Width	36"
B	11-3/4"
C	11-9/16"
D	8-7/8"
E	24-1/4"
F	13-3/4"

BBLC42/45-39"W

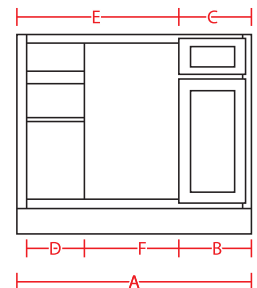
(Min. Pull from: 42"W to 45"W)

Dimension	All Styles
Width	39"
B	14-3/4"
C	14-9/16"
D	11-7/8"
E	24-1/4"
F	10-3/4"

BBLC45/48-42"W

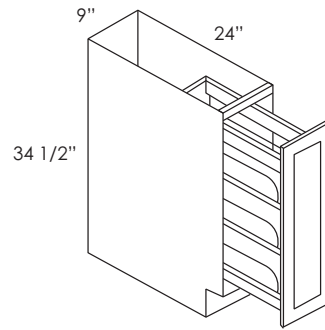
(Min. Pull from: 45"W to 48"W)

Dimension	All Styles
Width	42"
B	17-3/4"
C	17-1/2"
D	14-7/8"
E	24-1/4"
F	7-3/4"



BASE PULL OUT - SPICE RACK

- 9" Width x 34 1/2" Height x 24" Depth
- Pull out door panel will match door style
- Side Mount Full Extension Drawer Track (not soft closing)
- Unit is pre-assembled
- Includes cabinet and spice rack insert (2 middle racks are adjustable)



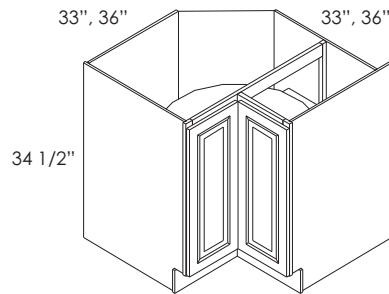
SPECS

Item #	VW	PW	PD	PS	PR	AP	AW	AX	AB	AG	AR	SL	GW	TW	TS	AN	TG	TQ
BFP09	-	1467	1467	1467	1467	1467	1467	1488	1488	1488	1488	1488	1488	1488	1488	1668	1668	1668

PRICING

LAZY SUSAN

- 33"-36" Width x 34 1/2" Height x 33"-36" Depth
- LS3612: Bi-Fold door, 2 independently spinning trays
- Not soft closing doors



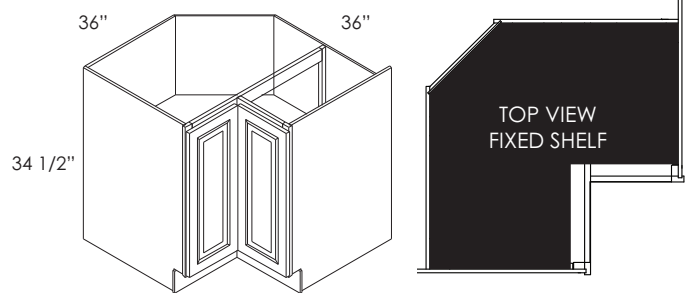
SPECS

Item #	Width	VW	PW	PD	PS	PR	AP	AW	AX	AB	AG	AR	SL	GW	TW	TS	AN	TG	TQ
LS3309	33"x33"	1461	1623	1623	1623	1623	1623	1623	1677	1677	1677	1677	1677	1677	1677	1677	1881	1881	1881
LS3612	36"x36"	1578	1752	1752	1752	1752	1752	1752	1812	1812	1812	1812	1812	1812	1812	1812	2031	2031	2031

PRICING

EZ REACH CABINET

- 36" Width x 34 1/2" Height x 36" Depth
- LS3612S: Bi-Fold Door, Includes fixed shelf only (EZ reach)
- Not soft closing doors



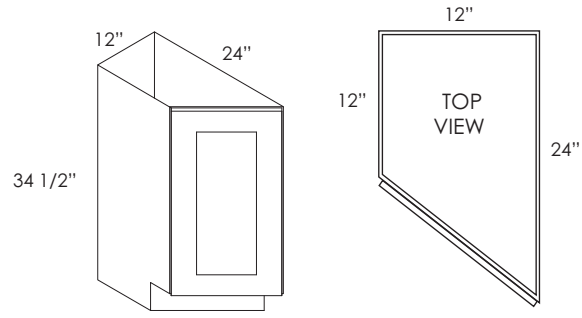
SPECS

Item #	VW	PW	PD	PS	PR	AP	AW	AX	AB	AG	AR	SL	GW	TW	TS	AN	TG	TQ
LS3612S (EZR3612)	1398	1551	1551	1551	1551	1551	1551	1635	1635	1635	1635	1635	1635	1635	1635	1833	1833	1833

PRICING

TRANSITIONAL CABINET

- 12" Width x 34 1/2" Height x 24" Depth (longest side)
- 1 door and 1 shelf
- Specify left or right when placing order



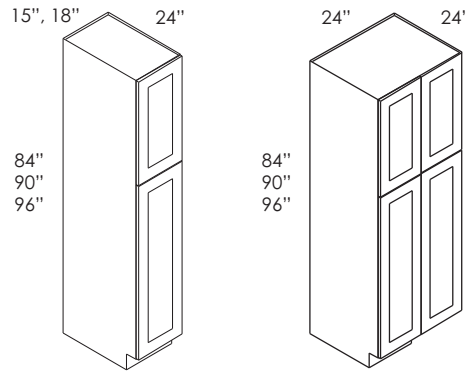
SPECS

PRICING

Item #	VW	PW	PD	PS	PR	AP	AW	AX	AB	AG	AR	SL	GW	TW	TS	AN	TG	TQ
BTC12L	636	705	705	705	705	705	705	726	726	726	726	726	726	726	726	816	816	816
BTC12R	636	705	705	705	705	705	705	726	726	726	726	726	726	726	726	816	816	816

WALL PANTRY

- 24" Depth
- Roll out trays available for purchase and installation (see pg. 23)
- 1+X=One fixed shelf + X adjustable shelves



SPECS

PRICING

Item #	Width	Height	Doors	Shelf	VW	PW	PD	PS	PR	AP	AW	AX	AB	AG	AR	SL	GW	TW	TS	AN	TG	TQ	
WP1584	15"	84"	2	1+3	1629	1809	1809	1809	1809	1809	1809	1863	1863	1863	1863	1863	1863	1863	1863	2088	2088	2088	
WP1590	15"	90"	2	1+5	1749	1941	1941	1941	1941	1941	1941	2004	2004	2004	2004	2004	2004	2004	2004	2247	2247	2247	
WP1596	15"	96"	2	1+6	1866	2073	2073	2073	2073	2073	2073	2142	2142	2142	2142	2142	2142	2142	2142	2400	2400	2400	
WP1884	18"	84"	2	1+3	1824	2025	2025	2025	2025	2025	2025	2088	2088	2088	2088	2088	2088	2088	2088	2340	2340	2340	
WP1890	18"	90"	2	1+5	1959	2175	2175	2175	2175	2175	2175	2244	2244	2244	2244	2244	2244	2244	2244	2514	2514	2514	
WP1896	18"	96"	2	1+6	2091	2322	2322	2322	2322	2322	2322	2400	2400	2400	2400	2400	2400	2400	2400	2400	2688	2688	2688
WP2484B	24"	84"	4	1+3	2283	2535	2535	2535	2535	2535	2535	2616	2616	2616	2616	2616	2616	2616	2616	2616	2931	2931	2931
WP2490B	24"	90"	4	1+5	2454	2724	2724	2724	2724	2724	2724	2814	2814	2814	2814	2814	2814	2814	2814	2814	3153	3153	3153
WP2496B	24"	96"	4	1+6	2625	2916	2916	2916	2916	2916	2916	3012	3012	3012	3012	3012	3012	3012	3012	3012	3375	3375	3375
WP3084	30"	84"	4	1+6	2778	3085	3085	3085	-	-	3085	-	-	-	-	-	-	-	3183	-	-	-	-
WP3090	30"	90"	4	1+6	2980	3308	3308	3308	-	-	3308	-	-	-	-	-	-	-	3417	-	-	-	-
WP3096	30"	96"	4	1+6	3193	3547	3547	3547	-	-	3547	-	-	-	-	-	-	-	3664	-	-	-	-

WALL PANTRY DOOR SIZES

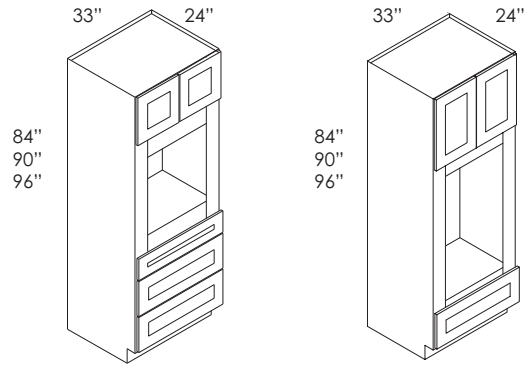
Item #	Door Width	Top Door Height	Bottom Door Height
WP1584	14-1/2"	29-5/16"	49-1/4"
WP1590	14-1/2"	35-5/16"	49-1/4"
WP1596	14-1/2"	41-5/16"	49-1/4"
WP1884	17-9/16"	29-5/16"	49-1/4"
WP1890	17-9/16"	35-5/16"	49-1/4"
WP1896	17-9/16"	41-5/16"	49-1/4"
WP2484B	11-11/16"	29-5/16"	49-1/4"
WP2490B	11-11/16"	35-5/16"	49-1/4"
WP2496B	11-11/16"	41-5/16"	49-1/4"

Item #	Door Width	Top Door Height	Bottom Door Height
WP3084	14-11/16"	29-5/16"	49-1/4"
WP3090	14-11/16"	35-5/16"	49-1/4"
WP3096	14-11/16"	41-5/16"	49-1/4"

TSG LLC and Forevermark Cabinetry LLC reserve the right to change specifications, pricing, and policies at any time without notice. Actual quotes, invoices, and purchase orders supersede catalog pricing. The provisions of this catalog do not constitute a contract, express or implied, between TSG LLC, Forevermark Cabinetry LLC, and any purchaser.

OVEN CABINETS

- 33" Width x 24" Depth
- OC33XXB opening size = 24"W x 24"H
- OM33XXB opening size = 24"W x 42"H
- OM33XX drawer height = 11-1/4", drawer width = 32-1/2"
- Can be modified into custom opening size (assembled only). Please provide height and width of opening, additional charge applies



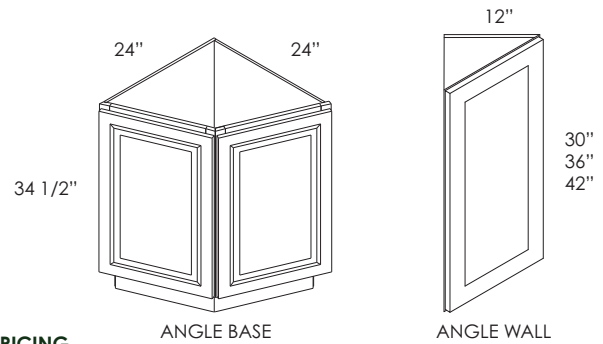
SPECS

Item #	Height	Door Height	Door Width	VW	PW	PD	PS	PR	AP	AW	AX	AB	AG	AR	SL	GW	TW	TS	AN	TG	TQ
OC3384B	84"	20-5/16"	16-1/4"	3005	3306	3306	3306	3306	3306	3306	3459	3459	3459	3459	3459	3459	3459	3459	3876	3876	3876
OC3390B	90"	23-5/16"	16-1/4"	3246	3570	3570	3570	3570	3570	3570	3732	3732	3732	3732	3732	3732	3732	3732	4182	4182	4182
OC3396B	96"	29-5/16"	16-1/4"	3464	3810	3810	3810	3810	3810	3810	3981	3981	3981	3981	3981	3981	3981	3981	4461	4461	4461
OM3384B	84"	14-1/4"	16-1/4"	-	3120	3120	3120	3120	-	3120	3264	3264	3264	3264	3264	3264	3264	3264	3657	3657	3657
OM3390B	90"	17-1/4"	16-1/4"	-	3369	3369	3369	3369	-	3369	3522	3522	3522	3522	3522	3522	3522	3522	3945	3945	3945
OM3396B	96"	23-1/4"	16-1/4"	-	3597	3597	3597	3597	-	3597	3756	3756	3756	3756	3756	3756	3756	3756	4209	4209	4209

PRICING

ANGLE WALL & BASE

- 24" Width x 34 1/2" Height x 24" Depth
- Door size 17-7/8" X 29-1/4" H
- Both doors are functional



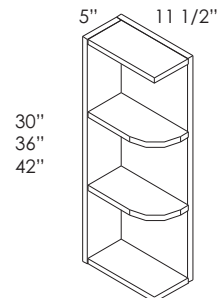
SPECS

Item #	Shelf	VW	PW	PD	PS	PR	AP	AW	AX	AB	AG	AR	SL	GW	TW	TS	AN	TG	TQ
AW30	2	552	612	612	612	612	612	612	633	633	633	633	633	633	633	633	711	711	711
AW36	2	663	735	735	735	735	735	735	759	759	759	759	759	759	759	759	852	852	852
AW42	3	777	861	861	861	861	861	861	888	888	888	888	888	888	888	888	996	996	996
AB24 (Base)	2	1401	1554	1554	1554	1554	1554	1554	1605	1605	1605	1605	1605	1605	1605	1605	1800	1800	1800

PRICING

WALL END SHELF - OPEN

- 5" Width x 34 1/2" Height x 11 1/2" Depth
- Top/Bottom panel: square corner, Shelves: round corner
- Reversible L/R by flipping unit accordingly



SPECS

Item #	Shelf	VW	PW	PD	PS	PR	AP	AW	AX	AB	AG	AR	SL	GW	TW	TS	AN	TG	TQ
WES530	2	270	270	270	303	303	270	270	270	270	270	303	270	270	270	270	303	303	303
WES536	2	324	324	324	363	363	324	324	324	324	324	363	324	324	324	324	363	363	363
WES542	3	381	381	381	429	429	381	381	381	381	381	429	381	381	381	381	429	429	429

PRICING

ROLLOUT TRAYS

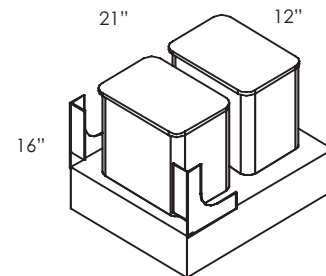
ROLLOUT TRAY WITH DOVETAIL BOX

- 2 7/8" Height x 21" Depth
- Pre-assembled Dove Tail Drawer and Undermount Full Extension Soft Close Track
- Roll out trays and cabinets sold separately
- Roll out trays installed upon request in assembled cabinets (installation is additional cost)
- Apply general multiplier only, additional discounts do not apply, net items

SPECS		PRICING																		
Item #	Width	VW	PW	PD	PS	PR	AP	AW	AX	AB	AG	AR	SL	GW	TW	TS	AN	TG	TQ	
15RT-DR	11"	294	294	294	294	294	294	294	294	294	294	294	294	294	294	294	294	294	294	294
18RT-DR	14"	330	330	330	330	330	330	330	330	330	330	330	330	330	330	330	330	330	330	330
21RT-DR	21"	346	346	346	346	346	346	346	346	346	346	346	346	346	346	346	346	346	346	346
24RT-DR	20"	360	360	360	360	360	360	360	360	360	360	360	360	360	360	360	360	360	360	360
27RT-DR	23"	397	397	397	397	397	397	397	397	397	397	397	397	397	397	397	397	397	397	397
30RT-DR	26"	434	434	434	434	434	434	434	434	434	434	434	434	434	434	434	434	434	434	434
33RT-DR	29"	527	527	527	527	527	527	527	527	527	527	527	527	527	527	527	527	527	527	527
36RT-DR	32"	621	621	621	621	621	621	621	621	621	621	621	621	621	621	621	621	621	621	621

TRASH CAN TRAY

- 13 3/4" Width x 16" Height x 21" Depth
- TCR21-2 fits B18 or B21 (sold separately)
- Full extension, not soft closing
- Includes 2 plastic cans, approx 29qt capacity
- Installation is an additional cost
- Apply general multiplier only, additional discounts do not apply, net items

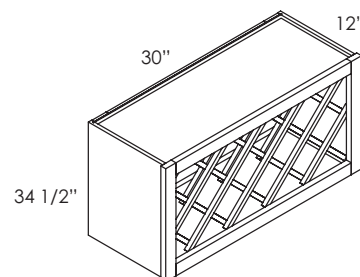


SPECS		PRICING																	
Item #	VW	PW	PD	PS	PR	AP	AW	AX	AB	AG	AR	SL	GW	TW	TS	AN	TG	TQ	
TCR21-2	1008	1008	1008	1008	1008	1008	1008	1008	1008	1008	1008	1008	1008	1008	1008	1008	1008	1008	

SPECIAL CABINETS

WINE RACK

- 30" Width x 18" Height x 12" Depth
- Lattice style wine holder panel

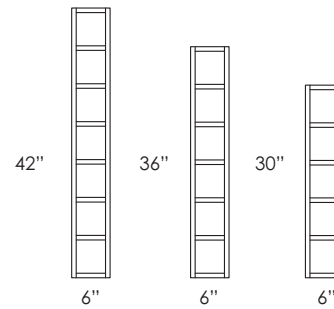


SPECS		PRICING																	
Item #	VW	PW	PD	PS	PR	AP	AW	AX	AB	AG	AR	SL	GW	TW	TS	AN	TG	TQ	
W3018WR	591	591	591	663	663	591	591	591	591	591	663	591	591	591	591	663	663	663	

TSG LLC and Forevermark Cabinetry LLC reserve the right to change specifications, pricing, and policies at any time without notice. Actual quotes, invoices, and purchase orders supersede catalog pricing. The provisions of this catalog do not constitute a contract, express or implied, between TSG LLC, Forevermark Cabinetry LLC, and any purchaser.

WALL CUBES

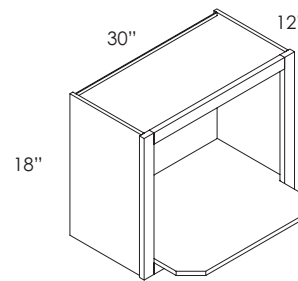
- 6" Width x 12" Depth
- WC630 - 5 cubes.
- WC636 - 6 cubes.
- WC642 - 7 cubes.



SPECS		PRICING																		
Item #	Height	VW	PW	PD	PS	PR	AP	AW	AX	AB	AG	AR	SL	GW	TW	TS	AN	TG	TQ	
WC630	30"	453	453	453	510	510	-	453	453	453	453	510	-	453	453	453	510	510	510	
WC636	36"	534	534	534	600	600	-	534	534	534	534	600	-	534	534	534	600	600	600	
WC642	42"	615	615	615	690	690	-	615	615	615	615	690	-	615	615	615	690	690	690	

MICROWAVE OVEN

- Cabinet is 30" Width x 18" Height x 12" Depth
- Stationary shelf is 18" Depth
- Opening - 26-7/8" Width x 14-1/8" Height

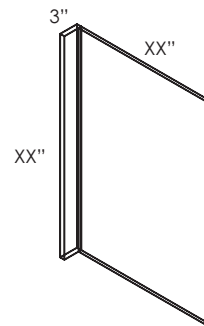


SPECS		PRICING																		
Item #	VW	PW	PD	PS	PR	AP	AW	AX	AB	AG	AR	SL	GW	TW	TS	AN	TG	TQ		
MWO3018PM-12	501	501	501	564	564	501	501	501	501	501	564	501	501	501	501	564	564	564		

PANELS

DISHWASHER PANEL

- 24" Width x 34-1/2" Height x 3/4" Depth
- 3 inch return
- Edge not finished without 3" return



SPECS		PRICING																		
Item #	VW	PW	PD	PS	PR	AP	AW	AX	AB	AG	AR	SL	GW	TW	TS	AN	TG	TQ		
DWR33412	240	240	240	270	270	240	240	240	240	240	270	240	240	240	240	270	270	270		

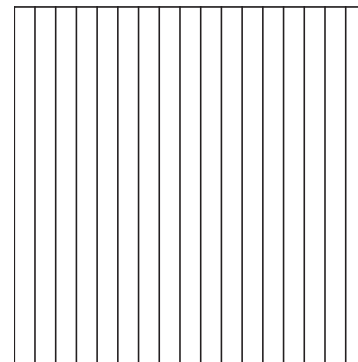
REFRIGERATOR END PANEL

- REP24XX and REP24XX(3) have 2 finished edges, usable with or without 3" return
- REP3096(3)-3/4" has 1 finished edge, usable with or without 3" return
- (3) = 3"W return

Item #	PRICING																	
	VW	PW	PD	PS	PR	AP	AW	AX	AB	AG	AR	SL	GW	TW	TS	AN	TG	TQ
REP2484-3/4"	627	627	627	705	705	627	627	627	627	627	705	627	627	627	627	705	705	705
REP2496-3/4"	717	717	717	804	804	717	717	717	717	717	804	717	717	717	717	804	804	804
REP2484(3)-3/4"	726	726	726	816	816	726	726	726	726	726	816	726	726	726	726	816	816	816
REP2496(3)-3/4"	867	867	867	972	972	867	867	867	867	867	972	867	867	867	867	972	972	972
REP3096(3)-3/4"	1176	1176	1176	1320	1320	1176	1176	1176	1176	1176	1320	1176	1176	1176	1176	1320	1320	1320

FINISHED BACK PANELS & BEADED BOARD

- Finish Back Panel and Beaded Board Panel
- FBP with vertical grain (runs longways, along height)
- FBP489614 = 1/4" thick finish back panel (48"W x 96"H)
- FBP483614 = 1/4" thick finish back panel (48"W x 36"H)
- FBP369614 = 1/4" thick finish back panel (36"W x 96"H)
- BP48341214 = 1/4" thick bead board panel (48"W x 34-1/2"H)
- Finished on 1-side



BP48

Item #	PRICING																	
	VW	PW	PD	PS	PR	AP	AW	AX	AB	AG	AR	SL	GW	TW	TS	AN	TG	TQ
FBP483614(1)	285	285	285	321	321	285	285	285	285	285	321	285	285	285	285	321	321	321
FBP369614(1)	480	480	480	540	540	480	480	480	480	480	540	480	480	480	480	540	540	540
FBP489614(1)	507	507	507	570	570	507	507	507	507	507	570	507	507	507	507	570	570	570
BP48341214	477	477	477	537	537	477	477	477	477	477	537	477	477	477	477	537	537	537

TOE KICK

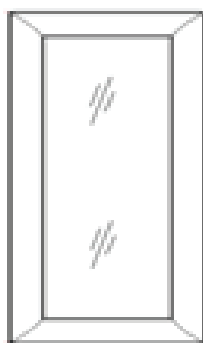
- 96" Width x 4 1/2" Height x 1/4" Depth

Item #	PRICING																	
	VW	PW	PD	PS	PR	AP	AW	AX	AB	AG	AR	SL	GW	TW	TS	AN	TG	TQ
TK8	147	147	147	165	165	147	147	147	147	147	165	147	147	147	147	165	165	165

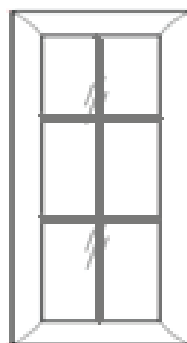
GLASS DOORS

SPECS				PRICING																		
Item #	Width	Height	Piece	VW	PW	PD	PS	PR	AP	AW	AX	AB	AG	AR	SL	GW	TW	TS	AN	TG	TQ	
W1212GD*	11-5/16"	11-5/16"	1	162	162	162	182	182	-	162	-	162	162	182	-	-	162	-	-	-	-	
W1512GD*	14-11/16"	11-5/16"	1	173	173	173	194	194	-	173	-	173	173	194	-	-	173	-	-	-	-	
W1812GD*	17-1/2"	11-5/16"	1	215	215	215	241	241	-	215	-	215	215	241	-	-	215	-	-	-	-	
W2112GD*	20-1/2"	11-5/16"	1	256	256	256	287	287	-	256	-	256	256	287	-	-	256	-	-	-	-	
W2412BGD	23-1/2"	11-5/16"	2/set	273	273	273	306	306	-	273	-	273	273	306	-	-	273	-	-	-	-	
W2712BGD	13-5/16"	11-5/16"	2/set	278	278	278	312	312	-	278	-	278	278	312	-	-	278	-	-	-	-	
W3012BGD	14-11/16"	11-5/16"	2/set	282	282	282	316	316	-	282	282	282	282	316	-	-	282	282	316	-	316	
W3312BGD	16-5/16"	11-5/16"	2/set	305	305	305	342	342	-	305	-	305	305	342	-	-	305	-	-	-	-	
W3612BGD	17-11/16"	11-5/16"	2/set	330	330	330	370	370	-	330	-	330	330	370	-	-	330	-	-	-	-	
W1530GD	14-11/16"	11-5/16"	1	243	243	243	273	273	243	243	243	243	243	273	-	-	243	243	273	273	273	
W1530MGD	14-1/2"	29-5/16"	1	-	-	-	-	-	-	-	-	-	-	-	267	267	267	267	300	300	300	
W1830GD	17-1/2"	29-5/16"	1	321	321	321	360	360	321	321	321	321	321	360	-	-	321	321	360	360	360	
W1830MGD	17-1/2"	29-5/16"	1	-	-	-	-	-	-	-	-	-	-	-	354	354	354	354	399	399	399	
W2430BGD	23-1/2"	29-5/16"	2/set	426	426	426	459	459	-	426	-	-	426	459	-	-	-	-	459	-	-	
W2430BMGD	23-1/2"	29-5/16"	2/set	-	-	-	-	-	-	-	-	-	-	-	469	469	469	469	-	504	504	
W3030BGD	14-11/16"	29-5/16"	2/set	495	495	495	555	555	495	495	495	495	495	555	-	-	495	495	555	555	555	
W3030BMGD	14-11/16"	29-5/16"	2/set	-	-	-	-	-	-	-	-	-	-	-	546	546	546	546	612	612	612	
W3630BGD	17-11/16"	29-5/16"	2/set	729	729	729	819	819	729	729	729	729	729	819	-	-	729	729	819	819	819	
W3630BMGD	17-11/16"	29-5/16"	2/set	-	-	-	-	-	-	-	-	-	-	-	802	802	-	802	903	903	-	
WDC2412GD*	14 15/16"	11-5/16"	1	252	252	252	283	283	-	252	-	-	252	283	-	-	252	-	-	-	-	
WDC2430GD	14-15/16"	29-5/16"	1	261	261	261	294	294	261	261	261	261	261	294	-	-	261	261	294	294	294	
WDC2430MGD	14-15/16"	29-5/16"	1	-	-	-	-	-	-	-	-	-	-	-	288	288	288	288	324	324	324	
W1536GD	14-1/2"	35-5/16"	1	288	288	288	324	324	288	288	288	288	288	324	-	-	288	288	324	324	324	
W1536MGD	14-1/2"	35-5/16"	1	-	-	-	-	-	-	-	-	-	-	-	318	318	318	318	357	357	357	
W1836GD	17-1/2"	35-5/16"	1	384	384	384	432	432	384	384	384	384	384	432	-	-	384	384	432	432	432	
W1836MGD	17-1/2"	35-5/16"	1	-	-	-	-	-	-	-	-	-	-	-	423	423	423	423	474	474	474	
W2436BGD	23-1/2"	35-5/16"	2/set	492	492	492	531	531	-	492	-	-	492	531	-	-	-	-	531	-	-	
W2436BMGD	23-1/2"	35-5/16"	2/set	-	-	-	-	-	-	-	-	-	-	-	510	510	510	510	-	573	573	
W3036BGD	14-11/16"	35-5/16"	2/set	561	561	561	630	630	561	561	561	561	561	630	-	-	561	561	630	630	630	
W3036BMGD	14-11/16"	35-5/16"	2/set	-	-	-	-	-	-	-	-	-	-	-	618	618	618	618	693	693	693	
W3636BGD	17-11/16"	35-5/16"	2/set	783	783	783	879	879	783	783	783	783	783	879	-	-	783	783	879	879	879	
W3636BMGD	17-11/16"	35-5/16"	2/set	-	-	-	-	-	-	-	-	-	-	-	862	862	-	862	969	969	-	
WDC2436GD	14-15/16"	35-5/16"	2/set	312	312	312	351	351	312	312	312	312	312	351	-	-	312	312	351	351	351	
WDC2436MGD	14-15/16"	35-5/16"	2/set	-	-	-	-	-	-	-	-	-	-	-	342	342	342	342	384	384	384	
WDC273615GD	14-15/16"	35-5/16"	1	369	369	369	414	414	369	369	369	369	369	414	-	-	369	369	414	414	414	
WDC273615MGD	14-15/16"	35-5/16"	1	-	-	-	-	-	-	-	-	-	-	-	408	408	408	408	459	459	459	
W1542GD	14-1/2"	41-5/16"	1	339	339	339	381	381	339	339	339	339	339	381	-	-	339	339	381	381	381	
W1542MGD	14-1/2"	41-5/16"	1	-	-	-	-	-	-	-	-	-	-	-	372	372	372	372	417	417	417	
W1842GD	17-1/2"	41-5/16"	1	447	447	447	501	501	447	447	447	447	447	501	-	-	447	447	501	501	501	
W1842MGD	17-1/2"	41-5/16"	1	-	-	-	-	-	-	-	-	-	-	-	492	492	492	492	552	552	552	
W2442BGD	23-1/2"	41-5/16"	2/set	597	597	597	639	639	-	597	-	-	597	639	-	-	-	-	639	-	-	
W2442BMGD	23-1/2"	41-5/16"	2/set	-	-	-	-	-	-	-	-	-	-	-	656	656	656	656	-	684	684	
W3042BGD	14-11/16"	41-5/16"	2/set	693	693	693	777	777	693	693	693	693	693	777	-	-	693	693	777	777	777	
W3042BMGD	14-11/16"	41-5/16"	2/set	-	-	-	-	-	-	-	-	-	-	-	765	765	765	765	855	855	855	
W3642BGD	17-11/16"	41-5/16"	2/set	969	969	969	1086	1086	969	969	969	969	969	1086	-	-	969	969	1086	1086	1086	
W3642BMGD	17-11/16"	41-5/16"	2/set	-	-	-	-	-	-	-	-	-	-	-	1065	1065	-	1065	1197	1197	-	
WDC2442GD	14-11/16"	41-5/16"	1	366	366	366	411	411	366	366	366	366	366	411	-	-	366	366	411	411	411	
WDC2442MGD	14-11/16"	41-5/16"	1	-	-	-	-	-	-	-	-	-	-	-	402	402	402	402	453	453	453	
WDC274215GD	14-11/16"	41-5/16"	1	-	450	450	504	504	450	450	450	450	450	504	-	-	450	450	504	504	504	
WDC274215MGD	14-11/16"	41-5/16"	1	-	-	-	-	-	-	-	-	-	-	-	495	495	495	495	555	555	555	

- All glass doors include glass pre-inserted.
- WXXXXGD = No mullion
- WXXXXMGD = With mullion
- Cabinet sold separately
- Frosted Glass - AP
- Clear Glass - VW, AW, SL, GW, TW, TS, AG, AN, TG, TQ, AX, PS, PR, AR, PW, PD



NO MULLION
 AG AP AW TW VW
 AN TG TS TQ AX PW
 PS PD PR AR

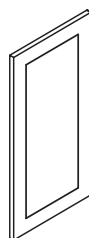


INCLUDES MULLION
 TQ TS SL GW
 TW AN TG

DECOR DOORS & ACCESSORIES

END DECORATIVE DOORS

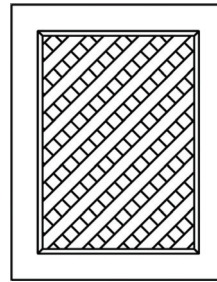
- EPW = Wall end decorative door
- EPB = Base end decorative door
- EPWP = Wall pantry/tall end decorative door



Item #	SPECS										PRICING									
	Width	Height	VW	PW	PD	PS	PR	AP	AW	AX	AB	AG	AR	SL	GW	TW	TS	AN	TG	TQ
EPW1212D	11-1/2"	11-1/2"	190	206	206	206	206	-	206	-	213	213	213	-	-	213	-	-	-	-
EPW1230D	11-1/2"	29-5/16"	201	222	222	222	222	222	222	228	228	228	228	228	228	228	228	258	258	258
EPW1236D	11-1/2"	35-5/16"	243	270	270	270	270	270	270	279	279	279	279	279	279	279	279	315	315	315
EPW1242D	11-1/2"	41-5/16"	294	324	324	324	324	324	324	333	333	333	333	333	333	333	333	375	375	375
EPB24D	23-3/4"	29-5/16"	507	561	561	561	561	561	561	579	579	579	579	579	579	579	579	651	651	651
EPWP2484D —Top Door	23-3/4"	29-5/16"	-	711	711	711	711	711	711	717	717	717	717	717	717	717	717	804	804	804
—Middle/ Bottom Doors	23-3/4"	49-1/4"	-	-	-	-	-	-	-	-	-	-	-	-	-	-	-	-	-	-
EPWP2490D —Top Door	23-3/4"	35-5/16"	-	804	804	804	804	804	804	807	807	807	807	807	807	807	807	906	906	906
—Middle/ Bottom Doors	23-3/4"	49-1/4"	-	-	-	-	-	-	-	-	-	-	-	-	-	-	-	-	-	-
EPWP2496D —Top Door	23-3/4"	41-5/16"	-	900	900	900	900	900	900	918	918	918	918	918	918	918	918	993	993	993
—Middle/ Bottom Doors	23-3/4"	49-1/4"	-	-	-	-	-	-	-	-	-	-	-	-	-	-	-	-	-	-

LATTICE DOORS

- Lattice doors only (2 pcs per pack) cabinet sold separately.
- Lattice doors option for sink base and base.
- 30"W to 36"W - all styles with double headers



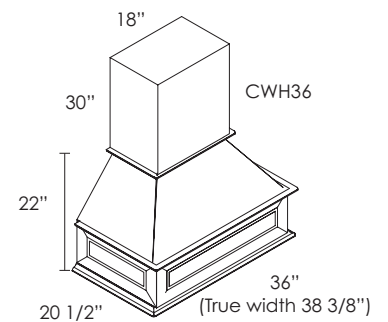
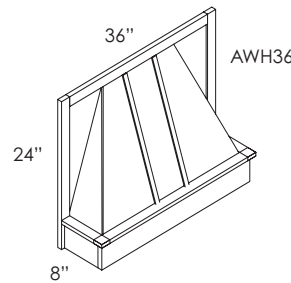
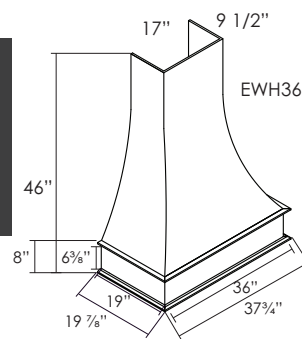
SPECS

PRICING

Item #	VW	PW	PD	PS	PR	AP	AW	AX	AB	AG	AR	SL	GW	TW	TS	AN	TG	TQ
SB30B-ND-SP	-	-	-	-	-	-	-	-	-	-	-	879	879	879	-	-	-	-
SB33B-ND-SP	-	-	-	-	-	-	-	-	-	-	-	921	921	921	-	-	-	-
SB36B-ND-SP	-	-	-	-	-	-	-	-	-	-	-	966	966	966	-	-	-	-

RANGE HOODS

- CWH36 and EWH36 - top can be trimmed



SPECS

PRICING

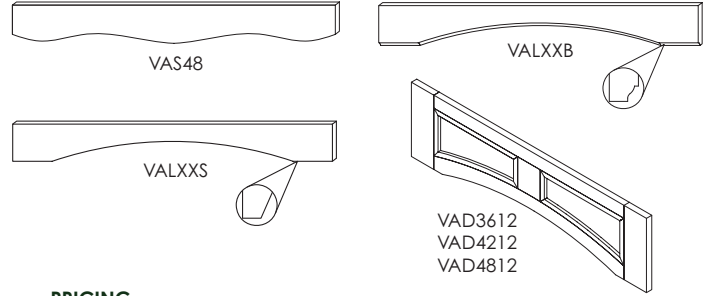
Item #	Width	Height	Depth	VW	PW	PD	PS	PR	AP	AW	AX	AB	AG	AR	SL	GW	TW	TS	AN	TG	TQ
AWH36	36"	24"	8"	1536	1536	-	-	-	1536	1536	1536	1536	1536	-	1536	1536	1536	1536	1722	1722	1722
CWH36	36"	22"+30"	20 1/2"	-	1827	1827	2049	2049	-	-	1827	1827	1827	2049	1827	1827	1827	1827	2049	2049	2049
EWH36	36"	46"	19 7/8"	2432	2432	2432	2728	2728	-	2432	-	-	-	2728	-	-	2432	-	-	-	-



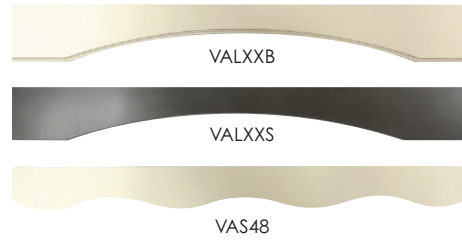
TRIM DETAILS

VALANCES

- VADXXXX are trimmable 2 1/2" on both sides.
- VALXXX are trimmable 6" on both sides.

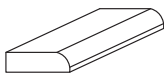


SPECS			PRICING																	
Item #	Width	Height	VW	PW	PD	PS	PR	AP	AW	AX	AB	AG	AR	SL	GW	TW	TS	AN	TG	TQ
VAS48	36"	12"/8"	126	126	-	-	-	126	126	-	-	-	-	126	-	-	-	-	-	-
VAD3612	36"	12"/8"	345	345	345	390	390	345	345	-	-	-	390	345	345	-	-	-	-	390
VAD4212	42"	12"/8"	435	435	435	492	492	435	435	-	-	-	492	435	435	-	-	-	-	492
VAD4812	48"	12"/8"	546	-	-	-	-	546	546	-	-	-	-	546	546	-	-	-	-	618
VAL48B	48"	6"	-	339	-	-	-	-	339	-	-	-	-	339	339	339	-	-	381	381
VAL54B	54"	6"	-	369	-	-	-	-	369	-	-	-	-	369	369	369	-	-	414	414
VAL48S	48"	6"	339	339	339	381	381	339	339	339	339	381	-	339	339	339	381	-	-	
VAL54s	54"	6"	369	369	-	-	-	369	369	369	369	369	-	369	369	369	414	-	-	



CORNER MOLDINGS

- Comes in 96" long sections



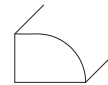
SC1-3
Bull Nose Scribe



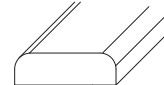
SC4
Inside Corner



SC5
Outside Corner



SC6
Shoe

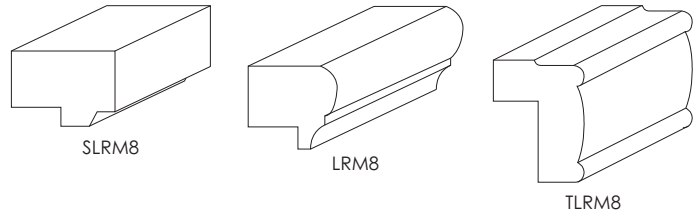


SC8
Batten

SPECS			PRICING																	
Item #	Height	Depth	VW	PW	PD	PS	PR	AP	AW	AX	AB	AG	AR	SL	GW	TW	TS	AN	TG	TQ
SC1-3 (SM)	3/4"	1/4"	60	60	60	69	69	60	60	60	60	60	69	60	60	60	60	69	69	69
SC4 (ICM)	3/4"	3/4"	87	87	87	99	99	87	87	87	87	87	99	87	87	87	87	99	99	99
SC5 (OCM)	3/4"	1/4"	84	84	84	96	96	84	84	84	84	84	96	84	84	84	84	96	96	96
SC6 (SM)	3/4"	1/2"	96	96	96	111	111	-	96	96	96	96	111	96	96	96	96	111	111	111
SC8 (BM)	3/4"	1/4"	90	90	90	105	105	-	90	90	90	90	105	90	90	90	90	105	105	105

LIGHT RAIL MOLDINGS

• Comes in 96" long sections



SPECS

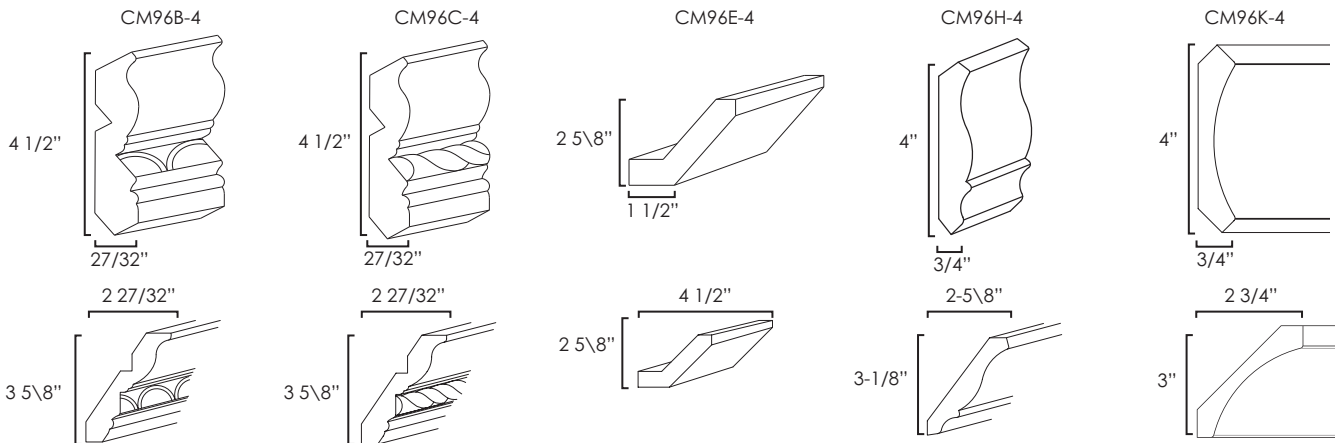
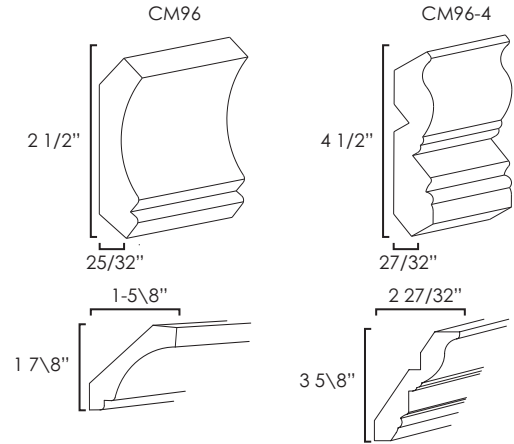
Item #	Height	Depth
LRM8	1"	1 1/2"
TLRM8	1 1/4"	1 1/2"
SLRM8	1"	1 1/2"

PRICING

Item #	Height	Depth	VW	PW	PD	PS	PR	AP	AW	AX	AB	AG	AR	SL	GW	TW	TS	AN	TG	TQ
LRM8	1"	1 1/2"	243	243	243	273	273	243	243	243	243	243	273	243	243	243	243	273	273	273
TLRM8	1 1/4"	1 1/2"	594	594	594	666	666	594	594	594	594	594	666	594	594	594	594	666	666	666
SLRM8	1"	1 1/2"	594	594	594	666	666	-	594	-	-	-	666	-	594	594	-	-	-	-

CROWN MOLDINGS

- Measurements are approximate projections.
- CM96B-4 - crown molding with egg and dart detail fastened to molding.
- CM96C-4 - crown molding with rope detail fastened to molding.
- CM96E-4 - crown molding is straight
- CM96K-4 - crown molding with large cove detail
- Molding details applied. No installation required.
- Comes in 96" long sections



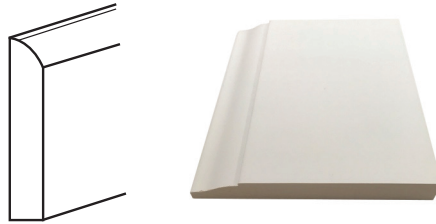
SPECS

Item #	VW	PW	PD	PS	PR	AP	AW	AX	AB	AG	AR	SL	GW	TW	TS	AN	TG	TQ
CM96	222	222	222	249	249	222	222	222	222	222	249	222	222	222	222	249	249	249
CM96-4	357	357	357	405	405	357	357	357	357	-	405	357	357	357	-	-	-	405
CM96B-4	-	-	-	-	-	-	-	-	-	-	-	489	-	-	-	-	-	-
CM96C-4	-	489	-	-	-	-	-	-	-	-	-	489	489	489	-	-	-	-
CM96E-4	468	468	-	-	-	468	468	-	-	-	-	-	468	468	-	-	-	-
CM96H-4	357	357	357	402	402	357	357	357	357	357	402	357	357	357	357	402	402	402
CM96K-4	420	420	420	471	471	420	420	420	420	420	471	-	420	420	420	471	471	-

PRICING

BASE BOARD MOLDINGS

- Comes in 96" long sections
- No glaze line on TQ



SPECS				PRICING																
Item #	Height	Depth	VW	PW	PD	PS	PR	AP	AW	AX	AB	AG	AR	SL	GW	TW	TS	AN	TG	TQ
BM4-1/2"-5/8"	4 1/2"	5/8"	348	348	348	390	390	348	348	348	348	348	390	348	348	348	348	390	390	390

CORBELS & APPLIQUES

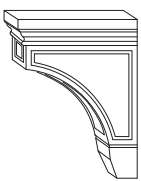
- Raised Center on CORBEL59
- Recessed Center on CORBEL75X



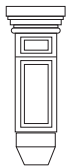
CORBEL 60S
CORBEL 60L



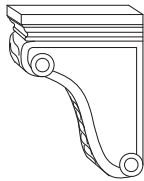
DOA



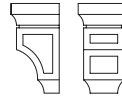
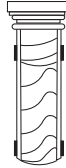
CORBEL 59



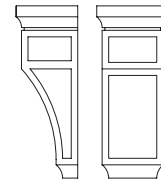
CORBEL 58



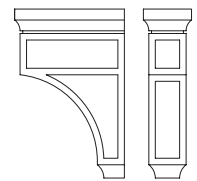
CORBEL 56 (Small)
CORBEL 57 (Large)



CORBEL 75S



CORBEL 75M



CORBEL 75L

SPECS				PRICING																	
Item #	Width	Height	Depth	VW	PW	PD	PS	PR	AP	AW	AX	AB	AG	AR	SL	GW	TW	TS	AN	TG	TQ
DOA	19 7/8"	4 1/4"		-	-	-	-	-	609	-	-	-	-	-	609	-	-	-	-	-	-
CORBEL56	3"	6"	4"	381	381	-	-	-	-	381	-	-	-	-	381	381	381	-	-	-	432
CORBEL57	3"	9"	6"	594	594	-	-	-	-	594	-	-	-	-	594	594	594	-	-	-	672
CORBEL58	3"	9"	6"	-	-	-	-	-	513	-	-	-	-	-	-	-	-	-	-	-	-
CORBEL59	3"	9"	6"	285	285	285	321	321	285	285	-	285	285	321	-	285	285	285	321	321	321
CORBEL60S	5"	10"	5"	540	540	-	-	-	-	540	-	-	-	-	540	540	540	-	-	-	540
CORBEL60L	7"	17"	7"	-	-	-	-	-	-	-	-	-	-	-	1170	-	-	-	-	-	-
CORBEL75S	3 3/4"	6 1/2"	3 1/2"	477	477	-	-	-	-	477	-	477	477	-	-	477	477	477	537	537	537
CORBEL75M	5 1/4"	12 1/2"	4 1/2"	651	651	-	-	-	-	651	-	651	651	-	-	651	651	651	732	732	732
CORBEL75L	3 1/2"	12 1/2"	8"	690	690	-	-	-	-	690	-	690	690	-	-	690	690	690	774	774	774



CORBEL 59



CORBEL 58



CORBEL 56
CORBEL 57



CORBEL 75S, 75M, 75L



CORBEL 60S
CORBEL 60L

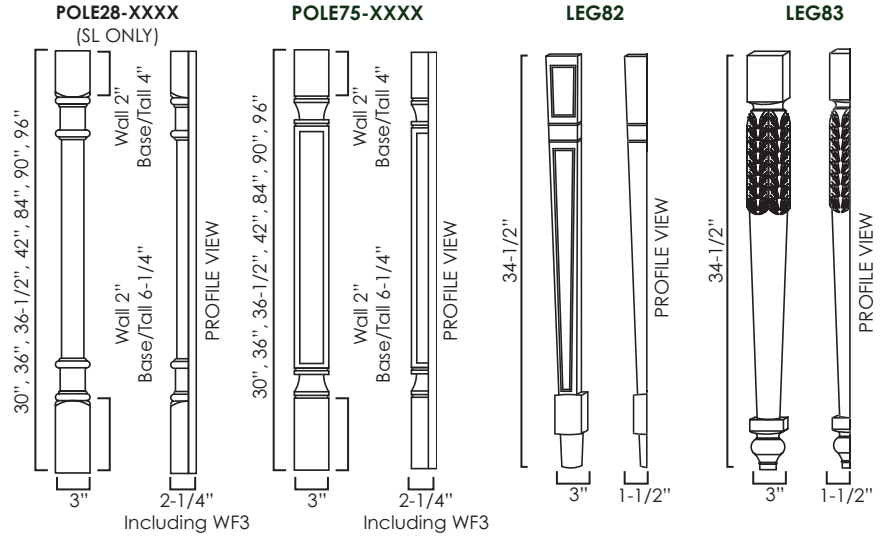


DOA

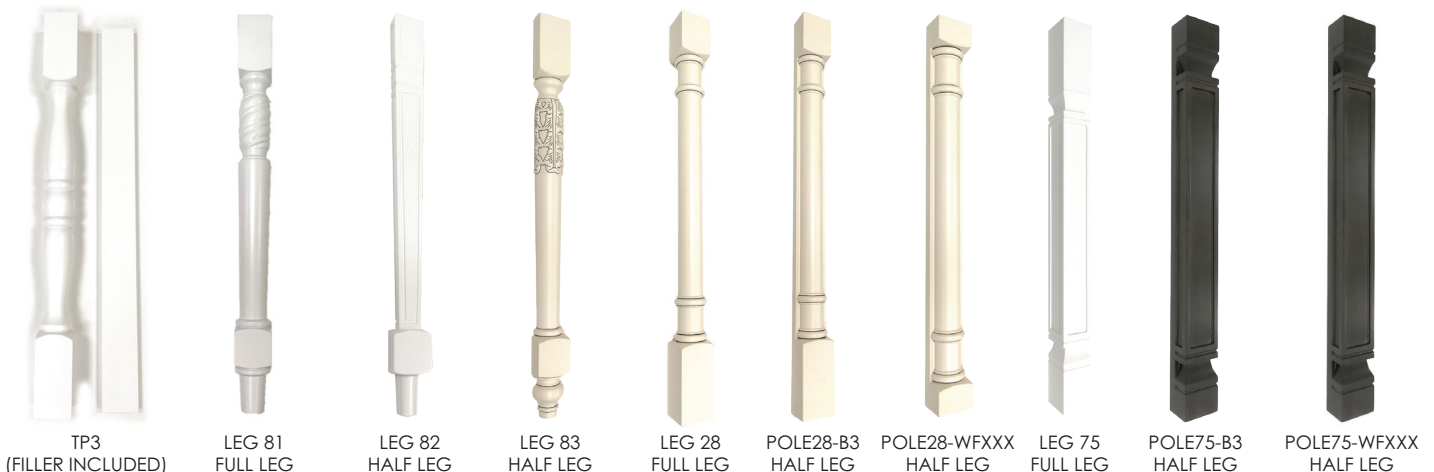
DÉCOR LEGS AND PILASTERS

HALF LEG

- All 3" Width
- POLE28-XXXX & POLE75-XXXX styles include WF3 Wall Filler (trimmable).
- POLE28-WXXX - Half leg - SL & TQ ONLY
- POLE28-TXXX - Half tall leg - SL ONLY includes WF3 Wall filler (trimmable).
- POLE75-B3 - Half leg includes WF3 Wall filler (trimmable).
- POLE75-WXXX - Half leg includes WF3 Wall filler.
- POLE75-TXXX - Half tall leg includes WF3 Wall filler (trimmable).

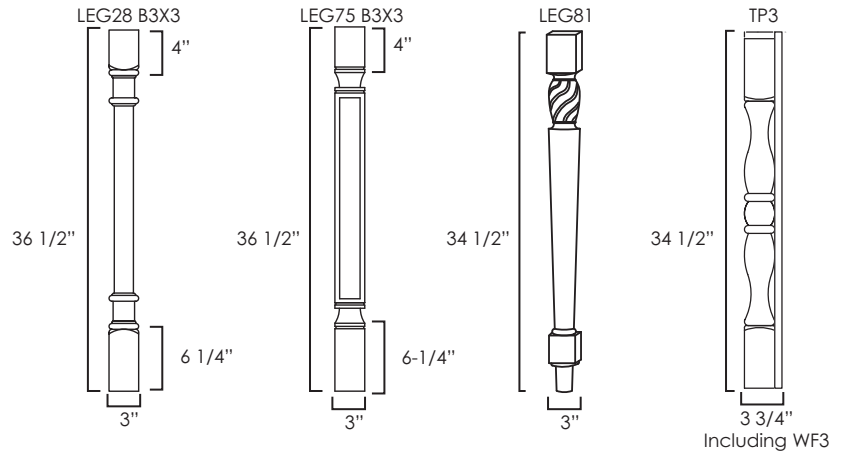


SPECS			PRICING																		
Item #	Height	Depth	VW	PW	PD	PS	PR	AP	AW	AX	AB	AG	AR	SL	GW	TW	TS	AN	TG	TQ	
POLE28-B3	36 1/2"	3"	-	-	-	-	-	-	-	-	-	-	-	681	-	-	-	-	-	-	771
POLE28-W330	30"	2 1/4"	-	-	-	-	-	-	-	-	-	-	-	378	-	-	-	-	-	-	429
POLE28-W336	36"	2 1/4"	-	-	-	-	-	-	-	-	-	-	-	417	-	-	-	-	-	-	474
POLE28-W342	36"	2 1/4"	-	-	-	-	-	-	-	-	-	-	-	480	-	-	-	-	-	-	543
POLE28-T384	84"	2 1/4"	-	-	-	-	-	-	-	-	-	-	-	825	-	-	-	-	-	-	-
POLE28-T390	90"	2 1/4"	-	-	-	-	-	-	-	-	-	-	-	873	-	-	-	-	-	-	-
POLE28-T396	96"	2 1/4"	-	-	-	-	-	-	-	-	-	-	-	924	-	-	-	-	-	-	-
POLE75-B3	36 1/2"	3"	681	681	681	765	765	-	681	681	681	681	765	-	681	681	681	765	765	765	765
POLE75-W330	30"	2 1/4"	378	378	-	-	-	-	378	-	378	378	-	-	378	378	378	426	426	426	426
POLE75-W336	36"	2 1/4"	417	417	-	-	-	-	417	-	417	417	-	-	417	417	417	468	468	468	468
POLE75-W342	42"	2 1/4"	480	480	-	-	-	-	480	-	480	480	-	-	480	480	480	540	540	540	540
POLE75-T384	84"	2 1/4"	825	825	-	-	-	-	825	-	825	825	-	-	825	825	825	924	924	924	924
POLE75-T390	90"	2 1/4"	873	873	-	-	-	-	873	-	873	873	-	-	873	873	873	978	978	978	978
POLE75-T396	96"	2 1/4"	924	924	-	-	-	-	924	-	924	924	-	-	924	924	924	1035	1035	1035	1035
LEG81	34 1/2"	3"	525	525	-	-	-	525	525	-	-	-	-	525	525	525	-	-	-	-	594
LEG82	34 1/2"	1 1/2"	498	498	-	-	-	498	498	-	-	-	-	-	-	-	-	-	-	-	-
LEG83	34 1/2"	1 1/2"	582	582	-	-	-	-	-	-	-	-	-	582	582	582	-	-	-	-	660



FULL LEG

- All 3" Width
- LEG28 & LEG75 - Must trim 2" off top or bottom
- TP3/WF34-1/2 - includes wall filler 3"width x 34-1/2"height

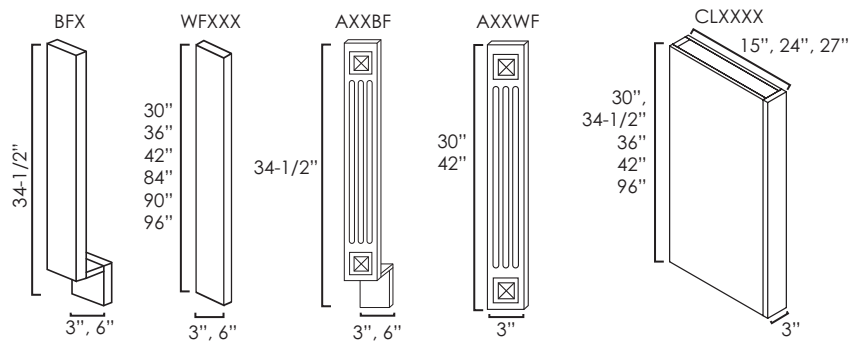


SPECS

Item #	Height	Depth	PRICING																		
			VW	PW	PD	PS	PR	AP	AW	AX	AB	AG	AR	SL	GW	TW	TS	AN	TG	TQ	
TP3/WF34-1/2"	34 1/2"	3 3/4"	621	621	621	705	705	621	621	-	-	-	705	621	621	621	-	-	-	705	
LEG28 B3x3	36 1/2"	3"	-	-	-	-	-	-	-	-	-	-	-	750	-	-	-	-	-	-	849
LEG75 B3x3	36 1/2"	3"	750	750	750	840	840	-	750	-	750	750	840	-	750	750	750	840	840	840	

WALL & BASE FILLERS & BOXED COLUMNS

- Fillers are 3/4" thick and finished on all sides and edges.
- Boxed columns can be used as floating shelves
- CLWXXX is trimmable to different height & width

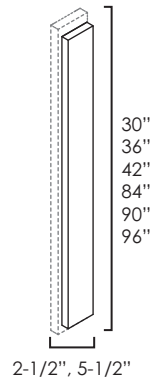


SPECS

Item #	Width	Height	Depth	PRICING																	
				VW	PW	PD	PS	PR	AP	AW	AX	AB	AG	AR	SL	GW	TW	TS	AN	TG	TQ
WF3-3/4	3"	30"	3/4"	66	66	66	75	75	66	66	66	66	66	75	66	66	66	66	75	75	75
WF336-3/4	3"	36"	3/4"	81	81	81	93	93	81	81	81	81	81	93	81	81	81	81	93	93	93
WF342-3/4	3"	42"	3/4"	102	102	102	117	117	102	102	102	102	102	117	102	102	102	102	117	117	117
WF384-3/4	3"	84"	3/4"	189	189	189	213	213	189	189	189	189	189	213	189	189	189	189	213	213	213
WF396-3/4	3"	96"	3/4"	222	222	222	249	249	222	222	222	222	222	249	222	222	222	222	249	249	249
WF6-3/4	6"	30"	3/4"	135	135	135	153	153	135	135	135	135	135	153	135	135	135	135	153	153	153
WF642-3/4	6"	42"	3/4"	198	198	198	222	222	198	198	198	198	198	222	198	198	198	198	222	222	222
WF696-3/4	6"	96"	3/4"	435	435	435	489	489	435	435	435	435	435	489	435	435	435	435	489	489	489
BF3-3/4	3"	34 1/2"	3/4"	108	108	108	123	123	108	108	108	108	108	123	108	108	108	108	123	123	123
BF6-3/4	6"	34 1/2"	3/4"	183	183	183	207	207	183	183	183	183	183	207	183	183	183	183	207	207	207
A30WF	3"	30"	3/4"	108	108	-	-	-	108	108	-	-	-	-	108	108	108	-	-	-	123
A36WF	3"	36"	3/4"	135	135	-	-	-	135	135	-	-	-	-	135	135	135	-	-	-	153
A42WF	3"	42"	3/4"	153	153	-	-	-	153	153	-	-	-	-	153	153	153	-	-	-	174
A3BF	3"	34 1/2"	3/4"	147	147	-	-	-	147	147	-	-	-	-	147	147	147	-	-	-	168
A6BF	6"	34 1/2"	3/4"	306	306	-	-	-	306	306	-	-	-	-	306	306	306	-	-	-	348
CLB334-1/2	3"	34 1/2"	24"	510	510	510	573	573	-	510	510	510	510	573	510	510	510	510	573	573	573
CLW330	3"	30"	15"	330	330	330	372	372	-	330	330	330	330	372	330	330	330	330	372	372	372
CLW336	3"	36"	15"	393	393	393	441	441	-	393	393	393	393	441	393	393	393	393	441	441	441
CLW342	3"	42"	15"	459	459	459	516	516	-	459	459	459	459	516	459	459	459	459	516	516	516
CLW396	3"	96"	27"	1530	1530	1530	1716	1716	-	1530	1530	1530	1530	1716	1530	1530	1530	1530	1716	1716	1716

OVERLAY FILLERS

- 3/4" Solid wood
- Outer profile matches door style
- Mounted to wall filler, base filler, or column boxes. Fillers sold separately.



SPECS			PRICING																	
Item #	Width	Height	VW	PW	PD	PS	PR	AP	AW	AX	AB	AG	AR	SL	GW	TW	TS	AN	TG	TQ
OLF330	3"	30"	66	66	66	75	75	-	66	66	66	66	75	66	66	66	66	75	75	75
OLF336	3"	36"	81	81	81	93	93	-	81	81	81	81	93	81	81	81	81	93	93	93
OLF342	3"	42"	102	102	102	117	117	-	102	102	102	102	117	102	102	102	102	117	117	117
OLF630	3"	84"	123	123	123	138	138	-	123	123	123	123	138	123	123	123	123	138	138	138
OLF636	3"	96"	162	162	162	183	183	-	162	162	162	162	183	162	162	162	162	183	183	183
OLF642	6"	30"	180	180	180	204	204	-	180	180	180	180	204	180	180	180	180	204	204	204
OLF384	6"	42"	285	285	-	-	-	-	285	285	285	285	-	285	285	285	285	321	321	321
OLF390	6"	96"	339	339	-	-	-	-	339	339	339	339	-	339	339	339	339	381	381	381
OLF396	3"	34 1/2"	387	387	-	-	-	-	387	387	387	387	-	387	387	387	387	435	435	435

SAMPLES

- Apply general multiplier only, additional discounts do not apply, net items

SPECS			PRICING																	
Item #	Height	Width	VW	PW	PD	PS	PR	AP	AW	AX	AB	AG	AR	SL	GW	TW	TS	AN	TG	TQ
SMD3015	14-1/2"	14-1/2"	119	119	119	119	119	119	119	119	119	119	119	119	119	119	119	119	119	119
SB15 mini	24"	12"	208	208	208	208	208	208	208	208	208	208	208	208	208	208	208	208	208	208

REPAIR KITS & STAIN/PAINT

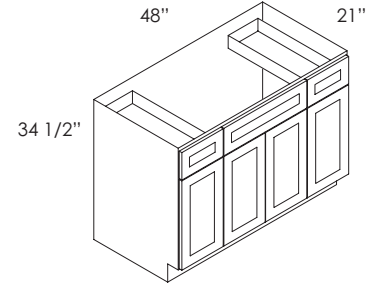
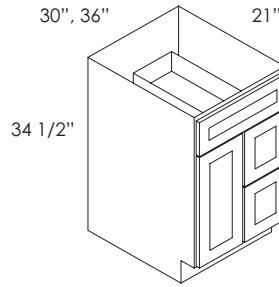
- Apply general multiplier only, additional discounts do not apply, net items
- Repair kits contain putty marker and touch up marker
- Stains = 1 pint
- Stain Spray cans = 13 ounces

SPECS		PRICING																	
Item #		VW	PW	PD	PS	PR	AP	AW	AX	AB	AG	AR	SL	GW	TW	TS	AN	TG	TQ
Repair Kit		83	83	148	148	148	83	83	83	83	83	148	148	83	83	83	83	83	83
Stain Spray Can		160	160	160	160	160	160	160	160	160	160	160	160	160	160	160	160	160	160

VANITIES

VANITIES - WITH DRAWERS

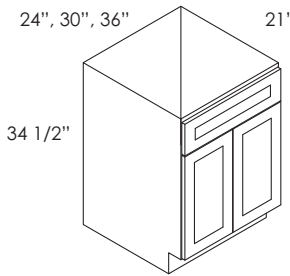
- 34 1/2" Height x 21" depth



SPECS				PRICING																	
Item #	Width	Door	Drawer	VW	PW	PD	PS	PR	AP	AW	AX	AB	AG	AR	SL	GW	TW	TS	AN	TG	TQ
S3021DL-34-1/2"	30"	2	2	-	1311	1311	1311	1311	1311	1311	1341	1341	1341	1341	1341	1341	1341	1341	1503	1503	1503
S3021DR-34-1/2"	30"	2	2	-	1311	1311	1311	1311	1311	1311	1341	1341	1341	1341	1341	1341	1341	1341	1503	1503	1503
S3621BDL-34-1/2"	36"	2	2	-	1494	1494	1494	1494	1494	1494	1536	1536	1536	1536	1536	1536	1536	1536	1722	1722	1722
S3621BDR-34	36"	2	2	-	1494	1494	1494	1494	1494	1494	1536	1536	1536	1536	1536	1536	1536	1536	1722	1722	1722
S4821B12D-34	48"	4	2	-	2013	2013	2013	2013	2013	2013	2097	2097	2097	2097	2097	2097	2097	2097	2349	2349	2349

VANITIES - WITHOUT DRAWERS

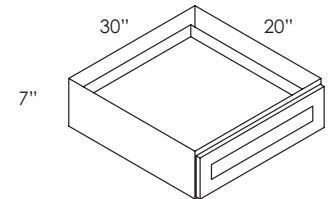
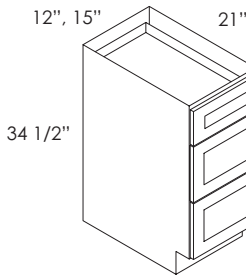
- 34 1/2" Height x 21" depth
- 2-door cabinet design



SPECS			PRICING																
Item #	Width	VW	PW	PD	PS	PR	AP	AW	AX	AB	AG	AR	SL	GW	TW	TS	AN	TG	TQ
S2421B-34-1/2"	24"	-	726	726	726	726	726	726	750	750	750	750	750	750	750	750	840	840	840
S3021B-34-1/2"	30"	-	921	921	921	921	921	921	945	945	945	945	945	945	945	945	1059	1059	1059
S3621B-34-1/2"	36"	-	1104	1104	1104	1104	1104	1104	1140	1140	1140	1140	1140	1140	1140	1140	1278	1278	1278

VANITY DRAWER PACKS

- 21" depth
- SVDU3021-7" - Desk Drawer 30" Width x 20" Depth



SPECS				PRICING																	
Item #	Width	Height	Drawer	VW	PW	PD	PS	PR	AP	AW	AX	AB	AG	AR	SL	GW	TW	TS	AN	TG	TQ
SVB1221-34-1/2"	12"	34 1/2"	3	-	1386	1386	1386	1386	1386	1386	1428	1428	1428	1428	1428	1428	1428	1428	1602	1602	1602
SVB1521-34-1/2"	15"	34 1/2"	3	-	1449	1449	1449	1449	1449	1449	1494	1494	1494	1494	1494	1494	1494	1494	1674	1674	1674
SVDU3021-7"	30"	7"	1	-	402	402	402	402	402	402	408	408	408	408	408	408	408	408	459	459	459

ORDERING DETAILS



PLACING ORDERS

Please use the order forms in your catalogue to order Forevermark Cabinetry cabinets and products. This eliminates confusion and errors. 20/20 or ProKitchen files are also accepted. If you need a copy of order forms in .pdf or Excel, please contact us at tsg@tsgcabinets.com with your company name, and we will e-mail the files to you. If orders are not indicated assembled or RTA (k/d), they will be invoiced as k/d. Forevermark Cabinetry will not be responsible for orders not placed on our order forms, or for fax/email transmission errors. Please submit all orders via fax to (732) 372-7669 or via email to orders@tsgcabinets.com.

DESIGN PROGRAMS

The Forevermark Cabinetry catalog is available on 20/20 and ProKitchen. Please note that these design programs are used as a reference and design tool. Actual cabinet specifications, design, and pricing may vary from how it appears in these programs. For actual pricing, please submit your order to our office for quotation. Forevermark Cabinetry is not responsible for pricing or specification variations in design programs.

CONFIRMING ORDERS

Order confirmations are typically generated and faxed/e-mailed back to the dealer no later than 2-4 hours. If in this time frame you do not receive a quote from us, please call our offices. The order is pending and will not be processed until the order is signed, and confirmed by the dealer, and the confirmation is returned via e-mail or fax to us. Please feel free to indicate if you have any other preferences for ship date (i.e. "Ship 11/7", "Hold until further notice", or "Call to schedule delivery"). If no indication is made, shipments will be sent out according to our lead time. Additional charges apply for orders that are canceled or revised after an order has been confirmed. A daily storage fee will apply for orders requested to be held after confirmed ship date.

EXCEPTIONAL LEAD TIME

In most circumstances, once an order is confirmed, RTA orders leave our warehouse in 1-2 days from time of confirmation. Assembled orders leave the warehouse in 3-4 days from time of confirmation. This lead time applies to all shipments regardless of shipping method (truck, ground carrier, freight carrier, pickups, etc). Longer lead times may apply for higher volume orders.

MODIFICATIONS

Moderate modifications (see page 16) are available for an additional flat fee, fees vary and are subject to change depending on the modification. Modification is subject to availability, pending time restraints, may require additional lead time, and is subject to cancellation at any time. Please inquire with our office as to which modifications we can accommodate and pricing as it does vary (typically the increase/decrease of cabinet depth, excluding drawers, and installation of roll out trays). Modified items cannot be returned. TSG and Forevermark Cabinetry reserve the right to refuse any modification request for any reason.

DIRECT DELIVERIES

Due to our rapid lead-time, delivery schedules are not determined and finalized until the evening prior to the ship date. We make the fullest effort to contact all customers the evening before or morning of their deliveries with an expected delivery time - dealers are always welcome to call our offices the morning of their delivery for their anticipated delivery window. If we are unable to contact you or someone in your office regarding a shipment, the shipment may be postponed.* Shipments that are re-scheduled the day before delivery, may also incur a re-schedule fee. Note: Additional delivery charges may apply if a delivery is returned to us for any reason and must be rescheduled. Any scheduled delivery waiting in excess of 30 minutes at a stop will be rescheduled automatically.

DELIVERY FEES

Zone 1

Forevermark Cabinetry provides free shipping for all orders over \$700 within a 75 mile delivery range in NY, NJ, and parts of PA. Multiple orders can be combined to apply for waive of shipping fees. All orders under \$700 will be charged a \$55 surcharge.

Outside of Zone 1

We receive shipping quotes from various carriers to provide you with competitive rates for your area, either using our company trucks or common carriers. The shipping quote for all deliveries outside of our delivery zone will be included in your order confirmation. Alternatively, customers can choose to arrange their own freight (see "Common Carriers/Ground shipments").

Residential/Job Site deliveries within Zone 1

Residential or job site deliveries are available for an additional fee. This includes drop ship only. Inside deliveries may be performed at the discretion of the driver. Shipments that involve deliveries above the ground floor, regardless of elevators or walk-ups, or special circumstances may incur additional fees and must be made known to us at the time of order, or such accommodations cannot be made. Please note that drivers will not be responsible for disposing or removal of packing materials. TSG and Forevermark Cabinetry reserve the right to refuse any residential or multi-floor delivery request.

Dealer is responsible for remitting payment for all direct truck residential/job site delivery orders the business day before delivery. Rescheduling fees may apply for orders rescheduled day before or upon delivery.

COMMON CARRIERS/GROUND SHIPMENTS

It may be necessary at times to send products via outside carriers (i.e. Fed Ex, UPS, etc). A freight quote will be generated on all invoices. When this occurs, the dealer is responsible for remitting payment prior to shipping, either via check, wire transfer, or credit card. Damaged items for carrier shipments must be claimed within seven (7) days. Missing items must be noted on driver's proof of delivery in order for a claim to be processed and a form must be sent into Forevermark Cabinetry (see Replacements/Claims). Customers may arrange their own common carrier or ground shipments by noting accordingly at the time their order is placed. Once the order is ready, we will contact you to advise the shipment information for pick up. At this time, we do not offer expedited shipping services through our carriers and do not accept shipping labels or bills of lading with expedited services.

PICK UP ORDERS

Dealers may pick up at our TSG/Forevermark Cabinetry warehouse location at 1130 King Georges Post Road, Edison, NJ 08837. Please indicate on your order form if you intend to do so. Please adhere to our lead time for pickups. Pick up times are Monday-Friday, 10am-3pm. We allow tail-gate pickups, as well as personal vehicles. Customer is responsible for loading their own trucks or vehicles. TSG reserves the right to refuse pickups at TSG's discretion. TSG reserves the right to refuse to provide any orders that are not confirmed at least 1-2 days prior to pick-up, although we do make every effort to accommodate walk-in or same day requests.

WARRANTY INFORMATION

There is a five year limited warranty on factory defects for most door styles. All painted door styles have a two year limited warranty. Forevermark Cabinetry will replace the defective part(s) and ship it to you at our cost using the most appropriate shipping method.

CLAIMS

When freight is delivered or picked up, please verify that your order is intact and correct BEFORE signing the driver's delivery slip. Any incorrect or missing items claims will NOT be honored once a delivery is signed for. If any items in the delivery appear to be damaged or missing, please note on the driver's delivery ticket and contact Forevermark Cabinetry immediately.

There are times when everything on a delivery looks fine, but when you open the box the item is damaged. Please open all boxes within seven (7) days of delivery. If you do not file a claim or submit a claim form in this time frame of seven (7) days, a claim cannot be filed and the item will not be replaced. Damaged item claims must be made prior to assembly and/or installation. Any damaged item that is installed or assembled will not be replaced.

REPLACEMENTS

To request a replacement for damages or warranty, please fill out the enclosed Forevermark Cabinetry replacement/return form and fax to Forevermark Cabinetry at (732) 372-7669, or send via email to claims@tsgcabinets.com. Damaged items must be claimed within seven (7) days of delivery.

We may request that all damaged parts/products to be returned upon delivery of any replacement parts, or pictures of the damaged goods. If neither is received in 30 days from delivery of replacements, we will charge your dealer account for the price of replacements. Replacements will not be honored if the item being replaced has been installed or altered. (i.e. handles/holes drilled, etc) Replacements generally take 3-7 days for processing and shipping, but can vary based on part availability.

Please note that items damaged due to shipping and/or incorrect items can only be claimed up to 7 days after delivery date. Missing items must be noted upon delivery on driver's delivery slip(s). This includes and is not limited to shipping damages, dents, or scratches. TSG/Forevermark Cabinetry reserves the right to replace solely the damaged part on both RTA or assembled cabinets, not the cabinet in its entirety. Replacement items ship via LTL or ground carrier. Expedited replacement items or shipping arrangements cannot be accommodated. All damaged items must be submitted at one time. Otherwise, additional charges may occur. Some replacement parts are subject to availability, and may differ from those originally supplied. Replacements parts can only be shipped within 48 contiguous US states, otherwise dealer is responsible for shipping arrangements.

RETURNS

Cabinets can be accepted for return for up to 60 days after delivery date. We can only accept RTA returns in good condition and original packaging. Assembled, modified or special order cabinets cannot be returned. RTA cabinets that are assembled cannot be returned. All returns are subject to inspection and a 25% restocking fee. Returns are accepted for credit only, and applicable credit will be applied to the dealer account. Credit cannot be given for product returned without the proper paperwork. Orders that are confirmed but are canceled prior to delivery or refused upon delivery will also incur a restocking fee. Damaged goods or items can be returned in accordance with our normal return policies (customers are responsible for return freight and restocking fees).

To request a return, please fill out the enclosed replacement/return form and fax to Forevermark Cabinetry at (732) 372-7669, or send via email to claims@tsgcabinets.com.

CABINET CONSTRUCTION

Forevermark Cabinetry is constructed from several pieces of solid wood and wood veneers on plywood. Differences in grain pattern and color should be expected. Color differences in wood are the result of variations in minerals found in the soil native to the tree's origin. Absorption of these minerals will vary by tree or parts of said tree. In addition, color changes can be experienced due to different exposure to light. All species of wood will display characteristics such as knots, pinholes, sap runs, mineral streaks, and darkening will age. It is the natural beauty of wood to exhibit these characteristics and they will be present throughout your cabinetry.

CABINET CARE

Kitchen cabinets should be dusted or cleaned periodically like any wood furniture. Cabinets should be cleaned with a damp cloth and no cleaning materials. Cabinets should be dried immediately. Clean spills and splatters immediately; exposure to spills food or liquids may discolor your cabinet finish. Never wipe your cabinetry with a used dishcloth as it can contain traces of grease or detergents.



WARRANTY

Forevermark Cabinetry has a two to five year limited warranty on cabinetry parts and hardware, guaranteeing your cabinetry to be free from material or workmanship related defects under normal use to the original owner. For more information, ask a representative for complete details.

LIMITED WARRANTY INFORMATION

The Shekia Group, LLC d/b/a TSG, LLC ("TSG") warrants its Forevermark Cabinetry products to be free of manufacturer defects that are avoidable, and unnatural defects in material and workmanship under normal use, for five (5) years from the date of purchase by the original consumer purchaser (except for cabinets with painted finishes, which are limited to a two (2) year warranty). This limited liability warranty applies to residential use only at the original site of installation only. This limited liability warranty is non-transferable.

This limited liability warranty does not cover or apply to any defect that is not caused by TSG. This warranty does not cover or apply to products that have been misused; mishandled; abused; improperly stored or installed; modified; or subject to excesses of moisture or extreme temperatures, abrasive or citrus cleaning products, neglect, transit damage, assembly, disassembly, intentional damage, accidents, negligence, on-site alterations, improper storage, defective installation or normal wear and tear. Any modification to the hardware structure or finish of the original consumer purchaser's cabinetry by anyone other than those specifically authorized by TSG to do so shall void this limited liability warranty. The product must be used exclusively for its intended purpose in order to be covered by this limited liability warranty. This limited liability warranty shall become void if the cabinets or any components or parts thereof are in any way modified, improperly installed or damaged prior to or during installation, or installed or used in other than normal residential applications.

This limited liability warranty does not include or cover the cost of installation, removal, subsequent damage or transportation of the allegedly defective product, regardless of whether work was performed by a contractor, a service company or the original consumer purchaser. This limited liability warranty does not apply to any products used in conjunction with the cabinetry, including but not limited to countertops, appliances or plumbing fixtures. Use of cabinetry or any components or parts thereof in any way contrary to any instructions furnished by TSG shall void this limited liability warranty.

TSG's obligation under this limited liability warranty shall be limited to the repair or replacement, at its sole discretion, of any cabinetry or any components or parts thereof that TSG deems proven defective under normal use and service within the warranty period. This limited liability warranty is limited to the repair or replacement of the allegedly defective cabinetry or components or parts thereof, and does not include or cover any other costs, including but not limited to any costs of service, labor, shipment, transportation, removal or installation related to the repair or replacement.

Forevermark Cabinetry cabinets are constructed from several pieces of solid wood and wood veneers on plywood. Differences in grain pattern and color should be expected. Wood characteristics that naturally occur, such as variations in color, grain, mineral streaks and knots, are not considered defects. Color variations and color softening in cabinets are a natural occurrence due to species, age, character of cabinets and exposure to UV light and sunlight. For these reasons, replacement cabinets may not match display samples and/or the existing cabinets in the original consumer purchaser's home. Such variations and changes are not considered defects. This limited liability warranty applies only to defects, and does not apply to the yellowing and aging of any wood product. Forevermark Cabinetry products are wood products, and extreme conditions (high/low humidity, temperature, etc.) will cause any wood product to respond adversely. Accordingly, this limited liability warranty does not apply to cabinetry exposed to extreme conditions. Please note that newly produced cabinets will never be the same color as aged cabinets. TSG reserves the right to inspect any alleged defects in the field to determine if the product should be repaired in the field or in the factory, or replaced, if at all.

Mitered door joints in particular are likely to react to conditions of their environment. Gaps that may develop in door joints due to conditions of their environment are not included or covered by this limited liability warranty. This limited liability warranty does not cover or apply to hairline cracks of cabinetry; hairline cracks are unavoidable in wood cabinets given the nature of the material. Every species and grade of solid wood behaves in such a way as to eventually result in hairline cracks. Painted finishes react differently than stained finish with normal wood movement, and climatic conditions may result in breaks in finish, recesses and joint and panel lines. These conditions are considered a normal occurrence and are not included or covered by this limited liability warranty. Cabinet doors that are warped must be allowed to hang through one seasonal heating cycle (i.e., through a full summer) before replacement will be considered by TSG under this limited liability warranty. Doors that are warped in either direction not exceeding one-quarter inch (1/4") do not exceed normal material expectation and are not included or covered by this limited liability warranty.

LIMITED WARRANTY INFORMATION (CONT.)

TSG periodically makes changes to its product line and specifications. If a warranty claim is presented for a discontinued or unavailable cabinet or component or part thereof, TSG will replace the cabinet or component or part thereof under warranty with a new cabinet or component or part thereof of the same style or with a similar or comparable style currently offered by TSG. Some replacement cabinets and components and parts thereof are subject to availability, and may differ from those originally supplied. TSG is not responsible for replacement product that may not exactly match installed product, and is not obligated to inform original consumer purchasers of the discontinuance of or changes to product lines and specifications or to make similar changes in all products previously manufactured. Material changes are not a valid reason for an original consumer purchaser to refuse replacement under this limited liability warranty.

Warranty claims cannot be made directly to TSG by the original consumer purchaser. To submit a warranty claim, the original consumer purchaser must contact the dealer or distributor from whom the Forevermark Cabinetry products were purchased and report the nature of the alleged defect. The dealer or distributor will obtain the information necessary to make a claim decision, and forward such information in writing to TSG for TSG's consideration of the claim. If the dealer or distributor is no longer functioning as a business entity, please submit your claim in writing, with proof of purchase, to:

TSG / Forevermark Cabinetry, 1130 King Georges Post Road, Edison, NJ 08837

If a manufacturing defect occurs within this limited liability warranty's terms and conditions and TSG determines to replace the defective cabinet or component or part thereof, TSG will ship the replacement cabinet or component or part thereof to the original consumer purchaser via ground shipper or freight carrier, at TSG's sole discretion.

Please do not send the allegedly defective cabinet or component or part thereof to TSG, unless and until expressly requested to do so by our claims department. Pictures of cabinets or components or parts thereof may be requested by TSG. Making a fraudulent claim may be a crime, and violators may be prosecuted.

This limited liability warranty and its enforcement, and any and all claims or disputes arising out of, relating to or in connection with this limited liability warranty or the making, performance or interpretation of this limited liability warranty, shall be (1) governed by and construed exclusively in accordance with the laws of the State of New Jersey, without regard to the conflicts of law or choice of law principles of the State of New Jersey or any other jurisdiction (including but not limited to U.S. federal law) that would require the application of the law of any other jurisdiction, and (2) brought only in the United States District Court for the District of New Jersey or the New Jersey Superior Court, Middlesex County.

THIS WRITING IS THE COMPLETE AND EXCLUSIVE REMEDY FOR ANY ORIGINAL CONSUMER PURCHASER FOR BREACH OF WARRANTY. THE STATEMENT OF THE EXPRESS WARRANTIES PROVIDED HEREIN IS IN LIEU OF ANY AND ALL OTHER EXPRESS AND/OR STATUTORY WARRANTIES, TO THE EXTENT PROVIDED BY LAW. IN NO EVENT SHALL TSG BE LIABLE FOR INCIDENTAL OR CONSEQUENTIAL DAMAGES TO ANY ORIGINAL CONSUMER PURCHASER OR A THIRD PARTY, INCLUDING BUT NOT LIMITED TO DAMAGES ARISING FROM PERSONAL INJURY, LOST PROFITS, LOSS OF BUSINESS OPPORTUNITIES, LOSS OF PROPERTY, ECONOMIC LOSS, STATUTORY OR EXEMPLARY DAMAGES, WHETHER FROM NEGLIGENCE, WARRANTY, STRICT LIABILITY OR OTHERWISE. ANY AND ALL IMPLIED WARRANTIES OF MERCHANTABILITY, FITNESS FOR A PARTICULAR PURPOSE, COURSE OF DEALING AND USAGE OF TRADE, AND ANY AND ALL OTHER WARRANTIES, EXPRESS OR IMPLIED, ARE EXCLUDED AND DISCLAIMED, EXCEPTING ONLY THOSE EXPRESS WARRANTIES SPECIFICALLY SET FORTH IN THIS LIMITED LIABILITY WARRANTY. IN NO EVENT SHALL TSG BE LIABLE FOR ANY INDIRECT DAMAGES RESULTING FROM INSTALLATION, USE OR FAILURE OF ITS PRODUCTS. THIS LIMITED LIABILITY WARRANTY IS TSG'S SOLE WARRANTY, AND NO DEALER, DISTRIBUTOR OR AGENT POSSESSES ANY AUTHORITY WHATSOEVER TO MODIFY OR ENLARGE THIS WARRANTY IN ANY WAY.



1130 King Georges Post Road
Edison, NJ 08837

tsgcabinets.com

ORDER FORM (GOLD)

For orders: Orders@tsgcabinets.com
 For claims: Claims@tsgcabinets.com
 For billing: Billing@tsgcabinets.com
 For shipping: Shipping@tsgcabinets.com
 Fax Orders: (732) 372-7669

Customer* _____

Ship To* _____

Date* _____ PO# _____ Display Order

Pick up Delivery Arrange own shipping via CARRIER Arrange own shipping via GROUND Residential

PLEASE CHECK BOX TO SELECT STYLE:

- VISTA WHITE SHAKER (VW) PETIT WHITE (PW) PETIT BLUE (PD) PETIT SAND (PS)
 PETIT BROWN (PR) PEPPER SHAKER (AP) ICE WHITE SHAKER (AW)

- Standard Features on all styles:
- Dovetail drawer box
 - Undermount full extension drawer glide
 - Soft close drawer glide
 - Soft close door hinge
 - Metal shelf clips

Assembled

K/D RTA (FLATPACK)

QTY	
	W1212
	W1212GD
	W1512
	W1512GD
	W1812
	W1812GD
	W2112
	W2112GD
	W2412B
	W2412BGD
	W2712B
	W2712BGD
	W0930
	W1230
	W1530
	W1530GD
	W1830
	W1830GD
	W2130
	W2430B
	W2430BGD(2pcs)
	W2730B
	W3030B
	W3030BGD
	W3330B
	W3630B
	W3630BGD
	W0936
	W1236
	W1536
	W1536GD
	W1836
	W1836GD
	W2136
	W2436B
	W2436BGD
	W2736B
	W3036B
	W3036BGD
	W3336B
	W3636B
	W3636BGD

QTY	
	W0942
	W1242
	W1542
	W1542GD
	W1842
	W1842GD
	W2142
	W2442B
	W2442BGD(2pcs)
	W2742B
	W3042B
	W3042BGD
	W3342B
	W3642B
	W3642BGD
	WSQ2430
	WSQ2436
	WSQ2442
	W2D1848
	W2D1854
	W2D1860

Specify door Right or Left when ordering (not blind)

	WBLC30/33-3030L/R Door Right
	WBLC30/33-3030L/R Door Left
	WBLC30/33-3036L/R Door Right
	WBLC30/33-3036L/R Door Left
	WBLC30/33-3042L/R Door Right
	WBLC30/33-3042L/R Door Left

	FB09 (Full Height)
	FB12
	FB15
	FB18
	FB24B
	FB30B

QTY	
	W3012B
	W3012BGD
	W3312B
	W3312BGD
	W3612B
	W3612BGD
	W2415B
	W3015B
	W3315B
	W3615B
	W2418B
	W3018B
	W3318B
	W3618B
	W2424B
	W3024B
	W3324B
	W3624B
	W301224B
	W301524B
	W301824B
	W302424B
	W331524B
	W331824B
	W332424B
	W361224B
	W361524B
	W361824B
	W362424B
	W3018WR
	MWO3018PM-12
	TCR21-2
	WC630
	WC636
	WC642
	WES530
	WES536
	WES542

QTY	
	WDC2412
	WDC2412GD
	WDC2430
	WDC2430GD
	WDC2436
	WDC2436GD
	WDC2442
	WDC2442GD
	WDC273615
	WDC273615GD
	WDC274215
	WDC274215GD
	AW30 (with door)
	AW36 (with door)
	AW42 (with door)
	AWH36
	CWH36
	EW36
	WP1584
	WP1590
	WP1596
	WP1884
	WP1890
	WP1896
	WP2484B
	WP2490B
	WP2496B
	WP3084
	WP3090
	WP3096
	OC3384B
	OC3390B
	OC3396B
	OM3384B
	OM3390B
	OM3396B

Glass doors sold separately

*Required fields

TSG LLC and Forevermark Cabinetry LLC reserve the right to change specifications, pricing, and policies at any time without notice. Actual quotes, invoices, and purchase orders supersede catalog pricing. The provisions of this catalog do not constitute a contract, express or implied, between TSG LLC, Forevermark Cabinetry LLC, and any purchaser.

ORDER FORM (GOLD CONT.)

For orders: Orders@tsgcabinets.com
 For claims: Claims@tsgcabinets.com
 For billing: Billing@tsgcabinets.com
 For shipping: Shipping@tsgcabinets.com
 Fax Orders: (732) 372-7669

Customer* _____ Date* _____

Ship To* _____ PO# _____

PLEASE CHECK BOX TO SELECT STYLE:

- VISTA WHITE SHAKER (VW)
 PETIT WHITE (PW)
 PETIT BLUE (PD)
 PETIT SAND (PS)
 PETIT BROWN (PR)
 PEPPER SHAKER (AP)
 ICE WHITE SHAKER (AW)

QTY		QTY		QTY		QTY	
<input type="checkbox"/>	B09	<input type="checkbox"/>	WF3-3/4	<input type="checkbox"/>	TP3/WF34-1/2	<input type="checkbox"/>	VAS48
<input type="checkbox"/>	FB09	<input type="checkbox"/>	WF336-3/4	<input type="checkbox"/>	Leg 75	<input type="checkbox"/>	VAL48B
<input type="checkbox"/>	B12	<input type="checkbox"/>	WF342-3/4	<input type="checkbox"/>	Leg 81	<input type="checkbox"/>	VAL54B
<input type="checkbox"/>	B15	<input type="checkbox"/>	WF384-3/4	<input type="checkbox"/>	Leg 82	<input type="checkbox"/>	VAL48S
<input type="checkbox"/>	B18	<input type="checkbox"/>	WF396-3/4	<input type="checkbox"/>	Leg 83	<input type="checkbox"/>	VAL54S
<input type="checkbox"/>	B21	<input type="checkbox"/>	WF6-3/4	<input type="checkbox"/>	SC1-3	<input type="checkbox"/>	VAD3612
<input type="checkbox"/>	B24B	<input type="checkbox"/>	WF642-3/4	<input type="checkbox"/>	SC4	<input type="checkbox"/>	VAD4212
<input type="checkbox"/>	B27B	<input type="checkbox"/>	WF696-3/4	<input type="checkbox"/>	SC5	<input type="checkbox"/>	VAD4812
<input type="checkbox"/>	B30B	<input type="checkbox"/>	BF3-3/4	<input type="checkbox"/>	SC6	<input type="checkbox"/>	DWR33412
<input type="checkbox"/>	B33B	<input type="checkbox"/>	BF6-3/4	<input type="checkbox"/>	SC8	<input type="checkbox"/>	FBP483614(1)
<input type="checkbox"/>	B36B	<input type="checkbox"/>	A30WF	<input type="checkbox"/>	BM4-1/2-5/8-96	<input type="checkbox"/>	FBP369614(1)
<input type="checkbox"/>	SB24B	<input type="checkbox"/>	A36WF	<input type="checkbox"/>	CM96	<input type="checkbox"/>	FBP489614(1)
<input type="checkbox"/>	SB27B	<input type="checkbox"/>	A42WF	<input type="checkbox"/>	CM96-4	<input type="checkbox"/>	BP48341214
<input type="checkbox"/>	SB30B	<input type="checkbox"/>	A3BF	<input type="checkbox"/>	CM96C-4	<input type="checkbox"/>	S2421B-34-1/2"
<input type="checkbox"/>	SB33B	<input type="checkbox"/>	A6BF	<input type="checkbox"/>	CM96E-4	<input type="checkbox"/>	S3021B-34-1/2"
<input type="checkbox"/>	SB36B	<input type="checkbox"/>		<input type="checkbox"/>	CM96H-4	<input type="checkbox"/>	S3621B-34-1/2"
<input type="checkbox"/>	SB42	<input type="checkbox"/>	CLB334-1/2	<input type="checkbox"/>	CM96K-4	<input type="checkbox"/>	S3021DL-34-1/2"
<input type="checkbox"/>	FSB30B	<input type="checkbox"/>	CLW330	<input type="checkbox"/>	DOA	<input type="checkbox"/>	S3021DR-34-1/2"
<input type="checkbox"/>	FSB33B	<input type="checkbox"/>	CLW336	<input type="checkbox"/>	Corbel 56	<input type="checkbox"/>	S3621BDL-34-1/2"
<input type="checkbox"/>	FSB36B	<input type="checkbox"/>	CLW336	<input type="checkbox"/>	Corbel 57	<input type="checkbox"/>	S3621BDR-34-1/2"
<input type="checkbox"/>	DB12(3)	<input type="checkbox"/>	CLW342	<input type="checkbox"/>	Corbel 58	<input type="checkbox"/>	S4821B12D-34-1/2"
<input type="checkbox"/>	DB15(3)	<input type="checkbox"/>	CLW396	<input type="checkbox"/>	Corbel 59	<input type="checkbox"/>	SVB1221-34-1/2"
<input type="checkbox"/>	DB18(3)	<input type="checkbox"/>	OLF330	<input type="checkbox"/>	Corbel 60S	<input type="checkbox"/>	SVB1521-34-1/2"
<input type="checkbox"/>	DB21(3)	<input type="checkbox"/>	OLF336	<input type="checkbox"/>	Corbel 75S	<input type="checkbox"/>	SVDU3021-7"
<input type="checkbox"/>	DB24(3)	<input type="checkbox"/>	OLF342	<input type="checkbox"/>	Corbel 75M	<input type="checkbox"/>	FLS24-Brown
<input type="checkbox"/>	DB30(3)	<input type="checkbox"/>	OLF384	<input type="checkbox"/>	Corbel 75L	<input type="checkbox"/>	FLS30-Brown
<input type="checkbox"/>	DB36(3)	<input type="checkbox"/>	OLF390	<input type="checkbox"/>	EPB24D	<input type="checkbox"/>	FLS36-Brown
<input type="checkbox"/>	2DB15	<input type="checkbox"/>	OLF396	<input type="checkbox"/>	EPW1212D	<input type="checkbox"/>	FLS42-Brown
<input type="checkbox"/>	2DB18	<input type="checkbox"/>	OLF630	<input type="checkbox"/>	EPW1230D	<input type="checkbox"/>	FLS24-White
<input type="checkbox"/>	2DB24	<input type="checkbox"/>	OLF636	<input type="checkbox"/>	EPW1236D	<input type="checkbox"/>	FLS30-White
<input type="checkbox"/>	2DB30	<input type="checkbox"/>	OLF642	<input type="checkbox"/>	EPW1242D	<input type="checkbox"/>	FLS36-White
<input type="checkbox"/>	2DB36	<input type="checkbox"/>	POLE75-B3	<input type="checkbox"/>	EPWP2484D	<input type="checkbox"/>	FLS42-White
<input type="checkbox"/>	AB24	<input type="checkbox"/>	POLE75-W330	<input type="checkbox"/>	EPWP2490D		
		<input type="checkbox"/>	POLE75-W336	<input type="checkbox"/>	EPWP2496D		
		<input type="checkbox"/>	POLE75-W342	<input type="checkbox"/>	REP2484-3/4		
		<input type="checkbox"/>	POLE75-T384	<input type="checkbox"/>	REP2496-3/4		
		<input type="checkbox"/>	POLE75-T390	<input type="checkbox"/>	REP2484(3)-3/4		
		<input type="checkbox"/>	POLE75-T396	<input type="checkbox"/>	REP2496(3)-3/4		
		<input type="checkbox"/>	LRM8	<input type="checkbox"/>	REP3096(3)-3/4		
		<input type="checkbox"/>	TLRM8 (2-1/2")	<input type="checkbox"/>	15RT-DR†		
		<input type="checkbox"/>	SLRM8	<input type="checkbox"/>	18RT-DR†		
		<input type="checkbox"/>	TK8	<input type="checkbox"/>	21RT-DR†		
				<input type="checkbox"/>	24RT-DR†		
				<input type="checkbox"/>	27RT-DR†		
				<input type="checkbox"/>	30RT-DR†		
				<input type="checkbox"/>	33RT-DR†		
				<input type="checkbox"/>	36RT-DR†		

Specify door Right or Left when ordering (not blind)

- BBLC39/42-36" Door Left
- BBLC39/42-36" Door Right
- BBLC42/45-39" Door Left
- BBLC42/45-39" Door Right
- BBLC45/48-42" Door Left
- BBLC45/48-42" Door Right
- LS3309
- LS3612
- LS3612S
- BDCF36
- BDCF36K-FL
- BTC12 L
- BTC12 R
- B30MW

Soft Close Track only

- S50-9
- S50-15
- S50-18
- S50-21
- S50-24
- SB Mini Door Sample
- SMD3015
- Molding Swatch
- Logo Sample Bag
- Repair Kit
- Stain/Spray Paint
- Soft Close Hinge

†With Dovetail drawer box + Soft Close glide.
 Specify which cabinet for installation.

ORDER FORM (PLATINUM)

For orders: Orders@tsgcabinets.com
 For claims: Claims@tsgcabinets.com
 For billing: Billing@tsgcabinets.com
 For shipping: Shipping@tsgcabinets.com
 Fax Orders: (732) 372-7669

Customer* _____

Ship To* _____

Date* _____ PO# _____ Display Order

Pick up Delivery Arrange own shipping via CARRIER Arrange own shipping via GROUND Residential

PLEASE CHECK BOX TO SELECT STYLE:

- GRAMERCY WHITE (GW)**
 SIGNATURE PEARL (SL)
 LAIT GREY (AB)
 GREYSTONE SHAKER (AG)
 WOODLAND BROWN SHAKER (AR)
 XTERRA BLUE (AX)
 UPTOWN WHITE (TW)
 TOWNSQUARE GREY (TS)

- Standard Features on all styles:
- Dovetail drawer box
 - Undermount full extension drawer glide
 - Soft close drawer glide
 - Soft close door hinge
 - Metal shelf clips

Assembled

K/D RTA (FLATPACK)

QTY	
	W0930
	W1230
	W1530
	W1530GD
	W1530MGD
	W1830
	W1830GD
	W1830MGD
	W2130
	W2430B
	W2430BGD(2pcs)
	W2430BMGD
	W2730B
	W3030B
	W3030BGD
	W3030BMGD(2pcs)
	W3330B
	W3630B
	W3630BMGD
	W3630MGD
	W0936
	W1236
	W1536
	W1536GD
	W1536MGD
	W1836
	W1836GD
	W1836MGD
	W2136
	W2436B
	W2436BGD
	W2436BMGD
	W2736B
	W3036B
	W3036BGD
	W3036BMGD
	W3336B
	W3636B
	W3636BGD
	W3636BMGD
	W3642BMGD

QTY	
	W0942
	W1242
	W1542
	W1542GD
	W1542MGD
	W1842
	W1842GD
	W1842MGD
	W2142
	W2442B
	W2442BGD(2pcs)
	W2442BMGD
	W2742B
	W3042B
	W3042BGD
	W3042BMGD
	W3342B
	W3642B
	W3642BGD
	W3642BMGD
	WSQ2430
	WSQ2436
	WSQ2442
	W2D1848
	W2D1854
	W2D1860

Specify door Right or Left when ordering (not blind)

	WBLC30/33-3030L/R Door Right
	WBLC30/33-3030L/R Door Left
	WBLC30/33-3036L/R Door Right
	WBLC30/33-3036L/R Door Left
	WBLC30/33-3042L/R Door Right
	WBLC30/33-3042L/R Door Left
	W1212
	W1512
	W1812
	W2112
	W2412B
	W2712B
	W1212GD
	W1512GD
	W1812GD
	W2112GD
	W2412BGD
	W2712BGD
	WDC2412
	WDC2412GD

QTY	
	W3012B
	W3012BGD
	W3312B
	W3612B
	W2415B
	W3015B
	W3312BGD
	W3315B
	W3612BGD
	W3615B
	W2418B
	W3018B
	W3318B
	W3618B
	W2424B
	W3024B
	W3324B
	W3624B
	W301224B
	W301524B
	W301824B
	W302424B
	W331524B
	W331824B
	W332424B
	W361224B
	W361524B
	W361824B
	W362424B

	W3018WR
	MWO3018PM-12
	TCR21-2
	WC630
	WC636
	WC642

	FB09 (Full Height)
	FB12
	FB15
	FB18
	FB24B
	FB30B

QTY	
	WDC2412
	WDC2412GD
	WDC2430
	WDC2430GD
	WDC2430MGD
	WDC2436
	WDC2436GD
	WDC2436MGD
	WDC2442
	WDC2442GD
	WDC2442MGD
	WDC273615
	WDC273615GD
	WDC273615MGD
	WDC274215
	WDC274215GD
	WDC274215MGD
	AW30 (with door)
	AW36 (with door)
	AW42 (with door)
	AWH36
	CWH36
	EW36
	WP1584
	WP1590
	WP1596
	WP1884
	WP1890
	WP1896
	WP2484B
	WP2490B
	WP2496B
	WP3084
	WP3090
	WP3096
	OC3384B
	OC3390B
	OC3396B
	OM3384B
	OM3390B
	OM3396B
	WES530
	WES536
	WES542

Glass doors sold separately
 *Required fields

ORDER FORM (PLATINUM CONT.)

For orders: Orders@tsgcabinets.com
 For claims: Claims@tsgcabinets.com
 For billing: Billing@tsgcabinets.com
 For shipping: Shipping@tsgcabinets.com
 Fax Orders: (732) 372-7669

Customer* _____ Date* _____

Ship To* _____ PO# _____

PLEASE CHECK BOX TO SELECT STYLE:

- GRAMERCY WHITE (GW)**
 SIGNATURE PEARL (SL)
 LAIT GREY (AB)
 GREYSTONE SHAKER (AG)
 WOODLAND BROWN SHAKER (AR)
 XTERRA BLUE (AX)
 UPTOWN WHITE (TW)
 TOWNSQUARE GREY (TS)

QTY		QTY		QTY		QTY	
<input type="checkbox"/>	B09	<input type="checkbox"/>	WF3-3/4	<input type="checkbox"/>	TP3/WF34-1/2	<input type="checkbox"/>	VAS48
<input type="checkbox"/>	BFP09 (spice rack)	<input type="checkbox"/>	WF336-3/4	<input type="checkbox"/>	Leg 28	<input type="checkbox"/>	VAL48B
<input type="checkbox"/>	B12	<input type="checkbox"/>	WF342-3/4	<input type="checkbox"/>	Leg 75	<input type="checkbox"/>	VAL54B
<input type="checkbox"/>	B15	<input type="checkbox"/>	WF384-3/4	<input type="checkbox"/>	Leg 81	<input type="checkbox"/>	VAL48S
<input type="checkbox"/>	B18	<input type="checkbox"/>	WF396-3/4	<input type="checkbox"/>	Leg 83	<input type="checkbox"/>	VAL54S
<input type="checkbox"/>	B21	<input type="checkbox"/>	WF6-3/4	<input type="checkbox"/>	SC1-3	<input type="checkbox"/>	VAD3612
<input type="checkbox"/>	B24B	<input type="checkbox"/>	WF642-3/4	<input type="checkbox"/>	SC4	<input type="checkbox"/>	VAD4212
<input type="checkbox"/>	B27B	<input type="checkbox"/>	WF696-3/4	<input type="checkbox"/>	SC5	<input type="checkbox"/>	VAD4812
<input type="checkbox"/>	B30B	<input type="checkbox"/>	BF3-3/4	<input type="checkbox"/>	SC6	<input type="checkbox"/>	DWR33412
<input type="checkbox"/>	B33B	<input type="checkbox"/>	BF6-3/4	<input type="checkbox"/>	SC8	<input type="checkbox"/>	FBP483614(1)
<input type="checkbox"/>	B36B	<input type="checkbox"/>	A30WF	<input type="checkbox"/>	BM4-1/2-5/8-96	<input type="checkbox"/>	FBP369614(1)
<input type="checkbox"/>	SB24B	<input type="checkbox"/>	A36WF	<input type="checkbox"/>	CM96	<input type="checkbox"/>	FBP489614(1)
<input type="checkbox"/>	SB27B	<input type="checkbox"/>	A42WF	<input type="checkbox"/>	CM96-4	<input type="checkbox"/>	BP48341214
<input type="checkbox"/>	SB30B	<input type="checkbox"/>	A3BF	<input type="checkbox"/>	CM96B-4	<input type="checkbox"/>	S2421B-34-1/2"
<input type="checkbox"/>	SB30B-ND-SP	<input type="checkbox"/>	A6BF	<input type="checkbox"/>	CM96C-4	<input type="checkbox"/>	S3021B-34-1/2"
<input type="checkbox"/>	SB33B	<input type="checkbox"/>	CLB334-1/2	<input type="checkbox"/>	CM96E-4	<input type="checkbox"/>	S3621B-34-1/2"
<input type="checkbox"/>	SB33B-ND-SP	<input type="checkbox"/>	CLW330	<input type="checkbox"/>	CM96H-4	<input type="checkbox"/>	S3021DL-34-1/2"
<input type="checkbox"/>	SB36B	<input type="checkbox"/>	CLW336	<input type="checkbox"/>	CM96K-4	<input type="checkbox"/>	S3021DR-34-1/2"
<input type="checkbox"/>	SB36B-ND-SP	<input type="checkbox"/>	CLW342	<input type="checkbox"/>	DOA	<input type="checkbox"/>	S3621BDL-34-1/2"
<input type="checkbox"/>	SB42	<input type="checkbox"/>	CLW396	<input type="checkbox"/>	Corbel 56	<input type="checkbox"/>	S3621BDR-34-1/2"
<input type="checkbox"/>	FSB30B	<input type="checkbox"/>	OLF330	<input type="checkbox"/>	Corbel 57	<input type="checkbox"/>	S4821B12D-34-1/2"
<input type="checkbox"/>	FSB33B	<input type="checkbox"/>	OLF336	<input type="checkbox"/>	Corbel 59	<input type="checkbox"/>	SVB1221-34-1/2"
<input type="checkbox"/>	FSB36B	<input type="checkbox"/>	OLF342	<input type="checkbox"/>	Corbel 60S	<input type="checkbox"/>	SVB1521-34-1/2"
<input type="checkbox"/>	DB12(3)	<input type="checkbox"/>	OLF384	<input type="checkbox"/>	Corbel 60L	<input type="checkbox"/>	SVDU3021-7"
<input type="checkbox"/>	DB15(3)	<input type="checkbox"/>	OLF390	<input type="checkbox"/>	Corbel 75S	<input type="checkbox"/>	FLS24-Brown
<input type="checkbox"/>	DB18(3)	<input type="checkbox"/>	OLF396	<input type="checkbox"/>	Corbel 75M	<input type="checkbox"/>	FLS30-Brown
<input type="checkbox"/>	DB21(3)	<input type="checkbox"/>	OLF630	<input type="checkbox"/>	Corbel 75L	<input type="checkbox"/>	FLS36-Brown
<input type="checkbox"/>	DB24(3)	<input type="checkbox"/>	POLE28-B3	<input type="checkbox"/>	EPB24D	<input type="checkbox"/>	FLS42-Brown
<input type="checkbox"/>	DB30(3)	<input type="checkbox"/>	POLE28-W330	<input type="checkbox"/>	EPW1212D	<input type="checkbox"/>	FLS24-White
<input type="checkbox"/>	DB36(3)	<input type="checkbox"/>	POLE28-W336	<input type="checkbox"/>	EPW1230D	<input type="checkbox"/>	FLS30-White
<input type="checkbox"/>	2DB15	<input type="checkbox"/>	POLE28-W342	<input type="checkbox"/>	EPW1236D	<input type="checkbox"/>	FLS36-White
<input type="checkbox"/>	2DB18	<input type="checkbox"/>	POLE28-T384	<input type="checkbox"/>	EPW1242D	<input type="checkbox"/>	FLS42-White
<input type="checkbox"/>	2DB24	<input type="checkbox"/>	POLE28-T390	<input type="checkbox"/>	EPWP2484D	<input type="checkbox"/>	Soft Close Track only
<input type="checkbox"/>	2DB30	<input type="checkbox"/>	POLE28-T396	<input type="checkbox"/>	EPWP2490D	<input type="checkbox"/>	S50-9
<input type="checkbox"/>	2DB36	<input type="checkbox"/>	POLE75-B3	<input type="checkbox"/>	EPWP2496D	<input type="checkbox"/>	S50-15
<input type="checkbox"/>	AB24	<input type="checkbox"/>	POLE75-W330	<input type="checkbox"/>	REP2484-3/4	<input type="checkbox"/>	S50-18
<input type="checkbox"/>		<input type="checkbox"/>	POLE75-W336	<input type="checkbox"/>	REP2496-3/4	<input type="checkbox"/>	S50-21
<input type="checkbox"/>		<input type="checkbox"/>	POLE75-W342	<input type="checkbox"/>	REP2484(3)-3/4	<input type="checkbox"/>	S50-24
<input type="checkbox"/>		<input type="checkbox"/>	POLE75-W342	<input type="checkbox"/>	REP2496(3)-3/4	<input type="checkbox"/>	SB Mini Door Sample
<input type="checkbox"/>		<input type="checkbox"/>	POLE75-T384	<input type="checkbox"/>	REP3096(3)-3/4	<input type="checkbox"/>	SMD3015
<input type="checkbox"/>		<input type="checkbox"/>	POLE75-T390	<input type="checkbox"/>	15RT-DR†	<input type="checkbox"/>	Molding Swatch
<input type="checkbox"/>		<input type="checkbox"/>	POLE75-T396	<input type="checkbox"/>	18RT-DR†	<input type="checkbox"/>	Logo Sample Bag
<input type="checkbox"/>		<input type="checkbox"/>	LRM8	<input type="checkbox"/>	21RT-DR†	<input type="checkbox"/>	Repair Kit
<input type="checkbox"/>		<input type="checkbox"/>	TLRM8 (2-1/2")	<input type="checkbox"/>	24RT-DR†	<input type="checkbox"/>	Stain/Spray Paint
<input type="checkbox"/>		<input type="checkbox"/>	SLRM8	<input type="checkbox"/>	27RT-DR†	<input type="checkbox"/>	Soft Close Hinge
<input type="checkbox"/>		<input type="checkbox"/>	TK8	<input type="checkbox"/>	30RT-DR†		
<input type="checkbox"/>				<input type="checkbox"/>	33RT-DR†		
<input type="checkbox"/>				<input type="checkbox"/>	36RT-DR†		

Specify door Right or Left when ordering (not blind)

<input type="checkbox"/>	BBLC39/42-36" Door Left
<input type="checkbox"/>	BBLC39/42-36" Door Right
<input type="checkbox"/>	BBLC42/45-39" Door Left
<input type="checkbox"/>	BBLC42/45-39" Door Right
<input type="checkbox"/>	BBLC45/48-42" Door Left
<input type="checkbox"/>	BBLC45/48-42" Door Right
<input type="checkbox"/>	LS3309
<input type="checkbox"/>	LS3612
<input type="checkbox"/>	LS3612S
<input type="checkbox"/>	BDCF36
<input type="checkbox"/>	BDCF36K-FL
<input type="checkbox"/>	BTC12 L
<input type="checkbox"/>	BTC12 R
<input type="checkbox"/>	B30MW

ORDER FORM (TITANIUM)

For orders: Orders@tsgcabinets.com
 For claims: Claims@tsgcabinets.com
 For billing: Billing@tsgcabinets.com
 For shipping: Shipping@tsgcabinets.com
 Fax Orders: (732) 372-7669

Customer* _____

Ship To* _____

Date* _____ PO# _____ Display Order

Pick up Delivery Arrange own shipping via CARRIER Arrange own shipping via GROUND Residential

PLEASE CHECK BOX TO SELECT STYLE:

NOVA LIGHT GREY (AN)

Standard Features on all styles:

- Dovetail drawer box
- Undermount full extension drawer glide

TOWNPLACE CREMA (TQ)

- Soft close drawer glide
- Soft close door hinge
- Metal shelf clips

MIDTOWN GREY (TG)

- Base cabinets* 1/2"
- FULL back panel

Assembled

K/D RTA (FLATPACK)

QTY	
	W0930
	W1230
	W1530
	W1530GD
	W1530MGD
	W1830
	W1830GD
	W1830MGD
	W2130
	W2430B
	W2430BMGD
	W2430MGD
	W2730B
	W3030B
	W3030BGD
	W3030BMGD(2pcs)
	W3330B
	W3630B
	W3630BGD
	W3630BMGD
	W0936
	W1236
	W1536
	W1536GD
	W1536MGD
	W1836
	W1836GD
	W1836MGD
	W2136
	W2436B
	W2436BGD
	W2436BMGD
	W2736B
	W3030BMGD
	W3036B
	W3036BGD
	W3336B
	W3636B
	W3636BGD
	W3636BMGD
	W3642BGD
	W3642BMGD

QTY	
	W0942
	W1242
	W1542
	W1542GD
	W1542MGD
	W1842
	W1842GD
	W1842MGD
	W2142
	W2442B
	W2442BGD(2pcs)
	W2442BMGD
	W2742B
	W3042B
	W3042BGD
	W3042BMGD
	W3342B
	W3642B
	W3642BGD
	W3642BMGD
	WSQ2430
	WSQ2436
	WSQ2442
	W2D1848
	W2D1854
	W2D1860

Specify door Right or Left when ordering (not blind)

	WBLC30/33-3030L/R Door Right
	WBLC30/33-3030L/R Door Left
	WBLC30/33-3036L/R Door Right
	WBLC30/33-3036L/R Door Left
	WBLC30/33-3042L/R Door Right
	WBLC30/33-3042L/R Door Left
	FB09 (Full Height)

QTY	
	W3012B
	W3012BGD
	W3312B
	W3612B
	W2415B
	W3015B
	W3315B
	W3615B
	W2418B
	W3018B
	W3318B
	W3618B
	W2424B
	W3024B
	W3324B
	W3624B
	W301224B
	W301524B
	W301824B
	W302424B
	W331524B
	W331824B
	W332424B
	W361224B
	W361524B
	W361824B
	W362424B
	W3018WR
	MWO3018PM-12
	TCR21-2
	WC630
	WC636
	WC642-12
	WES530
	WES536
	WES542

QTY	
	WDC2430
	WDC2430GD
	WDC2430MGD
	WDC2436
	WDC2436GD
	WDC2436MGD
	WDC2442
	WDC2442GD
	WDC2442MGD
	WDC273615
	WDC273615GD
	WDC273615MGD
	WDC274215
	WDC274215GD
	WDC274215MGD
	AW30 (with door)
	AW36 (with door)
	AW42 (with door)
	AWH36
	CWH36
	EW36
	WP1584
	WP1590
	WP1596
	WP1884
	WP1890
	WP1896
	WP2484B
	WP2490B
	WP2496B
	OC3384B
	OC3390B
	OC3396B
	OM3384B
	OM3390B
	OM3396B

Glass doors sold separately

*Required fields

TSG LLC and Forevermark Cabinetry LLC reserve the right to change specifications, pricing, and policies at any time without notice. Actual quotes, invoices, and purchase orders supersede catalog pricing. The provisions of this catalog do not constitute a contract, express or implied, between TSG LLC, Forevermark Cabinetry LLC, and any purchaser.

ORDER FORM (TITANIUM CONT.)

For orders: Orders@tsgcabinets.com
 For claims: Claims@tsgcabinets.com
 For billing: Billing@tsgcabinets.com
 For shipping: Shipping@tsgcabinets.com
 Fax Orders: (732) 372-7669

Customer* _____ Date* _____

Ship To* _____ PO# _____

PLEASE CHECK BOX TO SELECT STYLE:

NOVA LIGHT GREY (AN)

TOWNPLACE CREMA (TQ)

MIDTOWN GREY (TG)

QTY	
<input type="checkbox"/>	B09
<input type="checkbox"/>	BFP09 (spice rack)
<input type="checkbox"/>	B12
<input type="checkbox"/>	B15
<input type="checkbox"/>	B18
<input type="checkbox"/>	B21
<input type="checkbox"/>	B24B
<input type="checkbox"/>	B27B
<input type="checkbox"/>	B30B
<input type="checkbox"/>	B33B
<input type="checkbox"/>	B36B
<input type="checkbox"/>	SB24B
<input type="checkbox"/>	SB27B
<input type="checkbox"/>	SB30B
<input type="checkbox"/>	SB33B
<input type="checkbox"/>	SB36B
<input type="checkbox"/>	SB42
<input type="checkbox"/>	FSB30B
<input type="checkbox"/>	FSB33B
<input type="checkbox"/>	FSB36B
<input type="checkbox"/>	DB12(3)
<input type="checkbox"/>	DB15(3)
<input type="checkbox"/>	DB18(3)
<input type="checkbox"/>	DB21(3)
<input type="checkbox"/>	DB24(3)
<input type="checkbox"/>	DB30(3)
<input type="checkbox"/>	DB36(3)
<input type="checkbox"/>	2DB30
<input type="checkbox"/>	2DB36
<input type="checkbox"/>	AB24

Specify door Right or Left when ordering (not blind)

<input type="checkbox"/>	BBLC39/42-36" Door Left
<input type="checkbox"/>	BBLC39/42-36" Door Right
<input type="checkbox"/>	BBLC42/45-39" Door Left
<input type="checkbox"/>	BBLC42/45-39" Door Right
<input type="checkbox"/>	BBLC45/48-42" Door Left
<input type="checkbox"/>	BBLC45/48-42" Door Right
<input type="checkbox"/>	LS3309
<input type="checkbox"/>	LS3612
<input type="checkbox"/>	LS3612S
<input type="checkbox"/>	BDCF36
<input type="checkbox"/>	BDCF36K-FL
<input type="checkbox"/>	BTC12 L
<input type="checkbox"/>	BTC12 R
<input type="checkbox"/>	B30MW

QTY	
<input type="checkbox"/>	WF3-3/4
<input type="checkbox"/>	WF336-3/4
<input type="checkbox"/>	WF342-3/4
<input type="checkbox"/>	WF384-3/4
<input type="checkbox"/>	WF396-3/4
<input type="checkbox"/>	WF6-3/4
<input type="checkbox"/>	WF642-3/4
<input type="checkbox"/>	WF696-3/4
<input type="checkbox"/>	BF3-3/4
<input type="checkbox"/>	BF6-3/4
<input type="checkbox"/>	A30WF
<input type="checkbox"/>	A36WF
<input type="checkbox"/>	A42WF
<input type="checkbox"/>	A3BF
<input type="checkbox"/>	A6BF
<input type="checkbox"/>	CLB334-1/2
<input type="checkbox"/>	CLW330
<input type="checkbox"/>	CLW336
<input type="checkbox"/>	CLW342
<input type="checkbox"/>	CLW396
<input type="checkbox"/>	OLF330
<input type="checkbox"/>	OLF336
<input type="checkbox"/>	OLF342
<input type="checkbox"/>	OLF384
<input type="checkbox"/>	OLF390
<input type="checkbox"/>	OLF396
<input type="checkbox"/>	OLF630
<input type="checkbox"/>	OLF636
<input type="checkbox"/>	OLF642

<input type="checkbox"/>	POLE28-B3
<input type="checkbox"/>	POLE28-W330
<input type="checkbox"/>	POLE28-W336
<input type="checkbox"/>	POLE28-W342
<input type="checkbox"/>	POLE75-B3
<input type="checkbox"/>	POLE75-W330
<input type="checkbox"/>	POLE75-W336
<input type="checkbox"/>	POLE75-W342
<input type="checkbox"/>	POLE75-T384
<input type="checkbox"/>	POLE75-T390
<input type="checkbox"/>	POLE75-T396

<input type="checkbox"/>	LRM8
<input type="checkbox"/>	TLRM8 (2-1/2")
<input type="checkbox"/>	SLRM8
<input type="checkbox"/>	TK8

QTY	
<input type="checkbox"/>	TP3/WF34-1/2
<input type="checkbox"/>	Leg 28
<input type="checkbox"/>	Leg 75
<input type="checkbox"/>	Leg 81
<input type="checkbox"/>	Leg 83
<input type="checkbox"/>	SC1-3
<input type="checkbox"/>	SC4
<input type="checkbox"/>	SC5
<input type="checkbox"/>	SC6
<input type="checkbox"/>	SC8
<input type="checkbox"/>	BM4-1/2-5/8-96
<input type="checkbox"/>	CM96
<input type="checkbox"/>	CM96-4
<input type="checkbox"/>	CM96H-4
<input type="checkbox"/>	CM96K-4

<input type="checkbox"/>	Corbel 56
<input type="checkbox"/>	Corbel 57
<input type="checkbox"/>	Corbel 59
<input type="checkbox"/>	Corbel 60S
<input type="checkbox"/>	Corbel 75S
<input type="checkbox"/>	Corbel 75M
<input type="checkbox"/>	Corbel 75L
<input type="checkbox"/>	EPB24D
<input type="checkbox"/>	EPW1230D
<input type="checkbox"/>	EPW1236D
<input type="checkbox"/>	EPW1242D
<input type="checkbox"/>	EPWP2484D
<input type="checkbox"/>	EPWP2490D
<input type="checkbox"/>	EPWP2496D
<input type="checkbox"/>	REP2484-3/4
<input type="checkbox"/>	REP2496-3/4
<input type="checkbox"/>	REP2484(3)-3/4
<input type="checkbox"/>	REP2496(3)-3/4
<input type="checkbox"/>	REP3096(3)-3/4
<input type="checkbox"/>	15RT-DR†
<input type="checkbox"/>	18RT-DR†
<input type="checkbox"/>	21RT-DR†
<input type="checkbox"/>	24RT-DR†
<input type="checkbox"/>	27RT-DR†
<input type="checkbox"/>	30RT-DR†
<input type="checkbox"/>	33RT-DR†
<input type="checkbox"/>	36RT-DR†

QTY	
<input type="checkbox"/>	VAL48B
<input type="checkbox"/>	VAL54B
<input type="checkbox"/>	VAL48S
<input type="checkbox"/>	VAL54S
<input type="checkbox"/>	VAD3612
<input type="checkbox"/>	VAD4212
<input type="checkbox"/>	VAD4812
<input type="checkbox"/>	DWR33412
<input type="checkbox"/>	FBP483614(1)
<input type="checkbox"/>	FBP369614(1)
<input type="checkbox"/>	FBP489614(1)
<input type="checkbox"/>	BP48341214
<input type="checkbox"/>	S2421B-34-1/2"
<input type="checkbox"/>	S3021B-34-1/2"
<input type="checkbox"/>	S3621B-34-1/2"
<input type="checkbox"/>	S3021DL-34-1/2"
<input type="checkbox"/>	S3021DR-34-1/2"
<input type="checkbox"/>	S3621BDR-34-1/2"
<input type="checkbox"/>	S4821B12D-34-1/2"
<input type="checkbox"/>	SVB1221-34-1/2"
<input type="checkbox"/>	SVB1521-34-1/2"
<input type="checkbox"/>	SVDU3021-7"
<input type="checkbox"/>	FLS24-Brown
<input type="checkbox"/>	FLS30-Brown
<input type="checkbox"/>	FLS36-Brown
<input type="checkbox"/>	FLS42-Brown
<input type="checkbox"/>	FLS24-White
<input type="checkbox"/>	FLS30-White
<input type="checkbox"/>	FLS36-White
<input type="checkbox"/>	FLS42-White

Soft Close Track only

<input type="checkbox"/>	S50-9
<input type="checkbox"/>	S50-15
<input type="checkbox"/>	S50-18
<input type="checkbox"/>	S50-21
<input type="checkbox"/>	S50-24
<input type="checkbox"/>	SB Mini Door Sample
<input type="checkbox"/>	SMD3015
<input type="checkbox"/>	Molding Swatch
<input type="checkbox"/>	Logo Sample Bag
<input type="checkbox"/>	Repair Kit
<input type="checkbox"/>	Stain/Spray Paint
<input type="checkbox"/>	Soft Close Hinge

†With Dovetail drawer box + Soft Close glide.
 Specify which cabinet for installation.

RETURN/REPLACEMENT FORM

email: CLAIMS@tsgcabinets.com

fax: (732) 372-7669

Please fill out this form in full. All fields are required and will not be processed unless this form is filled out in its entirety.

Fax form to (732) 372-7669 or email to claims@tsgcabinets.com.

RETURN

REPLACEMENT

Company Name _____ Date _____

Phone Number _____ Email Address _____

Forevermark Cabinetry Invoice# (required) _____ Date of Shipment _____

If available, please provide PO# on cabinet box (K/D only) _____

Item(s)/Part(s) for return/replacement. Please specify SKU(s) and part (door, drawer header, glides, etc)

REASON FOR RETURN (required)

Wrong item or quantity ordered

Other (Please specify) _____

REASON FOR REPLACEMENT (required)

Ship replacement to _____

Return only

Please note that returns are only accepted K/D, in good condition, and in original packaging. Assembled cabinets are not accepted for return. Returns are accepted up to 60 days after shipment date. All returns are subject to inspection and a 25% restocking fee. Returns are accepted for credit only to dealer account. Dealer is responsible for return freight. Credit must be used within 6 months of issue. Damaged goods or items can be returned in accordance with our normal return policies (customers are responsible for return freight and restocking fees if applicable).

Replacement only

Please note that items damaged due to shipping and/or incorrect items can only be claimed up to 7 days after delivery date. Missing items must be noted upon delivery on driver's delivery slip(s). This includes and is not limited to shipping damages, dents, or scratches. Replacements will not be issued for any damaged items that are altered or installed (i.e. handles) unless it is an issue under factory warranty. TSG/Forevermark Cabinetry reserves the right to replace solely the damaged part on both RTA or assembled cabinets, not the cabinet in its entirety. Replacement items ship via LTL or ground carrier. Expedited replacement items or shipping arrangements cannot be accommodated. All damaged items must be submitted at one time. Otherwise, additional charges may occur. Some replacement parts are subject to availability, and may differ from those originally supplied. Please see warranty and dealer catalogue for more information.

Please send photographs of item(s) claimed for replacement to claims@tsgcabinets.com. Photographs must provide evidence of reason for replacement. If photographs are not received within 30 days of claim, TSG/Forevermark Cabinetry reserves the right to charge dealer for replacement items unless arrangements are made to return claimed items.

I, the undersigned, hereby declare the above information to be true and correct to the best of my knowledge.

Form Prepared By (Print Name) _____ Title _____

Signature _____

TERMS & CONDITIONS

Payments

TSG/Forevermark Cabinetry accepts various forms of payment: certified check, credit card, and wire transfer.

**Forevermark Cabinetry reserves the right to request certified check for any order at any time.

Discounts

Please see your sales representative for details on discounts that are offered or promotions. (Note: these discounts are available on products only, not on service fees including assembly fees, freight, modification fees, parts, etc.) Your discount will typically be included in your invoice.

Handling Fees

In order to keep our prices competitive, all invoices are subject to a nominal 5% handling fee, which offsets the costs of handling, shipping, and materials.

Credit Accounts

Forevermark Cabinetry is not opening new credit accounts at this time. Please contact your sales representative for details.

Taxes and Exemptions

TSG requires resale certificates for all dealers in every state except New Jersey and New York. Dealers in NJ and NY will be exempt from tax upon remittance of a copy of their resale certificate, or be charged NJ tax. Resale certificates can be emailed to tsg@tsgcabinets.com or faxed to (732) 372-7669. Tax exemptions and compliance may change or vary by jurisdiction. TSG reserves the right to request or deny statements or documents in accordance with applicable laws.

Returned Checks

Forevermark Cabinetry will charge an \$85 returned check and service fee for all returned checks. In addition, any promotional discounts will be removed from the invoice and the dealer is responsible for paying the difference. Any returned checks must be paid in full before additional shipments can be processed. Forevermark Cabinetry reserves the right to request cash, credit card, or certified check payments for shipments from any dealer with multiple returned checks.

Overdue Accounts

Forevermark Cabinetry reserves the right to charge 3% late fee interest on the 1st of each month on all overdue accounts.

PRICING INDEX

Item #	PRICING																	
	VW	PW	PD	PS	PR	AP	AW	AX	AB	AG	AR	SL	GW	TW	TS	AN	TG	TQ
W1212	161	175	175	175	175	-	175	-	180	180	180	-	-	180	-	-	-	-
W1512	203	225	225	225	225	-	225	-	231	231	231	-	-	231	-	-	-	-
W1812	252	279	279	279	279	-	279	-	288	288	288	-	-	288	-	-	-	-
W2112	299	333	333	333	333	-	333	-	347	347	347	-	-	347	-	-	-	-
W2412B	346	384	384	384	384	-	384	-	399	399	399	-	-	399	-	-	-	-
W2712B	409	455	455	455	455	-	455	-	471	471	471	-	-	471	-	-	-	-
W0930	324	360	360	360	360	360	360	372	372	372	372	372	372	372	372	417	417	417
W1230	360	399	399	399	399	399	399	411	411	411	411	411	411	411	411	462	462	462
W1530	393	435	435	435	435	435	435	450	450	450	450	450	450	450	450	504	504	504
W1830	435	483	483	483	483	483	483	498	498	498	498	498	498	498	498	558	558	558
W2130	528	585	585	585	585	585	585	600	600	600	600	600	600	600	600	672	672	672
W2430B	564	624	624	624	624	624	624	645	645	645	645	645	645	645	645	723	723	723
W2730B	615	681	681	681	681	681	681	702	702	702	702	702	702	702	702	789	789	789
W3030B	636	705	705	705	705	705	705	726	726	726	726	726	726	726	726	816	816	816
W3330B	684	759	759	759	759	759	759	780	780	780	780	780	780	780	780	876	876	876
W3630B	729	807	807	807	807	807	807	834	834	834	834	834	834	834	834	936	936	936
W0936	411	456	456	456	456	456	456	471	471	471	471	471	471	471	471	528	528	528
W1236	435	483	483	483	483	483	483	498	498	498	498	498	498	498	498	558	558	558
W1536	474	525	525	525	525	525	525	540	540	540	540	540	540	540	540	606	606	606
W1836	528	585	585	585	585	585	585	600	600	600	600	600	600	600	600	672	672	672
W2136	630	699	699	699	699	699	699	717	717	717	717	717	717	717	717	804	804	804
W2436B	672	744	744	744	744	744	744	768	768	768	768	768	768	768	768	861	861	861
W2736B	759	843	843	843	843	843	843	870	870	870	870	870	870	870	870	975	975	975
W3036B	822	912	912	912	912	912	912	939	939	939	939	939	939	939	939	1053	1053	1053
W3336B	873	969	969	969	969	969	969	999	999	999	999	999	999	999	999	1119	1119	1119
W3636B	915	1014	1014	1014	1014	1014	1014	1044	1044	1044	1044	1044	1044	1044	1044	1170	1170	1170
W0942	459	507	507	507	507	507	507	519	519	519	519	519	519	519	519	582	582	582
W1242	483	534	534	534	534	534	534	549	549	549	549	549	549	549	549	615	615	615
W1542	525	582	582	582	582	582	582	597	597	597	597	597	597	597	597	669	669	669
W1842	579	642	642	642	642	642	642	663	663	663	663	663	663	663	663	744	744	744
W2142	699	774	774	774	774	774	774	798	798	798	798	798	798	798	798	894	894	894
W2442B	753	834	834	834	834	834	834	858	858	858	858	858	858	858	858	963	963	963
W2742B	876	972	972	972	972	972	972	1002	1002	1002	1002	1002	1002	1002	1002	1125	1125	1125
W3042B	972	1077	1077	1077	1077	1077	1077	1110	1110	1110	1110	1110	1110	1110	1110	1245	1245	1245
W3342B	1026	1137	1137	1137	1137	1137	1137	1170	1170	1170	1170	1170	1170	1170	1170	1311	1311	1311
W3642B	1089	1209	1209	1209	1209	1209	1209	1248	1248	1248	1248	1248	1248	1248	1248	1398	1398	1398
W3012B	366	405	405	405	405	405	405	417	417	417	417	417	417	417	417	468	468	468
W301224B	458	508	508	508	508	-	508	-	524	524	524	-	-	524	-	-	-	-
W3312B	390	432	432	432	432	-	432	447	447	447	447	447	447	447	447	498	498	498
W3612B	411	456	456	456	456	456	456	468	468	468	468	468	468	468	468	525	525	525
W361224B	555	615	615	615	615	615	615	633	633	633	633	633	633	633	633	711	711	711
W2415B	369	408	408	408	408	408	408	417	417	417	417	417	417	417	417	468	468	468
W3015B	411	456	456	456	456	456	456	468	468	468	468	468	468	468	468	525	525	525
W301524B	-	615	615	615	615	615	615	636	636	636	636	636	636	636	636	714	714	714
W3315B	444	492	492	492	492	492	492	507	507	507	507	507	507	507	507	570	570	570
W331524B	-	648	648	648	648	648	648	669	669	669	669	669	669	669	669	750	750	750
W3615B	453	501	501	501	501	501	501	516	516	516	516	516	516	516	516	579	579	579
W361524B	615	681	681	681	681	681	681	702	702	702	702	702	702	702	702	789	789	789

PRICING

Item #	VW	PW	PD	PS	PR	AP	AW	AX	AB	AG	AR	SL	GW	TW	TS	AN	TG	TQ
W2418B	393	435	435	435	435	435	435	450	450	450	450	450	450	450	450	504	504	504
W3018B	453	501	501	501	501	501	501	516	516	516	516	516	516	516	516	579	579	579
W301824B	681	756	756	756	756	756	756	780	780	780	780	780	780	780	780	876	876	876
W3318B	483	534	534	534	534	534	534	549	549	549	549	549	549	549	549	615	615	615
W331824B	690	765	765	765	765	765	765	789	789	789	789	789	789	789	789	885	885	885
W3618B	513	570	570	570	570	570	570	585	585	585	585	585	585	585	585	657	657	657
W361824B	699	774	774	774	774	774	774	798	798	798	798	798	798	798	798	894	894	894
W2424B	504	558	558	558	558	558	558	576	576	576	576	576	576	576	576	648	648	648
W3024B	567	627	627	627	627	627	627	648	648	648	648	648	648	648	648	726	726	726
W302424B	669	741	741	741	741	741	741	765	765	765	765	765	765	765	765	858	858	858
W3324B	606	672	672	672	672	672	672	693	693	693	693	693	693	693	693	777	777	777
W332424B	711	789	789	789	789	789	789	816	816	816	816	816	816	816	816	915	915	915
W3624B	648	720	720	720	720	720	720	741	741	741	741	741	741	741	741	831	831	831
W362424B	756	837	837	837	837	837	837	864	864	864	864	864	864	864	864	969	969	969
WDC2412	375	414	414	414	414	-	414	-	-	426	426	-	-	426	-	-	-	-
WDC2430	810	900	900	900	900	900	900	927	927	927	927	927	927	927	927	1041	1041	1041
WDC2436	1014	1125	1125	1125	1125	1125	1125	1161	1161	1161	1161	1161	1161	1161	1161	1302	1302	1302
WDC2442	1077	1194	1194	1194	1194	1194	1194	1233	1233	1233	1233	1233	1233	1233	1233	1383	1383	1383
WDC273615	-	1740	1740	1740	1740	1740	1740	1755	1755	1755	1755	1755	1755	1755	1755	1968	1968	1968
WDC274215	-	2085	2085	2085	2085	2085	2085	2100	2100	2100	2100	2100	2100	2100	2100	2352	2352	2352
WSQ2430	1284	1383	1383	1383	1383	1383	1383	1425	1425	1425	1425	1425	1425	1425	1425	1596	1596	1596
WSQ2436	1539	1660	1660	1660	1660	1660	1660	1710	1710	1710	1710	1710	1710	1710	1710	1917	1917	1917
WSQ2442	1848	1992	1992	1992	1992	1992	1992	2052	2052	2052	2052	2052	2052	2052	2052	2301	2301	2301
BFP09	-	1467	1467	1467	1467	1467	1467	1488	1488	1488	1488	1488	1488	1488	1488	1668	1668	1668
W2D1848	-	1095	1095	1095	1095	-	1095	1128	1128	1128	1128	1128	1128	1128	1128	1266	1266	1266
W2D1854	-	1279	1279	1279	1279	-	1279	1317	1317	1317	1317	1317	1317	1317	1317	1476	1476	1476
W2D1860	-	1459	1459	1459	1459	-	1459	1503	1503	1503	1503	1503	1503	1503	1503	1686	1686	1686
SB24	759	843	843	843	843	843	843	867	867	867	867	867	867	867	867	972	972	972
SB27B	798	885	885	885	885	885	885	909	909	909	909	909	909	909	909	1020	1020	1020
SB30B*	825	915	915	915	915	915	915	942	942	942	942	942	942	942	942	1056	1056	1056
SB33B	855	948	948	948	948	948	948	978	978	978	978	978	978	978	978	1098	1098	1098
SB36B	891	987	987	987	987	987	987	1011	1011	1011	1011	1011	1011	1011	1011	1134	1134	1134
SB42	-	-	-	-	-	-	-	1275	1305	1305	1305	-	1305	1305	1305	1464	1464	1464
WBLC30/33-3030	834	924	924	924	924	924	924	948	948	948	948	948	948	948	948	1062	1062	1062
WBLC30/33-3036	1101	1221	1221	1221	1221	1221	1221	1251	1251	1251	1251	1251	1251	1251	1251	1404	1404	1404
WBLC30/33-3042	1266	1404	1404	1404	1404	1404	1404	1440	1440	1440	1440	1440	1440	1440	1440	1614	1614	1614
FB09	513	567	567	567	567	-	567	597	597	597	597	-	597	597	597	672	672	672
FB12	578	640	640	640	640	-	640	-	640	-	675	-	-	-	-	-	-	-
FB15	603	669	669	669	669	-	669	-	669	-	703	-	-	-	-	-	-	-
FB18	632	701	701	701	701	-	701	-	701	-	738	-	-	-	-	-	-	-
FB24B	769	843	843	843	843	-	843	-	843	-	867	-	-	-	-	-	-	-
FB30B	825	915	915	915	915	-	915	-	915	-	942	-	-	-	-	-	-	-

PRICING

Item #	VW	PW	PD	PS	PR	AP	AW	AX	AB	AG	AR	SL	GW	TW	TS	AN	TG	TQ
B09	537	594	594	594	594	594	594	627	627	627	627	627	627	627	627	705	705	705
B12	606	672	672	672	672	672	672	708	708	708	708	708	708	708	708	795	795	795
B15	633	702	702	702	702	702	702	738	738	738	738	738	738	738	738	828	828	828
B18	663	735	735	735	735	735	735	774	774	774	774	774	774	774	774	867	867	867
B21	750	831	831	831	831	831	831	873	873	873	873	873	873	873	873	978	978	978
B24B	807	894	894	894	894	894	894	936	936	936	936	936	936	936	936	1050	1050	1050
B27B	867	963	963	963	963	963	963	1008	1008	1008	1008	1008	1008	1008	1008	1131	1131	1131
B30B*	1011	1122	1122	1122	1122	1122	1122	1188	1188	1188	1188	1188	1188	1188	1188	1332	1332	1332
B33B	1056	1173	1173	1173	1173	1173	1173	1242	1242	1242	1242	1242	1242	1242	1242	1392	1392	1392
B36B	1104	1224	1224	1224	1224	1224	1224	1293	1293	1293	1293	1293	1293	1293	1293	1449	1449	1449
FSB30B	-	1302	1302	1302	1302	-	1302	1341	1341	1341	1341	1341	1341	1341	1341	1503	1503	1503
FSB33B	-	1362	1362	1362	1362	-	1362	1404	1404	1404	1404	1404	1404	1404	1404	1575	1575	1575
FSB36B	1278	1419	1419	1419	1419	1419	1419	1464	1464	1464	1464	1464	1464	1464	1464	1641	1641	1641
B30MW (30"W)	1041	1155	1155	1155	1155	1155	1155	1188	1188	1188	1188	1188	1188	1188	1188	1332	1332	1332
2DB15	-	1166	1166	1166	1166	-	-	-	-	-	1245	-	-	-	-	-	-	-
2DB18	-	1194	1194	1194	1194	-	-	-	-	-	1277	-	-	-	-	-	-	-
2DB24	-	1291	1291	1291	1291	-	-	-	-	-	1377	-	-	-	-	-	-	-
2DB30	-	2140	2140	2140	2140	-	2140	-	2172	2172	2172	-	-	2172	-	-	-	2434
2DB36	-	2192	2192	2192	2192	-	2192	-	2243	2243	2243	-	-	2243	-	-	-	2514
DB12(3)	1059	1176	1176	1176	1176	1176	1176	1257	1257	1257	1257	1257	1257	1257	1257	1410	1410	1410
DB15(3)	1107	1227	1227	1227	1227	1227	1227	1311	1311	1311	1311	1311	1311	1311	1311	1470	1470	1470
DB18(3)	1134	1257	1257	1257	1257	1257	1257	1344	1344	1344	1344	1344	1344	1344	1344	1506	1506	1506
DB21(3)	1164	1293	1293	1293	1293	1293	1293	1380	1380	1380	1380	1380	1380	1380	1380	1548	1548	1548
DB24(3)	1224	1359	1359	1359	1359	1359	1359	1449	1449	1449	1449	1449	1449	1449	1449	1623	1623	1623
DB30(3)	2028	2253	2253	2253	2253	2253	2253	2286	2286	2286	2286	2286	2286	2286	2286	2562	2562	2562
DB36(3)	2079	2307	2307	2307	2307	2307	2307	2361	2361	2361	2361	2361	2361	2361	2361	2646	2646	2646
BBLC39/42-36"W	1134	1257	1257	1257	1257	1257	1257	1311	1311	1311	1311	1311	1311	1311	1311	1470	1470	1470
BBLC42/45-39"W	1146	1272	1272	1272	1272	1272	1272	1326	1326	1326	1326	1326	1326	1326	1326	1488	1488	1488
BBLC45/48-42"W	1158	1284	1284	1284	1284	1284	1284	1341	1341	1341	1341	1341	1341	1341	1341	1503	1503	1503
BDCF36	1473	1635	1635	1635	1635	1635	1635	1689	1689	1689	1689	1689	1689	1689	1689	1893	1893	1893
BDCF36K-FL	444	492	492	492	492	492	492	507	507	507	507	507	507	507	507	570	570	570
LS3309	1461	1623	1623	1623	1623	1623	1623	1677	1677	1677	1677	1677	1677	1677	1677	1881	1881	1881
LS3612	1578	1752	1752	1752	1752	1752	1752	1812	1812	1812	1812	1812	1812	1812	1812	2031	2031	2031
LS3612S (EZR3612)	1398	1551	1551	1551	1551	1551	1551	1635	1635	1635	1635	1635	1635	1635	1635	1833	1833	1833
OC3384B	3005	3306	3306	3306	3306	3306	3306	3459	3459	3459	3459	3459	3459	3459	3459	3876	3876	3876
OC3390B	3246	3570	3570	3570	3570	3570	3570	3732	3732	3732	3732	3732	3732	3732	3732	4182	4182	4182
OC3396B	3464	3810	3810	3810	3810	3810	3810	3981	3981	3981	3981	3981	3981	3981	3981	4461	4461	4461
OM3384B	-	3120	3120	3120	3120	-	3120	3264	3264	3264	3264	3264	3264	3264	3264	3657	3657	3657
OM3390B	-	3369	3369	3369	3369	-	3369	3522	3522	3522	3522	3522	3522	3522	3522	3945	3945	3945
OM3396B	-	3597	3597	3597	3597	-	3597	3756	3756	3756	3756	3756	3756	3756	3756	4209	4209	4209

PRICING

Item #	VW	PW	PD	PS	PR	AP	AW	AX	AB	AG	AR	SL	GW	TW	TS	AN	TG	TQ
WP1584	1629	1809	1809	1809	1809	1809	1809	1863	1863	1863	1863	1863	1863	1863	1863	2088	2088	2088
WP1590	1749	1941	1941	1941	1941	1941	1941	2004	2004	2004	2004	2004	2004	2004	2004	2247	2247	2247
WP1596	1866	2073	2073	2073	2073	2073	2073	2142	2142	2142	2142	2142	2142	2142	2142	2400	2400	2400
WP1884	1824	2025	2025	2025	2025	2025	2025	2088	2088	2088	2088	2088	2088	2088	2088	2340	2340	2340
WP1890	1959	2175	2175	2175	2175	2175	2175	2244	2244	2244	2244	2244	2244	2244	2244	2514	2514	2514
WP1896	2091	2322	2322	2322	2322	2322	2322	2400	2400	2400	2400	2400	2400	2400	2400	2688	2688	2688
WP2484B	2283	2535	2535	2535	2535	2535	2535	2616	2616	2616	2616	2616	2616	2616	2616	2931	2931	2931
WP2490B	2454	2724	2724	2724	2724	2724	2724	2814	2814	2814	2814	2814	2814	2814	2814	3153	3153	3153
WP2496B	2625	2916	2916	2916	2916	2916	2916	3012	3012	3012	3012	3012	3012	3012	3012	3375	3375	3375
WP3084B	2778	3085	3085	3085	-	-	3085	-	-	-	-	-	-	3183	-	-	-	-
WP3090B	2980	3308	3308	3308	-	-	3308	-	-	-	-	-	-	3417	-	-	-	-
WP3096B	3193	3547	3547	3547	-	-	3547	-	-	-	-	-	-	3664	-	-	-	-
BTC12L	636	705	705	705	705	705	705	726	726	726	726	726	726	726	726	816	816	816
BTC12R	636	705	705	705	705	705	705	726	726	726	726	726	726	726	726	816	816	816
AW30	552	612	612	612	612	612	612	633	633	633	633	633	633	633	633	711	711	711
AW36	663	735	735	735	735	735	735	759	759	759	759	759	759	759	759	852	852	852
AW42	777	861	861	861	861	861	861	888	888	888	888	888	888	888	888	996	996	996
AB24 (BASE)	1401	1554	1554	1554	1554	1554	1554	1605	1605	1605	1605	1605	1605	1605	1605	1800	1800	1800
WES530	270	270	270	303	303	270	270	270	270	270	303	270	270	270	270	303	303	303
WES536	324	324	324	363	363	324	324	324	324	324	363	324	324	324	324	363	363	363
WES542	381	381	381	429	429	381	381	381	381	381	429	381	381	381	381	429	429	429
W1212GD*	162	162	162	182	182	-	162	-	162	162	182	-	-	162	-	-	-	-
W1512GD*	173	173	173	194	194	-	173	-	173	173	194	-	-	173	-	-	-	-
W1812GD*	215	215	215	241	241	-	215	-	215	215	241	-	-	215	-	-	-	-
W2112GD*	256	256	256	287	287	-	256	-	256	256	287	-	-	256	-	-	-	-
W2412BGD	273	273	273	306	306	-	273	-	273	273	306	-	-	273	-	-	-	-
W2712BGD	278	278	278	312	312	-	278	-	278	278	312	-	-	278	-	-	-	-
W3012BGD	282	282	282	316	316	-	282	282	282	282	316	-	-	282	282	316	-	316
W3312BGD	305	305	305	342	342	-	305	-	305	305	342	-	-	305	-	-	-	-
W3612BGD	330	330	330	370	370	-	330	-	330	330	370	-	-	330	-	-	-	-
W1530GD	243	243	243	273	273	243	243	243	243	243	273	-	-	243	243	273	273	273
W1530MGD	-	-	-	-	-	-	-	-	-	-	-	267	267	267	267	300	300	300
W1830GD	321	321	321	360	360	321	321	321	321	321	360	-	-	321	321	360	360	360
W1830MGD	-	-	-	-	-	-	-	-	-	-	-	354	354	354	354	399	399	399
W2430BGD	426	426	426	459	459	-	426	-	-	426	459	-	-	-	-	459	-	-
W2430BMGD	-	-	-	-	-	-	-	-	-	-	-	469	469	469	469	-	504	504
W3030BGD	495	495	495	555	555	495	495	495	495	495	555	-	-	495	495	555	555	555
W3030BMGD	-	-	-	-	-	-	-	-	-	-	-	546	546	546	546	612	612	612
W3630BGD	729	729	729	819	819	729	729	729	729	729	819	-	-	729	729	819	819	819
W3630BMGD	-	-	-	-	-	-	-	-	-	-	-	802	802	-	802	903	903	-
WDC2412GD*	252	252	252	283	283	-	252	-	-	252	283	-	-	252	-	-	-	-
WDC2430GD	261	261	261	294	294	261	261	261	261	261	294	-	-	261	261	294	294	294
WDC2430MGD	-	-	-	-	-	-	-	-	-	-	-	288	288	288	288	324	324	324
W1536GD	288	288	288	324	324	288	288	288	288	288	324	-	-	288	288	324	324	324
W1536MGD	-	-	-	-	-	-	-	-	-	-	-	318	318	318	318	357	357	357
W1836GD	384	384	384	432	432	384	384	384	384	384	432	-	-	384	384	432	432	432
W1836MGD	-	-	-	-	-	-	-	-	-	-	-	423	423	423	423	474	474	474
W2436BGD	492	492	492	531	531	-	492	-	-	492	531	-	-	-	-	531	-	-

PRICING

Item #	VW	PW	PD	PS	PR	AP	AW	AX	AB	AG	AR	SL	GW	TW	TS	AN	TG	TQ
W2436BMGD	-	-	-	-	-	-	-	-	-	-	-	510	510	510	510	-	573	573
W3036BGD	561	561	561	630	630	561	561	561	561	561	630	-	-	561	561	630	630	630
W3036BMGD	-	-	-	-	-	-	-	-	-	-	-	618	618	618	618	693	693	693
W3636BGD	783	783	783	879	879	783	783	783	783	783	879	-	-	783	783	879	879	879
W3636BMGD	-	-	-	-	-	-	-	-	-	-	-	862	862	-	862	969	969	-
WDC2436GD	312	312	312	351	351	312	312	312	312	312	351	-	-	312	312	351	351	351
WDC2436MGD	-	-	-	-	-	-	-	-	-	-	-	342	342	342	342	384	384	384
WDC273615GD	369	369	369	414	414	369	369	369	369	369	414	-	-	369	369	414	414	414
WDC273615MGD	-	-	-	-	-	-	-	-	-	-	-	408	408	408	408	459	459	459
W1542GD	339	339	339	381	381	339	339	339	339	339	381	-	-	339	339	381	381	381
W1542MGD	-	-	-	-	-	-	-	-	-	-	-	372	372	372	372	417	417	417
W1842GD	447	447	447	501	501	447	447	447	447	447	501	-	-	447	447	501	501	501
W1842MGD	-	-	-	-	-	-	-	-	-	-	-	492	492	492	492	552	552	552
W2442BGD	597	597	597	639	639	-	597	-	-	597	639	-	-	-	-	639	-	-
W2442BMGD	-	-	-	-	-	-	-	-	-	-	-	656	656	656	656	-	684	684
W3042BGD	693	693	693	777	777	693	693	693	693	693	777	-	-	693	693	777	777	777
W3042BMGD	-	-	-	-	-	-	-	-	-	-	-	765	765	765	765	855	855	855
W3642BGD	969	969	969	1086	1086	969	969	969	969	969	1086	-	-	969	969	1086	1086	1086
W3642BMGD	-	-	-	-	-	-	-	-	-	-	-	1065	1065	-	1065	1197	1197	-
WDC2442GD	366	366	366	411	411	366	366	366	366	366	411	-	-	366	366	411	411	411
WDC2442MGD	-	-	-	-	-	-	-	-	-	-	-	402	402	402	402	453	453	453
WDC274215GD	-	450	450	504	504	450	450	450	450	450	504	-	-	450	450	504	504	504
WDC274215MGD	-	-	-	-	-	-	-	-	-	-	-	495	495	495	495	555	555	555
EPW1212D	190	206	206	206	206	-	206	-	213	213	213	-	-	213	-	-	-	-
EPW1230D	201	222	222	222	222	222	222	228	228	228	228	228	228	228	228	258	258	258
EPW1236D	243	270	270	270	270	270	270	279	279	279	279	279	279	279	279	315	315	315
EPW1242D	294	324	324	324	324	324	324	333	333	333	333	333	333	333	333	375	375	375
EPB24D	507	561	561	561	561	561	561	579	579	579	579	579	579	579	579	651	651	651
EPWP2484D	-	711	711	711	711	711	711	717	717	717	717	717	717	717	717	804	804	804
EPWP2490D	-	804	804	804	804	804	804	807	807	807	807	807	807	807	807	906	906	906
EPWP2496D	-	900	900	900	900	900	900	918	918	918	918	918	918	918	918	993	993	993
SB30B-ND-SP	-	-	-	-	-	-	-	-	-	-	-	879	879	879	-	-	-	-
SB33B-ND-SP	-	-	-	-	-	-	-	-	-	-	-	921	921	921	-	-	-	-
SB36B-ND-SP	-	-	-	-	-	-	-	-	-	-	-	966	966	966	-	-	-	-
AWH36	1536	1536	-	-	-	1536	1536	1536	1536	1536	-	1536	1536	1536	1536	1722	1722	1722
CWH36	-	1827	1827	2049	2049	-	-	1827	1827	1827	2049	1827	1827	1827	1827	2049	2049	2049
EWH36	2432	2432	2432	2728	2728	-	2432	-	-	-	2728	-	-	2432	-	-	-	-
W3018WR	591	591	591	663	663	591	591	591	591	591	663	591	591	591	591	663	663	663
TCR21-2	1008	1008	1008	1008	1008	1008	1008	1008	1008	1008	1008	1008	1008	1008	1008	1008	1008	1008
WC630	453	453	453	510	510	-	453	453	453	453	510	-	453	453	453	510	510	510
WC636	534	534	534	600	600	-	534	534	534	534	600	-	534	534	534	600	600	600
WC642	615	615	615	690	690	-	615	615	615	615	690	-	615	615	615	690	690	690
MWO3018PM-12	501	501	501	564	564	501	501	501	501	501	564	501	501	501	501	564	564	564
15RT-DR	294	294	294	294	294	294	294	294	294	294	294	294	294	294	294	294	294	294
18RT-DR	330	330	330	330	330	330	330	330	330	330	330	330	330	330	330	330	330	330
21RT-DR	346	346	346	346	346	346	346	346	346	346	346	346	346	346	346	346	346	346

PRICING

Item #	VW	PW	PD	PS	PR	AP	AW	AX	AB	AG	AR	SL	GW	TW	TS	AN	TG	TQ
24RT-DR	360	360	360	360	360	360	360	360	360	360	360	360	360	360	360	360	360	360
27RT-DR	397	397	397	397	397	397	397	397	397	397	397	397	397	397	397	397	397	397
30RT-DR	434	434	434	434	434	434	434	434	434	434	434	434	434	434	434	434	434	434
33RT-DR	527	527	527	527	527	527	527	527	527	527	527	527	527	527	527	527	527	527
36RT-DR	621	621	621	621	621	621	621	621	621	621	621	621	621	621	621	621	621	621
FLS24-BROWN (AR/PR)	338	338	338	338	338	338	338	338	338	338	338	338	338	338	338	338	338	338
FLS30-BROWN (AR/PR)	398	398	398	398	398	398	398	398	398	398	398	398	398	398	398	398	398	398
FLS36-BROWN (AR/PR)	487	487	487	487	487	487	487	487	487	487	487	487	487	487	487	487	487	487
FLS42-BROWN (AR/PR)	547	547	547	547	547	547	547	547	547	547	547	547	547	547	547	547	547	547
FLS24-WHITE	263	263	263	263	263	263	263	263	263	263	263	263	263	263	263	263	263	263
FLS30-WHITE	305	305	305	305	305	305	305	305	305	305	305	305	305	305	305	305	305	305
FLS36-WHITE	376	376	376	376	376	376	376	376	376	376	376	376	376	376	376	376	376	376
FLS42-WHITE	417	417	417	417	417	417	417	417	417	417	417	417	417	417	417	417	417	417
DWR33412	240	240	240	270	270	240	240	240	240	240	270	240	240	240	240	270	270	270
REP2484-3/4"	627	627	627	705	705	627	627	627	627	627	705	627	627	627	627	705	705	705
REP2496-3/4"	717	717	717	804	804	717	717	717	717	717	804	717	717	717	717	804	804	804
REP2484(3)-3/4"	726	726	726	816	816	726	726	726	726	726	816	726	726	726	726	816	816	816
REP2496(3)-3/4"	867	867	867	972	972	867	867	867	867	867	972	867	867	867	867	972	972	972
REP3096(3)-3/4"	1176	1176	1176	1320	1320	1176	1176	1176	1176	1176	1320	1176	1176	1176	1176	1320	1320	1320
FBP483614(1)	285	285	285	321	321	285	285	285	285	285	321	285	285	285	285	321	321	321
FBP369614(1)	480	480	480	540	540	480	480	480	480	480	540	480	480	480	480	540	540	540
FBP489614(1)	507	507	507	570	570	507	507	507	507	507	570	507	507	507	507	570	570	570
BP48341214	477	477	477	537	537	477	477	477	477	477	537	477	477	477	477	537	537	537
TK8	147	147	147	165	165	147	147	147	147	147	165	147	147	147	147	165	165	165
VAS48	126	126	-	-	-	126	126	-	-	-	-	126	-	-	-	-	-	-
VAD3612	345	345	345	390	390	345	345	-	-	-	390	345	345	-	-	-	-	390
VAD4212	435	435	435	492	492	435	435	-	-	-	492	435	435	-	-	-	-	492
VAD4812	546	-	-	-	-	546	546	-	-	-	-	546	546	-	-	-	-	618
VAL48B	-	339	-	-	-	-	339	-	-	-	-	339	339	339	-	-	381	381
VAL54B	-	369	-	-	-	-	369	-	-	-	-	369	369	369	-	-	414	414
VAL48S	339	339	339	381	381	339	339	339	339	339	381	-	339	339	339	381	-	-
VAL54S	369	369	-	-	-	369	369	369	369	369	-	-	369	369	369	414	-	-
SC1-3 (SM)	60	60	60	69	69	60	60	60	60	60	69	60	60	60	60	69	69	69
SC4 (ICM)	87	87	87	99	99	87	87	87	87	87	99	87	87	87	87	99	99	99
SC5 (OCM)	84	84	84	96	96	84	84	84	84	84	96	84	84	84	84	96	96	96
SC6 (SM) NEW	96	96	96	111	111	-	96	96	96	96	111	96	96	96	96	111	111	111
SC8 (BM) NEW	90	90	90	105	105	-	90	90	90	90	105	90	90	90	90	105	105	105
LRM8	243	243	243	273	273	243	243	243	243	243	273	243	243	243	243	273	273	273
TLRM8	594	594	594	666	666	594	594	594	594	594	666	594	594	594	594	666	666	666
SLRM8	594	594	594	666	666	-	594	-	-	-	666	-	594	594	-	-	-	-

PRICING

Item #	VW	PW	PD	PS	PR	AP	AW	AX	AB	AG	AR	SL	GW	TW	TS	AN	TG	TQ
CM96	222	222	222	249	249	222	222	222	222	222	249	222	222	222	222	249	249	249
CM96-4	357	357	357	405	405	357	357	357	357	-	405	357	357	357	-	-	-	405
CM96B-4	-	-	-	-	-	-	-	-	-	-	-	489	-	-	-	-	-	-
CM96C-4	-	489	-	-	-	-	-	-	-	-	-	489	489	489	-	-	-	-
CM96E-4	468	468	-	-	-	468	468	-	-	-	-	-	468	468	-	-	-	-
CM96H-4	357	357	357	402	402	357	357	357	357	357	402	357	357	357	357	402	402	402
CM96K-4	420	420	420	471	471	420	420	420	420	420	471	-	420	420	420	471	471	-
TP3/WF34-1/2"	621	621	621	705	705	621	621	-	-	-	705	621	621	621	-	-	-	705
LEG28 B3X3	-	-	-	-	-	-	-	-	-	-	-	750	-	-	-	-	-	849
LEG75 B3X3	750	750	750	840	840	-	750	-	750	750	840	-	750	750	750	840	840	840
LEG81	525	525	-	-	-	525	525	-	-	-	-	525	525	525	-	-	-	594
LEG82	498	498	-	-	-	498	498	-	-	-	-	-	-	-	-	-	-	-
LEG83*	582	582	-	-	-	-	-	-	-	-	-	582	582	582	-	-	-	660
POLE28-B3	-	-	-	-	-	-	-	-	-	-	-	681	-	-	-	-	-	771
POLE28-W330	-	-	-	-	-	-	-	-	-	-	-	378	-	-	-	-	-	429
POLE28-W336	-	-	-	-	-	-	-	-	-	-	-	417	-	-	-	-	-	474
POLE28-W342	-	-	-	-	-	-	-	-	-	-	-	480	-	-	-	-	-	543
POLE28-T384	-	-	-	-	-	-	-	-	-	-	-	825	-	-	-	-	-	-
POLE28-T390	-	-	-	-	-	-	-	-	-	-	-	873	-	-	-	-	-	-
POLE28-T396	-	-	-	-	-	-	-	-	-	-	-	924	-	-	-	-	-	-
POLE75-B3	681	681	681	765	765	-	681	681	681	681	765	-	681	681	681	765	765	765
POLE75-W330	378	378	-	-	-	-	378	-	378	378	-	-	378	378	378	426	426	426
POLE75-W336	417	417	-	-	-	-	417	-	417	417	-	-	417	417	417	468	468	468
POLE75-W342	480	480	-	-	-	-	480	-	480	480	-	-	480	480	480	540	540	540
POLE75-T384	825	825	-	-	-	-	825	-	825	825	-	-	825	825	825	924	924	924
POLE75-T390	873	873	-	-	-	-	873	-	873	873	-	-	873	873	873	978	978	978
POLE75-T396	924	924	-	-	-	-	924	-	924	924	-	-	924	924	924	1035	1035	1035
WF3-3/4	66	66	66	75	75	66	66	66	66	66	75	66	66	66	66	75	75	75
WF336-3/4	81	81	81	93	93	81	81	81	81	81	93	81	81	81	81	93	93	93
WF342-3/4	102	102	102	117	117	102	102	102	102	102	117	102	102	102	102	117	117	117
WF384-3/4	189	189	189	213	213	189	189	189	189	189	213	189	189	189	189	213	213	213
WF396-3/4	222	222	222	249	249	222	222	222	222	222	249	222	222	222	222	249	249	249
WF6-3/4	135	135	135	153	153	135	135	135	135	135	153	135	135	135	135	153	153	153
WF642-3/4	198	198	198	222	222	198	198	198	198	198	222	198	198	198	198	222	222	222
WF696-3/4	435	435	435	489	489	435	435	435	435	435	489	435	435	435	435	489	489	489
BF3-3/4	108	108	108	123	123	108	108	108	108	108	123	108	108	108	108	123	123	123
BF6-3/4	183	183	183	207	207	183	183	183	183	183	207	183	183	183	183	207	207	207
A30WF	108	108	-	-	-	108	108	-	-	-	-	108	108	108	-	-	-	123
A36WF	135	135	-	-	-	135	135	-	-	-	-	135	135	135	-	-	-	153
A42WF	153	153	-	-	-	153	153	-	-	-	-	153	153	153	-	-	-	174
A3BF	147	147	-	-	-	147	147	-	-	-	-	147	147	147	-	-	-	168
A6BF	306	306	-	-	-	306	306	-	-	-	-	306	306	306	-	-	-	348
CLB334-1/2	510	510	510	573	573	-	510	510	510	510	573	510	510	510	510	573	573	573
CLW330	330	330	330	372	372	-	330	330	330	330	372	330	330	330	330	372	372	372
CLW336	393	393	393	441	441	-	393	393	393	393	441	393	393	393	393	441	441	441
CLW342	459	459	459	516	516	-	459	459	459	459	516	459	459	459	459	516	516	516
CLW396	1530	1530	1530	1716	1716	-	1530	1530	1530	1530	1716	1530	1530	1530	1530	1716	1716	1716

PRICING

Item #	VW	PW	PD	PS	PR	AP	AW	AX	AB	AG	AR	SL	GW	TW	TS	AN	TG	TQ
OLF330	66	66	66	75	75	-	66	66	66	66	75	66	66	66	66	75	75	75
OLF336	81	81	81	93	93	-	81	81	81	81	93	81	81	81	81	93	93	93
OLF342	102	102	102	117	117	-	102	102	102	102	117	102	102	102	102	117	117	117
OLF630	123	123	123	138	138	-	123	123	123	123	138	123	123	123	123	138	138	138
OLF636	162	162	162	183	183	-	162	162	162	162	183	162	162	162	162	183	183	183
OLF642	180	180	180	204	204	-	180	180	180	180	204	180	180	180	180	204	204	204
OLF384	285	285	-	-	-	-	285	285	285	285	-	285	285	285	285	321	321	321
OLF390	339	339	-	-	-	-	339	339	339	339	-	339	339	339	339	381	381	381
OLF396	387	387	-	-	-	-	387	387	387	387	-	387	387	387	387	435	435	435
BM4-1/2"-5/8"	348	348	348	390	390	348	348	348	348	348	390	348	348	348	348	390	390	390
DOA	-	-	-	-	-	609	-	-	-	-	-	609	-	-	-	-	-	-
CORBEL56	381	381	-	-	-	-	381	-	-	-	-	381	381	381	-	-	-	432
CORBEL57	594	594	-	-	-	-	594	-	-	-	-	594	594	594	-	-	-	672
CORBEL58	-	-	-	-	-	513	-	-	-	-	-	-	-	-	-	-	-	-
CORBEL59	285	285	285	321	321	285	285	-	285	285	321	-	285	285	285	321	321	321
CORBEL60S	540	540	-	-	-	-	540	-	-	-	-	540	540	540	-	-	-	540
CORBEL60L	-	-	-	-	-	-	-	-	-	-	-	1170	-	-	-	-	-	-
CORBEL75S	477	477	-	-	-	-	477	-	477	477	-	-	477	477	477	537	537	537
CORBEL75M	651	651	-	-	-	-	651	-	651	651	-	-	651	651	651	732	732	732
CORBEL75L	690	690	-	-	-	-	690	-	690	690	-	-	690	690	690	774	774	774
S3021DL-34-1/2"	-	1311	1311	1311	1311	1311	1311	1341	1341	1341	1341	1341	1341	1341	1341	1503	1503	1503
S3021DR-34-1/2"	-	1311	1311	1311	1311	1311	1311	1341	1341	1341	1341	1341	1341	1341	1341	1503	1503	1503
S3621BDL-34-1/2"	-	1494	1494	1494	1494	1494	1494	1536	1536	1536	1536	1536	1536	1536	1536	1722	1722	1722
S3621BDR-34	-	1494	1494	1494	1494	1494	1494	1536	1536	1536	1536	1536	1536	1536	1536	1722	1722	1722
S4821B12D-34	-	2013	2013	2013	2013	2013	2013	2097	2097	2097	2097	2097	2097	2097	2097	2349	2349	2349
S2421B-34-1/2"	-	726	726	726	726	726	726	750	750	750	750	750	750	750	750	840	840	840
S3021B-34-1/2"	-	921	921	921	921	921	921	945	945	945	945	945	945	945	945	1059	1059	1059
S3621B-34-1/2"	-	1104	1104	1104	1104	1104	1104	1140	1140	1140	1140	1140	1140	1140	1140	1278	1278	1278
SVB1221-34-1/2"	-	1386	1386	1386	1386	1386	1386	1428	1428	1428	1428	1428	1428	1428	1428	1602	1602	1602
SVB1521-34-1/2"	-	1449	1449	1449	1449	1449	1449	1494	1494	1494	1494	1494	1494	1494	1494	1674	1674	1674
SVDU3021-7"	-	402	402	402	402	402	402	408	408	408	408	408	408	408	408	459	459	459



As seen on

